



# HENDI

Tools for Chefs

## MICROWAVE 1000W

281352



You should read this user manual carefully before using the appliance.

Bevor Sie das Gerät in Betrieb nehmen, sollten Sie diese Gebrauchsanweisung aufmerksam lesen.

Alvorens de apparatuur in gebruik te nemen dient u deze gebruiksaanwijzing aandachtig te lezen.

Przed uruchomieniem urządzenia należy koniecznie dokładnie przeczytać niniejszą instrukcję obsługi.

Lisez attentivement ce mode d'emploi avant d'utiliser l'appareil .

Prima di utilizzare l'apparecchio in funzione leggere attentamente le istruzioni per l'uso.

Citiți cu atenție prezentul manual de utilizare înainte de folosirea aparatului.

Внимательно прочитайте руководство пользователя перед использованием прибора.

Πρέπει να διαβάσετε αυτές τις οδηγίες χρήσης προσεκτικά πριν χρησιμοποιήσετε τη συσκευή.



Keep these instructions with the appliance.  
Diese Gebrauchsanweisung bitte beim Gerät aufbewahren.  
Bewaar deze handleiding bij het apparaat.  
Zachowaj instrukcję urządzenia  
Gardez ces instructions avec cet appareil.  
Conservate le istruzioni insieme all'apparecchio.  
Păstrați manualul de utilizare alături de aparat.  
Хранить руководство вместе с устройством.  
Φυλάξτε αυτές τις οδηγίες μαζί με τη συσκευή.




For indoor use only.  
Nur zur Verwendung im Innenbereich.  
Alleen voor gebruik binnenshuis.  
Do użytku wewnątrz pomieszczeń.  
Pour l'usage à l'intérieur seulement.  
Destinato solo all'uso domestico.  
Doar pentru uz la interior.  
Использовать только в помещениях.  
Για χρήση μόνο σε εσωτερικό χώρο.



Dear Customer,

Thank you for purchasing this HENDI appliance. Please read this manual carefully before connecting the appliance in order to prevent damage due to incorrect use. Read the safety regulations in particular very carefully.

## Safety regulations

- This appliance is intended for commercial use.
- Only use the appliance for the intended purpose it was designed for as described in this manual.
- The manufacturer is not liable for any damage caused by incorrect operation and improper use.
- Keep the appliance and electrical plug away from water and other liquids. In the event the appliance falls into water, immediately remove the power plug from the socket. Do not use the appliance until it has been checked by a certified technician. Failure to follow these instructions will cause life threatening risks.
- Never attempt to open the housing of the appliance by yourself.
- Do not insert objects into the housing of the appliance.
- Do not touch the plug with wet or damp hands.
-  **DANGER OF ELECTRIC SHOCK!** Do not attempt to repair the appliance by yourself, repairs are only to be conducted by qualified personnel.
- **Never use a damaged appliance!** When it's damaged, disconnect the appliance from the socket and contact the retailer.
- **WARNING!** Do not immerse the electrical parts of the appliance in water or other liquids.
- Never hold the appliance under running water.
- Regularly check the power plug and cord for any damage. When damaged it must be replaced by a service agent or similarly qualified person in order to avoid danger or injury.
- Make sure the cord does not come in contact with sharp or hot objects and keep it away from open fire. Never pull the power cord to unplug it from the socket, always pull the plug instead.
- Make sure that the power cord and/or extension cord do not cause a trip hazard.
- Never leave the appliance unattended during use.
- **WARNING!** As long as the plug is in the socket the appliance is connected to the power source.
- Turn off the appliance before unplugging it from the socket.
- Connect the power plug to an easily accessible electrical socket so that in case of emergency the appliance can be unplugged immediately.
- Never carry the appliance by the cord.
- Do not use any extra devices that are not supplied together with the appliance.
- Only connect the appliance to an electrical outlet with the voltage and frequency mentioned on the appliance label.


EN



- Never use accessories other than those recommended by the manufacturer. Failure to do so could pose a safety risk to the user and could damage the appliance. Only use original parts and accessories.
- This appliance should not be operated by persons with reduced physical, sensory or mental capabilities, or persons that have a lack of experience and knowledge.
- This appliance should, under any circumstances, not be used by children.
- Keep the appliance and its power cord out of reach of children.
- **WARNING:** ALWAYS switch off the appliance and unplug from power socket before cleaning, maintenance or storage.

## Special safety regulations

**WARNING:** Liquids and other foods must not be heated in sealed containers since they are liable to explode.

- Never use this microwave without any food inside, it's very dangerous.
- This microwave is intended for heating food and beverages. Drying of food or clothing and heating of warming pads, slippers, sponges, damp clothes and similar may lead to fire.
- Use the appliance only as described in this manual.
- This appliance should be operated by trained personnel in kitchen of the restaurant, canteens or bar staff, etc.
- This appliance is intended to be used in similar applications such as:
  - staff kitchen areas in shops, offices and other working environments;
  - farm houses;
  - by clients in hotels, motels and other residential environments;
  - bed and breakfast type environments.
-  **CAUTION! Hot surface!** The temperature of the glass door and other accessible surfaces are very high during use. Touch the control panel only.
- This microwave should be cleaned regularly and any food deposits removed.
- This microwave is not to be operated by means of an external timer or separate remote control.
- Do not attempt to operate this microwave with the door open since this can result in harmful exposure to microwave energy. It is important not to break or tamper with the safety interlocks.
- Do not place any object between the microwave front face and the door or allow soil or cleaner residue to accumulate on sealing surfaces.
- **WARNING:** If the door or door seals are damaged, the microwave must not be operated until it has been repaired by a certified technician.
- If the microwave isn't maintained in a good state of cleanliness, its surface could be degraded and affect the lifespan of the microwave and lead to dangerous situations.
- Check if the grease filter and air filter are properly installed before using the microwave.

- **WARNING:** It is hazardous for anyone other than a certified technician to carry out any service or repair operation that involves the removal of a cover which gives protection against exposure to microwave energy.
- Only use utensils suitable for use in microwaves. Do not use containers or cutlery made from or containing metal, aluminium foil, lead crystal glassware, temperature-sensitive plastics, wood or metal clips or wire ties. Do not use bowls with milled rims or plastic pots with the lid partially removed. Risk of fire.
- When heating food in plastic or paper containers, keep an eye on the oven due to the possibility of ignition.
- If smoke is observed, switch off or unplug the microwave and keep the door closed in order to stifle any flames.
- Do not use the oven cavity for storage purposes. Do not store items, such as bread, cookies, etc. inside the oven.
- Remove wire twist-ties and metal handles from paper or plastic containers/bags before placing them in the oven.
- Eggs in the shell and whole hard-boiled eggs should not be heated in microwaves since they may explode, even after microwave heating has ended.
- The temperature of accessible surfaces may be high when the microwave is operating.
- **WARNING:** The contents of feeding bottles and baby food jars shall be stirred or shaken and the temperature checked before consumption, in order to avoid burns.
- **WARNING:** Microwave heating of beverages can result in delayed eruptive boiling, therefore care must be taken when handling the container.
- The microwave shall not be placed in a cabinet unless it has been tested in a cabinet.
- Microwaves are not intended to be operated by means of an external timer or separate remote-control system.
- The door or the outer surface may get hot when the microwave is operating.
- The ceramic board inside the microwave chamber can become hot, don't touch it after use to prevent the risk of burn wounds.
- Never press down on the ceramic board forcefully.
- Place items gently inside the microwave chamber otherwise the ceramic board might be damaged.
- Do not place objects on the top of the appliance. Allow at least 15 cm of free space from the top surface of the appliance.
- The lamp inside the appliance is used for lighting. this lamp is not used for room illumination.
- Can cause burns. The appliance will become hot when it is in use. Please make sure that you do not touch the heating elements in the cooking cavity.
- Can cause burns. Cookware can also be heated by the heated food. Therefore, always use potholders when you are removing cooked food from the appliance.



- Please ensure that the door closes properly when in use.
- **DANGER! Electric Shock Hazard** Touching some of the internal components can cause serious personal injury or death. Do not disassemble this microwave.
- **WARNING! Electric Shock Hazard** Improper use of the grounding can result in electric shock. Do not plug into an outlet until microwave is properly installed and grounded.

#### Intended use

- This appliance is intended for professional use.
- The microwave is designed only for heating and defrosting of food products using appropriate dishes. Any other use may lead to damage to the microwave or personal injury.
- Operating the appliance for any other purpose shall be deemed a misuse of the device. The user shall be solely liable for improper use of the device.

#### Grounding installation

This appliance is classified as **protection class I** and must be connected to a protective ground. Grounding reduces the risk of electric shock by providing an escape wire for the electric cur-

rent. This appliance is fitted with a power cord that has a grounding wire and grounded plug. The plug must be plugged into an outlet that is properly installed and grounded.

#### Utensils

There may be certain non-metallic utensils that are not safe to use for microwaving. If in doubt,

you can test the utensil in question following the procedure below.

#### Utensil Test:

Fill a microwave-safe container with 1 cup of cold water (250ml) along with the utensil in question.

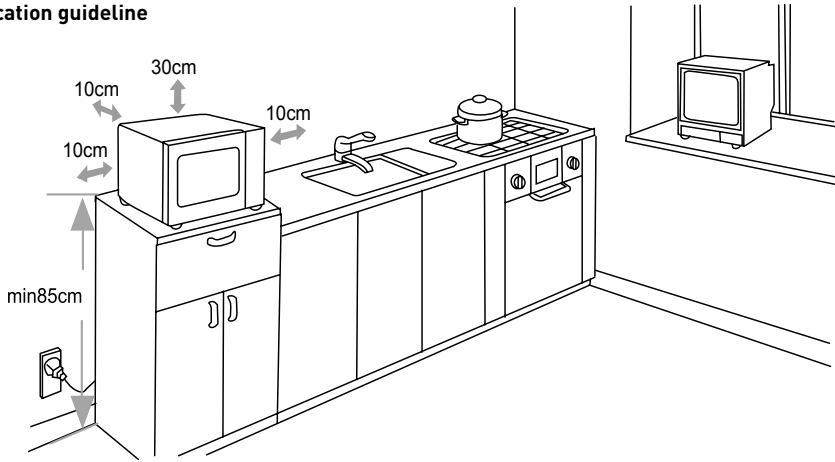
Cook on maximum power for 1 minute. Care-

fully feel the utensil. If the empty utensil is warm, do not use it for microwave cooking. Do not exceed 1 minute cooking time.

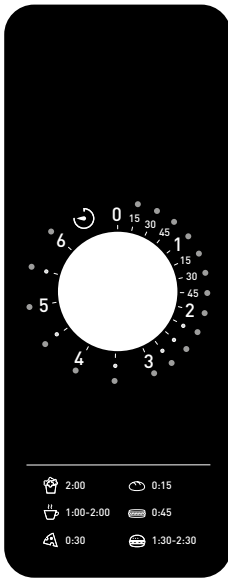
#### Preparations before first use

- Remove all packing material and accessories.
- Examine the oven for any damage such as dents or broken door. Do not install if oven is damaged.
- Remove any protective film found on the microwave cabinet surface.
- Keep the packaging if you intend to store your appliance in the future.
- Clean the inside of the microwave with luke-warm water and a soft cloth.
- Clean the components.
- Place the microwave on a level surface.
- Keep an open space of at least 10 cm around the microwave and 30 cm from top to ensure proper ventilation.
- Do not place anything on top of the microwave – risk of an ignition.
- Position the microwave so that the plug can always be reached.
- Place the oven as far away from radios and TV as possible. Operation of microwave may cause interference to your radio or TV reception.

## Location guideline



## Operation



Rotating time control

Connect the power plug to a suitable electrical outlet, the buzzer will sound once to indicate it is ready for use. Open the door and place the food inside the microwave. Close the door and turn the rotating time control to the desired cooking time. The microwave will start immediately. The power level is fixed and can't be adjusted. When the cooking time is finished the buzzer will sound several times and the microwave will go back into ready mode.

EN

Note: The power level is fixed and cannot be adjusted. The cooking time description for different food under rotating time control is just for reference only.

When opening the door while the microwave is heating the microwave will stop, after closing the door the microwave needs a few seconds to reset and start operating again. During operation you can adjust the time by rotating the time control, when rotating the time control to '0' the microwave will stop working and the buzzer will sound to indicate that the microwave is finished.



---

## Cleaning and maintenance

- Always remove the plug from the socket before cleaning the microwave.
- Beware: Never immerse the microwave in water or any other liquid!
- Clean the outside of the microwave with a damp cloth and water with mild detergent. And dry afterwards.
- Clean the inside and door with a damp cloth and water with mild detergent to remove all food and grease build up.
- Remove any spillage right after each use. Not cleaning can result in burnt stains and bad smells.
- Keep the sealing gaskets on the door clean, clean them regularly with a wet cloth and water with a mild detergent.
- Never use aggressive cleaning agents or abrasives. Do not use any sharp or pointed objects. Do not use petrol or solvents! Clean with a damp cloth and detergent if necessary. Do not use abrasive materials.
- Clean the grease and air filter regularly, the microwave might overheat when this isn't done properly or food will get contaminated with grease.

---

## Trouble shooting

The following events can be considered as normal effects of working with this microwave.

- Radio and TV reception may be interfered when the microwave is operating.
- The light of the oven might be dimmed when operating.
- During heating steam can come from the food and can accumulate on the cooler parts of the microwave like for instance on the door.

Trouble	Possible cause	Solution
Microwave doesn't start working	Power cord not plugged in correctly.	Check if the power cord is plugged in correctly.
	Fuse blown or circuit breaker active.	Replace fuse or reset circuit breaker. If not sure how to do this contact your supplier.
	Power outlet defective.	Test outlet with other appliance and check circuit breaker.
Oven doesn't heat	Door not closed correctly.	Check the door if it closes properly, if it can't be closed properly contact your supplier.

---

## Technical specifications

Item no.: 281352

Operating voltage & frequency: 230V~ 50Hz

Rated input power: 1550W

Rated output power: 1000W

Oven cavity capacity: 25 liters

Protection class: Class I

Microwave frequency: 2450MHz

Dimension: 511 x 432 x (H) 311 mm

Net weight (approx.): 14.7kg

**Remark: Technical specification is subjected to change without prior notification.**



---

## Warranty

Any defect affecting the functionality of the appliance which becomes apparent within one year after purchase will be repaired by free repair or replacement provided the appliance has been used and maintained in accordance with the instructions and has not been abused or misused in any way. Your statutory rights are not affected. If the appliance is claimed

under warranty, state where and when it was purchased and include proof of purchase (e.g. receipt).

In line with our policy of continuous product development we reserve the right to change the product, packaging and documentation specifications without notice.

---

## Discarding & Environment

When decommissioning the appliance, the product must not be disposed of with other household waste. Instead, it is your responsibility to dispose of your waste equipment by handing it over to a designated collection point. Failure to follow this rule may be penalized in accordance with applicable regulations on waste disposal. The separate collection and recycling of your waste equipment at the time of disposal will help conserve natural resources


and ensure that it is recycled in a manner that protects human health and the environment. For more information about where you can drop off your waste for recycling, please contact your local waste collection company. The manufacturers and importers do not take responsibility for recycling, treatment and ecological disposal, either directly or through a public system.



Sehr geehrter Kunde,

Vielen Dank für den Kauf dieses Hendi Gerät. Lesen Sie dieses Handbuch sorgfältig und achten Sie besonders auf die unten aufgeführten Sicherheitsvorschriften, bevor Sie dieses Gerät zum ersten Mal installieren und verwenden.

## Sicherheitsvorschriften

- Dieses Gerät ist für den gewerblichen Gebrauch bestimmt.
- Verwenden Sie das Gerät nur für den vorgesehenen Zweck, für den es entworfen wurde, wie in diesem Handbuch beschrieben.
- Der Hersteller haftet nicht für Schäden, die durch fehlerhafte Bedienung und unsachgemäße Verwendung verursacht werden.
- Halten Sie das Gerät und den elektrischen Stecker von Wasser und anderen Flüssigkeiten fern. Falls das Gerät in Wasser fällt, entfernen Sie sofort den Netzstecker von der Steckdose. Verwenden Sie das Gerät erst, wenn es von einem zertifizierten Techniker überprüft wurde. Die Nichtbefolgung dieser Anweisungen führt zu lebensbedrohlichen Risiken.
- Versuchen Sie niemals, das Gehäuse des Geräts selbst zu öffnen.
- Legen Sie keine Objekte in das Gehäuse der Appliance ein.
- Berühren Sie den Stecker nicht mit nassen oder feuchten Händen.
-  **GEFAHR EINES ELEKTRISCHEN SCHLAGS!** Versuchen Sie nicht, das Gerät selbst zu reparieren, Reparaturen sind nur von qualifiziertem Personal durchzuführen.
- **Verwenden Sie niemals ein beschädigtes Gerät!** Wenn es beschädigt ist, trennen Sie das Gerät von der Steckdose und wenden Sie sich an den Händler.
- **WARNUNG!** Tauchen Sie die elektrischen Teile des Geräts nicht in Wasser oder andere Flüssigkeiten ein.
- Halten Sie das Gerät niemals unter fließendem Wasser.
- Überprüfen Sie regelmäßig den Netzstecker und das Kabel auf Beschädigungen. Bei Beschädigung muss es durch einen Dienstleister oder eine ähnlich qualifizierte Person ersetzt werden, um Gefahren oder Verletzungen zu vermeiden.
- Stellen Sie sicher, dass das Kabel nicht mit scharfen oder heißen Gegenständen in Berührung kommt und halten Sie es von offenem Feuer fern. Ziehen Sie niemals das Netzkabel, um es von der Steckdose zu trennen, ziehen Sie stattdessen immer den Stecker.
- Stellen Sie sicher, dass das Netzkabel und/oder das Verlängerungskabel keine Auslösegefahr verursachen.
- Lassen Sie die Appliance während des Gebrauchs niemals unbeaufsichtigt.
- **WARNUNG!** Solange sich der Stecker in der Steckdose befindet, wird das Gerät an die Stromquelle angeschlossen.
- Schalten Sie die Appliance aus, bevor Sie sie vom Sockel trennen.


DE



- Schließen Sie den Netzstecker an eine leicht zugängliche Steckdose an, so dass das Gerät im Notfall sofort abgenommen werden kann.
- Tragen Sie das Gerät niemals an der Schnur.
- Verwenden Sie keine zusätzlichen Geräte, die nicht zusammen mit der Appliance geliefert werden.
- Schließen Sie das Gerät nur an eine Steckdose mit der Spannung und Frequenz an, die auf dem Etikett des Gerätes angegeben ist.
- Verwenden Sie niemals anderes Zubehör als das vom Hersteller empfohlene Zubehör. Andernfalls könnte ein Sicherheitsrisiko für den Benutzer darstellen und das Gerät beschädigen. Verwenden Sie nur Originalteile und Zubehör.
- Dieses Gerät sollte nicht von Personen mit eingeschränkter körperlicher, sensorischer oder geistiger Leistungsfähigkeit oder von Personen mit mangelnder Erfahrung und Kenntnisnahme betrieben werden.
- Dieses Gerät sollte unter keinen Umständen von Kindern verwendet werden.
- Bewahren Sie das Gerät und das Netzkabel außerhalb der Reichweite von Kindern auf.
- **ACHTUNG:** Schalten Sie das Gerät immer aus und ziehen Sie es vor der Reinigung, Wartung oder Lagerung von der Steckdose ab.

## Besondere Sicherheitsvorschriften

**WARNUNG:** Flüssigkeiten oder andere Lebensmittelprodukte dürfen nicht in geschlossenen Behältnissen, Flaschen (usw.) erhitzt werden, da hierbei Explosionsgefahr besteht.

- Ohne vorher eingestellte Lebensmittelprodukte darf die Mikrowelle nicht benutzt werden, denn das ist sehr gefährlich.
- Die Mikrowelle dient zum Erhitzen von Lebensmitteln und Getränken. Das Trocknen von Lebensmitteln oder Kleidung sowie das Erhitzen von Heizkissen, Hausschuhen, Schwämmen, feuchten Tüchern usw. kann dagegen zum Brand führen.
- Verwenden Sie das Gerät ausschließlich gemäß der vorliegenden Anleitung.
- Das Gerät ist ausschließlich durch ein geschultes Personal in Küchen, Restaurants und Kantinen oder durch die Bedienpersonen an der Bar zu bedienen.
- Dieses Gerät ist auch für ähnliche Anwendungsbereiche vorgesehen, wie zB:
  - Küchen für die Mitarbeiter in Läden, Büros und anderen Arbeitsplätzen;
  - Bauernhäuser;
  - Küchen für die Gäste in Hotels, Motels und in anderen Wohnbereichen;
  - B&B-Hotels.
-  **ACHTUNG! Heiße Fläche!** Während des Betriebs des Geräts erwärmen sich die Glastür und die anderen zugänglichen Flächen auf sehr hohe Temperaturen. Berühren Sie ausschließlich das Steuerpanel.
- Die Mikrowelle muss man regelmäßig reinigen und die angesammelten Lebensmittelreste beseitigen.



- Nehmen Sie die Mikrowelle nicht in Betrieb, wenn die Tür geöffnet ist, da dies zu einer Energieeinwirkung in Form von Mikrowellenstrahlung führen kann. Ebenso darf an den Sicherheitsblockaden nicht manipuliert und sie nicht abgenommen werden.
- Legen Sie keine Gegenstände zwischen das Gehäuse und die Tür der Mikrowelle; lassen Sie es auch nicht zu einer Ansammlung von Verschmutzungen oder Reinigungsmittelresten auf den Dichtungsflächen kommen.
- **WARNUNG:** Wenn die Tür oder die Türabdichtungen beschädigt wurden, darf die Mikrowelle bis zu ihrer Reparatur durch dazu autorisiertes und geschultes Servicepersonal nicht benutzt werden.
- Befindet sich die Mikrowelle in keinem sauberen Zustand, dann kann dies zu einer Verschlechterung des Zustands der Oberflächen führen, was wiederum die Lebensdauer des Gerätes negativ beeinflusst und Gefahrensituationen auftreten können.
- Vor Gebrauch des Gerätes ist zu überprüfen, ob der Fettfilter und der Luftfilter ordnungsgemäß montiert sind.
- **WARNUNG:** Irgendwelche Service- oder Reparaturtätigkeiten, die auf der Beseitigung der Schutzschicht gegen die Einwirkung der Mikrowellenstrahlung beruhen, und durch andere Personen als das autorisierte und geschulte Servicepersonal ausgeführt werden, sind gefährlich.
- Zum Kochen/Erhitzen von Speisen in der Mikrowelle muss man ausschließlich nur solche Gefäße benutzen, die sich für die Verwendung in Mikrowellen eignen. Verwenden Sie nicht die folgenden Gegenstände: Behälter oder Besteck aus oder mit Metall, Aluminiumfolie, Bleikristallglas, temperaturempfindliche Kunststoffe, Holz- oder Metallklammer oder Kabelbinder. Verwenden Sie keine Schalen mit Metallrand oder Plastikbehälter, wenn der Deckel teilweise entfernt ist. Es besteht Feuergefahr.
- In Bezug auf das Zündrisiko muss man den Prozess des Erhitzens der in Kunststoff- oder Papierbehälter verpackten Lebensmittel beobachten.
- Beim Beobachten irgendeiner Rauchbildung muss man das Gerät ausschalten oder den Stecker aus der Netzsteckdose ziehen und nicht die Tür öffnen, denn dadurch erlischt das Feuer schneller.
- Benutzen Sie den Innenraum der Mikrowelle nicht als Lagerfläche. In der Mikrowelle dürfen vor allem solche Lebensmittel wie Brot, Kuchen (usw.) nicht aufbewahrt werden.
- Bevor Papier- oder Kunststoffbehältnisse/Beutel in die Mikrowelle eingelegt werden, sind sämtliche Clips oder Halterungen aus Metall zu entfernen.
- In der Mikrowelle darf man weder Eier in der Schale noch hart gekochte Eier erhitzen, weil sie explodieren können, und das sogar noch nach dem der Prozess des Erhitzens schon beendet wurde.
- Während des Funktionsbetriebes des Gerätes kann die Temperatur der für den Nutzer zugänglichen Fläche sehr hoch sein.

- **WARNUNG:** Um Verbrennungen zu vermeiden, muss man den Inhalt von Flaschen oder Gläsern mit Nahrungsmitteln für Säuglinge vor dem Gebrauch schütteln oder mischen sowie die Temperatur des Getränkes oder der Speise prüfen.
- **WARNUNG:** Das Erhitzen von Getränken in der Mikrowelle kann zu einem verzögerten heftigen Sieden führen. Beim Tragen des Behältnisses muss man deshalb vorsichtig sein.
- Die Mikrowellen dürfen nicht im Küchenschrank untergebracht werden, wenn sie nicht fabrikmäßig in Bezug auf die Verwendung in Schränken getestet wurden.
- Die Mikrowellen sind nicht geeignet für die Bedienung mit Hilfe einer externen Schaltuhr oder eines gesonderten Fernsteuerungssystems.
- Die Tür oder Außenflächen können während der Funktion des Gerätes heiß werden.
- Die Keramikplatte, die sich in der Kochkammer befindet, kann sich sehr stark erhitzen; nach Beenden des Kochvorgangs darf man sie nicht berühren – andernfalls besteht für den Nutzer die Gefahr, dass man sich die Hand verbrennt.
- Man darf auch nicht so sehr auf die Keramikplatte drücken.
- Das unvorsichtige Einstellen der Behälter in die Kochkammer kann die Keramikplatte beschädigen.
- Legen Sie keine Gegenstände auf das Gerät. Außerdem muss über dem Gerät eine lichte Weite von mindestens 15 cm gelassen werden.
- Die im Gerät installierte Glühlampe dient zu seiner Beleuchtung. Die Glühlampe ist nicht für die Beleuchtung des Raumes zu verwenden.
- **Verbrennungsrisiko!** Das Gerät kann sich während der Nutzung erhitzen. Achten Sie bitte darauf, dass die Heizelemente in der Kammer des Gerätes nicht berührt werden.
- **Verbrennungsrisiko!** Die Gefäße können sich von den erhitzten Lebensmitteln erwärmen. Die erhitzten Lebensmittel sind deshalb immer nur mit Küchenschuhen aus der Mikrowelle zu nehmen.
- Man muss sich deshalb davon überzeugen, ob während der Nutzung die Tür der Mikrowelle gut geschlossen ist.
- **GEFAHR! Gefährdung durch einen Stromschlag** Das Berühren einiger innerer Komponenten des Gerätes kann zu ernsthaften Körperverletzungen oder zum Tod führen. Das Gerät darf nicht demontiert werden.
- **WARNUNG! Gefährdung durch einen Stromschlag** Eine falsche Erdung kann zu einem Stromschlag führen. Stecken Sie den Stecker nicht in die Netzsteckdose, bevor nicht das Gerät entsprechend installiert und geerdet wurde.



---

## Verwendungszweck

- Das Gerät ist für den professionellen Einsatz geeignet.
- Die Mikrowelle ist nur zum Erwärmen und Auftauen von Lebensmitteln mit entsprechendem mikrowellen-geeigneten Geschirrtteilen bestimmt. Jede andere Verwendung kann zur Beschädigung der Mikrowelle oder zu Personenschäden führen.
- Jede andere Verwendung des Gerätes gilt als nicht bestimmungsgemäß. Der Benutzer ist allein verantwortlich für die unsachgemäße Nutzung des Gerätes.

---

## Erdungsinstallation

Dieses Gerät ist als **Schutzklasse I** eingestuft und muss mit einer Schutzerde verbunden werden. Die Erdung reduziert das Risiko eines elektrischen Schlags, indem ein Flucht-kabel für den elektrischen Strom bereitgestellt wird.

Dieses Gerät ist mit einem Netzkabel mit einem Erdungskabel und einem geerdeten Stecker ausgestattet. Der Stecker muss in eine Steckdose gesteckt werden, die ordnungsgemäß installiert und geerdet ist.

---

## Gefäße

Die Verwendung einiger Nichtmetallgefäße kann nicht sicher sein. Wenn Zweifel bestehen

kann man das gegebene Gefäß nach folgender Verfahrensweise testen.

### Test der Küchengefäße:

Füllen Sie den in der Mikrowelle zu verwendenden Behälter mit 1 Glas (250 ml) kalten Wassers und setzen Sie das Gefäß in die Kammer der Mikrowelle ein.

Danach 1 Minute lang mit höchster Leistung

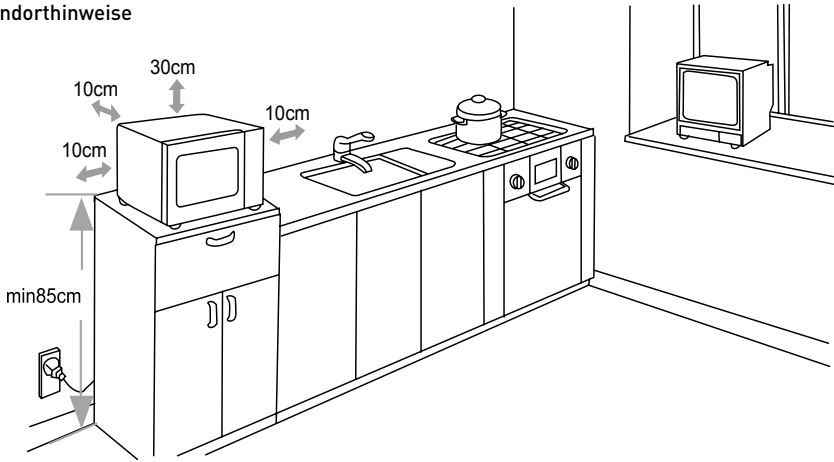
erhitzen. Das Gefäß vorsichtig berühren. Wenn es warm ist, dann sollte man das Gefäß in der Mikrowelle nicht verwenden. Die maximale Zeit des Erhitzens zum Test von 1 Minute sollte dabei nicht überschritten werden.

---

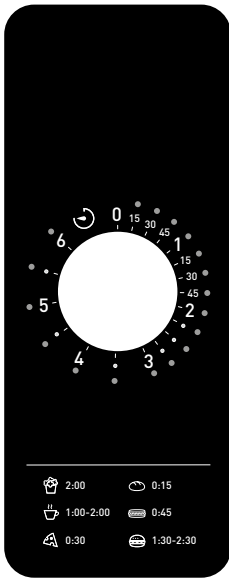
## Vorbereitung vor dem ersten Gebrauch

- Verpackung und Zubehör abnehmen.
- Sichtprüfung der Mikrowelle in Bezug auf eventuelle Druckstellen oder Beschädigungen der Tür. Eine beschädigte Mikrowelle darf nicht installiert werden.
- Entfernen einer eventuellen Schutzfolie, die sich an der Oberfläche der Mikrowelle befindet.
- Bewahren Sie die Verpackung auf, wenn Sie Ihr Gerät in Zukunft lagern wollen.
- Den Innenraum der Mikrowelle mit weichem Lappen waschen, der mit lauwarmen Wasser angefeuchtet ist.
- Alle Komponenten sind zu waschen.
- Stellen Sie die Mikrowelle auf eine ebene und ausnivellierte Fläche.
- Zur Absicherung einer richtigen Belüftung rundum die Mikrowelle muss man genügend Freiraum von 10 cm an jeder Seite belassen, von oben beträgt er 30 cm.
- Auf der Mikrowelle dürfen keine Gegenstände abgelegt werden. Es besteht eine Brandgefahr.
- Beim Aufstellen der Mikrowelle ist zu beachten, dass der Stecker immer leicht zugänglich ist.
- Die Mikrowelle ist so weit wie möglich von Rundfunk- und Fernsehempfängern aufzustellen. Ihre Nutzung kann Störungen beim Rundfunk- und Fernsehempfang hervorrufen.

## Standorthinweise



## Nutzung



Rotierende  
Zeitsteuerung

Das Gerät an das Stromnetz anschließen. Ein einmaliger Summertone signalisiert, dass das Gerät betriebsbereit ist. Tür öffnen und das Lebensmittelprodukt in die Mikrowelle legen. Tür schließen und das Stellrad zum Einstellen der Zeit des Erhitzens drehen. Die Mikrowelle geht sofort in Betrieb. Sie ist auf das standardmäßige Leistungsniveau eingestellt, das man nicht regeln kann. Wenn die Zeit des Erhitzens beendet ist, dann erzeugt der Summer ein mehrmals Tonsignal und das Gerät kehrt in den Zustand der Betriebsbereitschaft zurück.

DE

**ACHTUNG:** Das Gerät arbeitet auf einem konstanten Leistungspegel, der weder änderbar noch einstellbar ist. Die angegebenen Kochzeiten für verschiedene Lebensmittel dienen lediglich als Referenz.

Wenn während des Erhitzens die Tür geöffnet wird, unterbricht die Mikrowelle ihren Funktionsbetrieb und nach dem Schließen der Tür setzt sie sich nach einigen Sekunden zurück und erneuert die Funktion. Während des Betriebes kann man die Zeit des Erhitzens anpassen, in dem man das Stellrad entsprechend betätigt. Das Einstellen des Stellrades auf die Position „0“ bewirkt das Ausschalten der Mikrowelle – der Summer erzeugt ein Tonsignal, das die Beendigung des Funktionsbetriebes anzeigt.



## Reinigung und Wartung

- Vor dem Reinigen des Gerätes ist der Stecker aus der Netzsteckdose zu ziehen.
- Vorsicht: Die Mikrowelle darf weder in Wasser noch in eine andere flüssige Substanz eingetaucht werden.
- Die Außenflächen der Mikrowelle sind mit einem Tuch zu reinigen, der vorher im Wasser mit dem Zusatz eines milden Reinigungsmittels angefeuchtet wurde. Danach sind sie trocken zu reiben.
- Zwecks Beseitigung der Lebensmittel- und Fettreste müssen die Innenflächen und die Tür der Mikrowelle mit einem Lappen, der vorher im Wasser mit dem Zusatz eines milden Reinigungsmittels angefeuchtet wurde, gereinigt werden.
- Sämtliche vergossene Flüssigkeiten sind sofort zu beseitigen. Andernfalls kann es zu ihrem Anbrennen kommen und es wird ein unangenehmer Geruch ausgeschieden.
- Die Türdichtungen sind durch regelmäßiges Reinigen mit einem Lappen, der vorher im Wasser mit dem Zusatz eines milden Reinigungsmittels angefeuchtet wurde, in einem sauberen Zustand zu halten.
- Verwenden Sie keine ätzenden oder abriebenden Reinigungsmittel. Ebenso dürfen keine Gegenstände mit scharfen Spitzen sowie weder Benzin noch Lösungsmittel verwendet werden. Reinigen Sie mit einem Lappen, der vorher im Wasser mit dem Zusatz eines Reinigungsmittels (wenn notwendig) angefeuchtet wurde. Verwenden Sie keine Abriebmaterialien.
- Fett- und Luftfilter sind regelmäßig zu reinigen; die Mikrowelle kann sich überhitzen oder die Rückstände des alten Fettes können in die zubereiteten Speisen gelangen.

## Suche und Lösung der Probleme

Folgende Situationen können als normale Folgen des Funktionsbetriebes des Gerätes behandelt werden.

- Während des Betriebes kann das Gerät Störungen im Radio- und Fernsehempfang hervorrufen.
- Das Licht in der Mikrowelle kann während des Funktionsbetriebes abblenden.
- Beim Erhitzen von Lebensmittelprodukten kann ein Dampf entstehen, der sich auf den kalten Teilen des Gerätes ansammelt, z.B. an der Tür.

Problem	Mögliche Ursache	Lösung
Mikrowelle funktioniert nicht.	Die Stromversorgungsleitung ist nicht richtig angeschlossen.	Prüfen, ob die Stromversorgungsleitung richtig angeschlossen ist.
	Die Sicherung ist durchgebrannt oder der Überstromschalter ist aktiviert.	Sicherung austauschen oder Schalter zurücksetzen. Wenn Zweifel bei der Ausführung dieser Tätigkeit bestehen, muss man sich mit dem Lieferanten in Verbindung setzen.
	Netzsteckdose ist beschädigt.	Prüfen der Netzsteckdose durch Anschluss eines anderen Gerätes sowie den Überstromschalter.
Die Speisen werden in der Mikrowelle nicht erhitzt.	Tür schließt nicht.	Prüfen, ob die Tür der Mikrowelle richtig schließt. Wenn die Tür nicht richtig schließt, dann muss man sich mit dem Lieferanten in Verbindung setzen.



---

## Technische Spezifikation:

Modell: 281352

Betriebsspannung und frequenz: 230V- 50Hz

Nennleistungsaufnahme: 1550W

Nominale Ausgangsleistung: 1000W

Volumen der Kammer der Mikrowelle: 25 liters

Schutzklasse: Klasse I

Mikrowellenfrequenz: 2450MHz

Außenabmessungen: 511 x 432 x (H) 311 mm

Nettogewicht (ca.): 14,7 kg

---

**Hinweis: Die technische Spezifikation kann ohne Vorankündigung verändert werden.**

---

## Garantie

Alle innerhalb von einem Jahr nach dem Kaufdatum festgestellten Defekte oder Mängel, die die Funktionalität des Gerätes beeinträchtigen, werden auf dem Wege der unentgeltlichen Reparatur bzw. des Austausches unter der Voraussetzung beseitigt, dass das Gerät in einer der Bedienungsanleitung gemäßen Art und Weise betrieben und gewartet wird und weder vorsätzlich vernichtet noch nicht bestimmungsgemäß genutzt wurde. Ihre Rechte aus den entsprechenden Gesetzen bleiben davon unberührt. Eine in der

Garantiefrist einzureichende Beanstandung hat die Angabe des Kaufortes und Kaufdatums und in der Anlage einen Kaufbeleg (z.B. Kassenzettel) zu enthalten.

Gemäß unserer Politik der ständigen Weiterentwicklung unserer Produkte behalten wir uns vor, Änderungen am Produkt, an seiner Verpackung und an den dokumentierten technischen Daten ohne vorherige Ankündigung vorzunehmen.

---

## Entsorgung und Umweltschutz

Wird das Gerät außer Betrieb genommen, darf es nicht über den Hausmüll entsorgt werden. Der Benutzer ist für die Übergabe des Gerätes an eine geeignete Sammelstelle für Altgeräte verantwortlich. Die Nichteinhaltung dieser Regel kann gemäß den geltenden Vorschriften über die Abfallentsorgung bestraft werden. Die getrennte Sammlung und das Recycling der Altgeräte trägt zur Schonung der natürlichen Ressourcen bei und sorgt für eine umwelt- und

gesundheitsschonende Verwertungsweise.

Weitere Informationen darüber, wo Sie Ihre Altgeräte entsorgen können, erhalten Sie bei Ihrem örtlichen Entsorgungsunternehmen. Der Hersteller und der Importeur übernehmen keine Verantwortung für das Recycling sowie die umweltfreundliche Verwertung von Abfällen, weder direkt noch über ein öffentliches System.

DE



Geachte klant,

Bedankt voor de aanschaf van dit Hendi apparaat. Lees deze handleiding zorgvuldig door, met bijzondere aandacht voor de onderstaande veiligheidsvoorschriften, voordat u dit apparaat voor de eerste keer installeert en gebruikt.

## Veiligheidsvoorschriften

- Dit apparaat bedoeld voor commerciële doeleinde.
- Gebruik het apparaat alleen voor het beoogde doel waarvoor het is ontworpen, zoals beschreven in deze handleiding.
- De fabrikant is niet aansprakelijk voor enige schade veroorzaakt door onjuist gebruik en onjuist gebruik.
- Houd het apparaat en de stekker uit de buurt van water en andere vloeistoffen. Als het apparaat in water valt, haal dan onmiddellijk de stekker uit het stopcontact. Gebruik het apparaat niet totdat het is gecontroleerd door een gecertificeerde technicus. Het niet volgen van deze instructies zal levensbedreigende risico's veroorzaken.
- Probeer nooit de behuizing van het apparaat zelf te openen.
- Plaats geen objecten in de behuizing van het apparaat.
- Raak de stekker niet aan met natte of vochtige handen.
-  **GEVAAR VOOR EEN ELEKTRISCHE SCHOK!** Probeer het apparaat niet zelf te repareren, reparaties mogen alleen worden uitgevoerd door gekwalificeerd personeel.
- **Gebruik nooit een beschadigd apparaat!** Wanneer het apparaat beschadigd is, koppelt u het apparaat los van het stopcontact en neemt u contact op met de detailhandelaar..
- **WAARSCHUWING!** Dompel de elektrische onderdelen van het apparaat niet onder in water of andere vloeistoffen.
- Houd het apparaat nooit onder stromend water.
- Controleer regelmatig de stekker en het snoer op eventuele schade. Bij beschadiging moet het worden vervangen door een serviceagent of een gelijkwaardig gekwalificeerd persoon om gevaar of letsel te voorkomen.
- Zorg ervoor dat het snoer niet in contact komt met scherpe of hete voorwerpen en houd het uit de buurt van open vuur. Trek nooit aan het netsnoer om het uit het stopcontact te halen, trek altijd aan de stekker.
- Zorg ervoor dat het netsnoer en/of het verlengsnoer geen struikelgevaar veroorzaken.
- Laat het apparaat nooit onbeheerd achter tijdens het gebruik.
- **WAARSCHUWING!** Zolang de stekker in het stopcontact zit, is het apparaat aangesloten op de stroombron.
- Schakel het toestel uit voordat u het uit het stopcontact haalt.

NL



- Sluit de stekker aan op een gemakkelijk toegankelijk stopcontact, zodat het apparaat in geval van nood onmiddellijk kan worden losgekoppeld.
- Draag het apparaat nooit bij het snoer.
- Gebruik geen extra apparaten die niet samen met het apparaat worden geleverd.
- Sluit het apparaat alleen aan op een stopcontact met de spanning en frequentie vermeld op het etiket van het apparaat.
- Gebruik nooit andere accessoires dan die welke door de fabrikant worden aanbevolen. Als u dit niet doet, kan dit een veiligheidsrisico vormen voor de gebruiker en kan het apparaat beschadigen. Gebruik alleen originele onderdelen en accessoires.
- Dit apparaat mag niet worden gebruikt door personen met verminderde fysieke, zintuiglijke of mentale vermogens, of personen met een gebrek aan ervaring en kennis.
- Dit apparaat mag in geen geval door kinderen worden gebruikt.
- Houd het apparaat en het netsnoer buiten het bereik van kinderen.
- **WAARSCHUWING:** schakel het apparaat ALTIJD uit en haal de stekker uit het stopcontact voor reiniging, onderhoud of opslag.

## Bijzondere veiligheidsvoorschriften

**WAARSCHUWING:** Verwarm geen vloeistoffen of levensmiddelen in hermetisch gesloten verpakkingen, deze kunnen door overdruk ontploffen.

- Zet de magnetron nooit aan zonder inhoud, dit wel doen is erg gevaarlijk.
- Deze magnetron is bedoeld voor het verwarmen van voedsel en dranken. Het drogen van voedsel of kleding en het opwarmen van warmtekussens, slippers, sponzen, vochtige doeken en dergelijke kan tot brand leiden.
- Gebruik het apparaat alleen zoals beschreven in deze handleiding.
- Dit apparaat mag alleen worden gebruikt door getraind personeel in keukens van restaurants, kantines of barpersoneel, etc.
- Dit apparaat is bedoeld voor in omgevingen zoals
  - personeelskeukens in winkels, kantoren en andere werkomgevingen;
  - boerderijen;
  - voor gasten in hotels, motels en andere residentiële omgevingen;
  - bed-and-breakfast-accommodatie.
-  **LET OP! Heet oppervlak!** De temperatuur van de glazen deur en andere bereikbare oppervlakken is zeer hoog tijdens gebruik. Raak alleen het bedieningspaneel aan.
- Deze magnetron moet regelmatig worden gereinigd en alle voedselresten moeten worden verwijderd.
- Deze magnetron mag niet worden gebruikt met behulp van een externe timer of aparte afstandsbediening.
- Probeer nooit de magnetron te gebruiken met open deur, dit wel doen kan leiden tot schadelijke blootstelling aan microgolf energie. Het is belangrijk dat de vei-



ligheidsvoorzieningen nooit onklaar gemaakt of omzeild worden.

- Plaats geen voorwerpen tussen de voorzijde van de magnetron en de deur, en laat nooit vuil of reinigingsmiddelen ophopen op de pakking van de deur.
- **WAARSCHUWING:** Als de deur of pakking beschadigd is mag de magnetron niet gebruikt worden totdat deze hersteld is door een gecertificeerd technicus.
- Als de magnetron niet goed schoon gehouden wordt kan dat oppervlakkige schade, verminderde levensduur van het apparaat of zelfs gevaarlijke situaties veroorzaken.
- **WAARSCHUWING:** Alleen gecertificeerde technici kunnen veilig onderhoud of reparaties uitvoeren waarvoor het verwijderen van onderdelen welke beschermen tegen de lekkage van straling vereist is. Het is gevaarlijk om dit zelf te proberen.
- Gebruik alleen hulpmiddelen geschikt voor gebruik in magnetrons. Gebruik geen containers of bestek gemaakt van of die volgende materialen bevat: metaal, aluminiumfolie, glaswaar van loodkristal, temperatuur gevoelig kunststof, hout, metalen clips of binddraad. Gebruik geen kommen met gefreesde randen of kunststof pannen met het deksel slechts gedeeltelijk verwijderd. Brandgevaar.
- Houd de oven altijd in de gaten terwijl voedsel in papier of kunststof verpakkingen wordt verhit, vanwege het risico op ontvlaming.
- Als er rook wordt gesignaleerd direct de magnetron uitschakelen en/of de stekker uit de contactdoos verwijderen en de deur gesloten houden zodat eventueel vuur verstikt wordt.
- Gebruik de magnetronkamer niet als opslagruimte. Laat geen brood, koeken, etc. in de magnetronkamer liggen.
- Verwijder metalen sluitstrips en handgrepen van papieren en plastic zakken voordat zij in de magnetron geplaatst worden.
- Eieren in de schaal en hardgekookte hele eieren mogen nooit in de magnetron worden verhit omdat zij kunnen ontploffen, zelfs nadat de verhitting voorbij is.
- Blootliggende delen van de magnetron kunnen tijdens gebruik heet worden.
- **WAARSCHUWING:** Na het verwarmen van speenflessen of potjes babyvoeding altijd goed roeren of schudden en de temperatuur controleren voordat wordt geconsumeerd, om brandwonden te vermijden.
- **WAARSCHUWING:** Het verhitten van vloeistoffen in een magnetron kan leiden tot kookvertraging, waarbij de vloeistof oververhit raakt en bij een kleine schok plotseling kan uitbarsten. Wees voorzichtig bij het uitnemen van vloeistoffen uit de magnetron.
- De magnetron is niet geschikt voor inbouwen of plaatsing in een (keuken-)kastje.
- De magnetron is niet bedoeld voor gebruik met externe tijdschakelaars of andere systemen voor bediening op afstand.
- Plaats geen voorwerpen op het apparaat. Laat een ruimte van ten minste 15cm

vanaf de bovenkant van het apparaat vrij.

- De lamp in het apparaat wordt gebruikt voor verlichting. Deze lamp wordt niet gebruikt voor het verlichten van de kamer.
- Kan brandwonden veroorzaken. Het apparaat wordt heet tijdens gebruik. Zorg ervoor dat u de verwarmingselementen in de kookruimte niet aanraakt.
- Kan brandwonden veroorzaken. Kookgerei kan ook worden opgewarmd door het verwarmde voedsel. Gebruik daarom altijd pannelappen als u verwarmd voedsel uit het apparaat haalt.
- Zorg ervoor dat de deur goed is gesloten tijdens gebruik.
- **GEVAAR:** Risico op elektrische schok: In aanraking komen met bepaalde interne onderdelen van de magnetron kan ernstige verwonding of de dood tot gevolg hebben. Demonteer het apparaat niet.
- **WAARSCHUWING:** Risico op elektrische schok: Het niet of onjuist aansluiten van de aardeleiding kan leiden tot elektrische schok. Plug de stekker niet in een contactdoos totdat de gehele installatie goed voorbereid en geaard is.

---

### Beoogd gebruik

- Het apparaat is bestemd voor professioneel gebruik.
- De magnetron is ontworpen voor het ontdooien en verwarmen van voedsel, gebruik enkel geschikte borden/bakken. Elk ander gebruik kan leiden tot schade aan de magnetron of persoonlijk letsel.
- Gebruik van het apparaat voor andere doeleinden wordt beschouwd als verkeerd gebruik van het apparaat. De gebruiker is volledig aansprakelijk voor alle risico's die voortvloeien uit verkeerd gebruik van het apparaat.

NL

---

### Aarding installatie

Dit apparaat is geclassificeerd als **beschermingsklasse I** en moet op een beschermende grond worden aangesloten. Aarding vermindert het risico op elektrische schokken door een ontsnappingsdraad voor de elektrische

stroom aan te bieden. Dit apparaat is uitgerust met een netsnoer met een aardingsdraad en geaarde stekker. De stekker moet worden aangesloten op een stopcontact dat correct is geïnstalleerd en geaard.

---

### Hulpmiddelen

Er zijn bepaalde niet-metalen hulpmiddelen die niet geschikt zijn voor gebruik in magnetrons. In geval van twijfel kan de volgende pro-

cedure worden gebruikt om geschiktheid te testen.

### Hulpmiddelen test:

Vul een voor magnetrons geschikte (maat-)beker met met 250ml koud water en het te testen hulpmiddel. Laat de magnetron hier 1 minuut met volle kracht op werken. Voel voorzichtig of het geteste hulpmiddel warm is. Als het hulp-

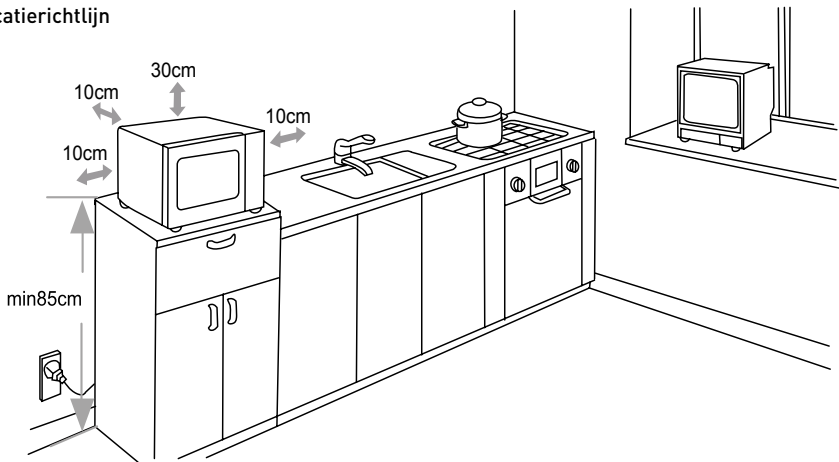
middel warm is geworden, dan is het niet geschikt voor gebruik in magnetrons. Laat deze test nooit meer dan de aangegeven 1 minuut lopen.



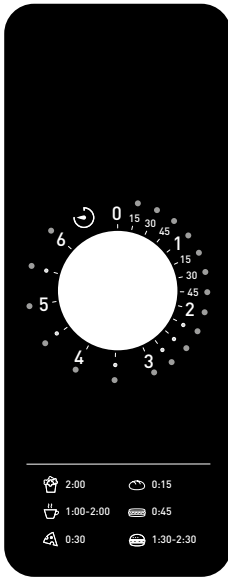
### Vorbereiding op het eerste gebruik

- Verwijder alle verpakkingsmaterialen en dergelijke.
- Controleer of het apparaat beschadigd is. Neem bij schade direct contact op met uw leverancier en installeer het apparaat niet.
- Verwijder eventuele beschermingsfolie.
- Bewaar de verpakking als u uw apparaat in de toekomst wilt opbergen.
- Reinig de magnetronkamer met lauwwarm water en een zachte doek.
- Reinig de losse onderdelen met lauwwarm water en een zachte doek.
- Plaats de magnetron waterpas op een stabiele en vlakke ondergrond.
- Houd minimaal 10 cm ruimte rondom en 30 cm boven de magnetron vrij voor ventilatie.
- Dek de magnetron nooit af, plaats geen voorwerpen bovenop de magnetron.
- Plaats de magnetron zodanig dat de stekker in de contactdoos altijd binnen handbereik is.
- Plaats de magnetron zo ver mogelijk weg van radio's, televisies en WiFi toegangspunten, werkende magnetrons kunnen deze apparatuur storen.

### Locatierichtlijn



## Gebruik



Roterende  
tijdcontrole

Na aansluiting aan een contactdoos klinkt de zoemer eenmalig om aan te geven dat de magnetron klaar is voor gebruik. Open de deur en plaats het voedsel in de magnetron. Sluit de deur en gebruik de draaiknop om de gewenste tijd in te stellen. De magnetron start onmiddellijk. Het vermogen is vast en is niet instelbaar. Nadat de ingestelde tijd verstreken is klinkt de zoemer 5 maal om aan te geven dat het programma voltooid is en stopt de magnetron met verhitten.

Opmerking: Het vermogen is op een vaste waarde ingesteld en kan niet worden aangepast. De bereidingstijd voor verschillende voedingsmiddelen onder de draaiknop voor het instellen van de tijd zijn alleen ter referentie.

Als de deur geopend wordt terwijl de magnetron in bedrijf is stopt de verhitting direct, nadat de deur weer gesloten wordt begint de magnetron een paar seconden later weer met de verhitting. Tijdens gebruik kan de ingestelde tijd worden aangepast door de tijdscontrole naar de nieuwe gewenste stand te draaien. Wanneer de tijdscontrole naar "0" wordt gedraaid klinkt de zoemer meerdere malen om aan te geven dat het programma voltooid is en stopt de magnetron met verhitten.

NL

## Reiniging en onderhoud

- Verwijder altijd de stekker uit de contactdoos voor het begin van de reiniging.
- Let op: Het apparaat nooit onderdompelen in water of andere vloeistoffen.
- Reinig de buitenzijde van het apparaat met een zachte doek, bevochtigd met een sopje van mild reinigingsmiddel. Daarna het apparaat goed afdrogen.
- Reinig de binnenzijde en de deur met een zachte doek, bevochtigd met een sopje van mild reinigingsmiddel om alle voedselresten en vet te verwijderen.
- Verwijder eventueel gemorst voedsel direct na gebruik, anders kunnen er ingebrande vlekken en vieze geuren ontstaan.
- Houd de pakkingen van de deur schoon, reinig hen regelmatig met een zachte doek, bevochtigd met een sopje van mild reinigingsmiddel.
- Gebruik nooit bijtende, schurende of agressieve reinigingsmiddelen. Gebruik geen puntige, scherpe of schurende voorwerpen. Gebruik nooit wasbenzine of andere oplosmiddelen. Reinigen met een vochtige doek en mild reinigingsmiddel waar nodig.
- Reinig het vet & lucht filter regelmatig, de magnetron kan oververhitten als dit niet gebeurt. Ook kan eten geplaatst in de magnetron onbedoeld met vet in aanraking komen.



## Foutopsporing

De volgende verschijnselen kunnen beschouwd worden als een normaal gevolg van het gebruik van deze magnetron:

- Radio, Televisie en WiFi ontvangst kan gestoord worden terwijl de magnetron in werking is.
- Het licht in de magnetronkamer kan dimmen terwijl de magnetron in werking is.
- Terwijl de magnetron in werking is kan er stoom ontsnappen uit het voedsel en condenseren op koelere delen van het apparaat, zoals de deur.

Probleem	Mogelijke oorzaak	Mogelijke oplossing
Magnetron werkt niet	Apparaat onjuist aangesloten.	Controleer of de stekker goed ingeplugd is.
	Zekering of hoofdschakelaar afgeslagen.	Vervang de zekering of zet de hoofdschakelaar weer aan. Bij twijfel over hoe dit te doen, contact opnemen met de leverancier.
	Contactdoos defect.	Test contactdoos met ander apparaat en controleer de hoofdschakelaar.
Magnetron verwarmt niet	Deur niet goed gesloten	Controleer of de deur goed gesloten kan worden. Als de deur niet goed gesloten kan worden contact opnemen met de leverancier.

## Technische specificaties

Model: 281352

Bedrijfsspanning en frequentie: 230V~ 50Hz

Nominaal ingangsvermogen: 1550W

Nominale uitgangsvermogen: 1000W

Capaciteit ovenruimte: 25 liters

Beschermingsklasse: Klasse I

Magnetronfrequentie: 2450MHz

Afmetingen extern: 511 x 432 x (H) 311 mm

Netto gewicht (ong.): 14,7kg

**Opmerking:** Technische specificaties onderhevig aan verandering zonder voorafgaande kennisgeving.



---

## Garantie

Elk defect waardoor de werking van het apparaat nadelig wordt beïnvloed dat zich binnen één jaar na aankoop van het apparaat voordoet, wordt gratis hersteld door reparatie of vervanging, mits het apparaat conform de instructies is gebruikt en onderhouden en niet op enigerlei wijze verkeerd is behandeld of misbruikt. Dit laat onverlet uw bij wet bepaalde rechten. Als de garantie van kracht is, vermeld dan waar

en wanneer u het apparaat hebt gekocht en sluit een aankoopbewijs bij (bijv. kassabon of factuur).

Gezien ons streven naar voortdurende verdere productontwikkeling behouden wij ons het recht voor, zonder voorafgaande kennisgeving wijzigingen aan te brengen aan product, verpakking en documentatie.

---

## Verwijdering & milieu

Bij de buitengebruikstelling van het apparaat, mag het niet met het overige huisafval worden verwijderd. In plaats daarvan is het uw verantwoordelijkheid om uw afgedankte apparatuur in te leveren bij een daartoe aangewezen inzamelpunt. Het niet opvolgen van deze regel kan worden bestraft in overeenstemming met de geldende voorschriften voor afvalverwerking. De gescheiden inzameling en recycling van uw afgedankte apparatuur ten tijde van buitengebruikstelling helpt bij de instandhouding van

natuurlijke hulpbronnen en waarborgt dat de apparatuur wordt gerecycled op een manier die de volksgezondheid en het milieu beschermt.


Voor meer informatie over waar u uw afval kunt inleveren voor recycling kunt u contact opnemen met uw lokale afvalverwerkingsbedrijf. De fabrikant en importeurs nemen geen verantwoordelijkheid voor de recycling, behandeling en ecologische verwijdering, hetzij rechtstreeks of via een openbaar systeem.



Drogi Kliencie,

Dziękujemy za zakup tego urządzenia Hendi. Przeczytaj uważnie tę instrukcję, zwracając szczególną uwagę na przepisy bezpieczeństwa przedstawione poniżej, przed zainstalowaniem i używaniem tego urządzenia po raz pierwszy.

## Przepisy bezpieczeństwa

- Niniejsze urządzenie przeznaczone jest do użytku komercyjnego.
- Urządzenie należy używać wyłącznie zgodnie z przeznaczeniem, do którego zostało zaprojektowane zgodnie z opisem w niniejszej instrukcji.
- Producent nie ponosi odpowiedzialności za jakiegokolwiek szkody spowodowane nieprawidłowym działaniem i niewłaściwym użyciem.
- Przechowywać urządzenie i wtyczkę elektryczną z dala od wody i innych płynów. W przypadku, gdy urządzenie wpadnie do wody, natychmiast wyjmij wtyczkę zasilającą z gniazda. Nie używać urządzenia, dopóki nie zostanie sprawdzone przez certyfikowanego technika. Nieprzestrzeganie tych instrukcji spowoduje zagrożenie dla życia.
- Nigdy nie próbuj samodzielnie otwierać obudowy urządzenia.
- Nie wkładaj przedmiotów do obudowy urządzenia.
- Nie dotykaj wtyczki mokrymi lub wilgotnymi dłońmi.
-  **NIEBEZPIECZEŃSTWO PORAŻENIA PRĄDEM!** Nie próbuj samodzielnie naprawiać urządzenia, naprawy mogą być wykonywane wyłącznie przez wykwalifikowany personel.
- **Nigdy nie używaj uszkodzonego urządzenia!** Po uszkodzeniu odłącz urządzenie od gniazda i skontaktuj się ze sprzedawcą.
- **OSTRZEŻENIE!** Nie zanurzaj części elektrycznych urządzenia w wodzie lub innych płynach.
- Nigdy nie trzymaj urządzenia pod bieżącą wodą.
- Regularnie sprawdzaj wtyczkę zasilającą i przewód pod kątem uszkodzeń. W przypadku uszkodzenia musi zostać zastąpiony przez agenta serwisowego lub podobnie wykwalifikowaną osobę w celu uniknięcia niebezpieczeństwa lub obrażeń.
- Upewnij się, że przewód nie styka się z ostrymi lub gorącymi przedmiotami i trzymaj go z dala od otwartego ognia. Nigdy nie pociągaj za przewód zasilający, aby odłączyć go od gniazda, zawsze za wtyczkę.
- Upewnij się, że przewód zasilający i/lub przedłużacz nie powodują zagrożenia przejazdem.
- Nigdy nie pozostawiaj urządzenia bez nadzoru podczas użytkowania.
- **OSTRZEŻENIE!** Dopóki wtyczka znajduje się w gnieździe, urządzenie jest podłączone do źródła zasilania.
- Wyłącz urządzenie przed odłączeniem go od gniazda.
- Podłącz wtyczkę do łatwo dostępnego gniazda elektrycznego, aby w nagłych


PL



- wypadkach urządzenie mogło zostać natychmiast odłączone.
- Nigdy nie noś urządzenia za przewód.
  - Nie należy używać żadnych dodatkowych urządzeń, które nie są dostarczane razem z urządzeniem.
  - Podłącz urządzenie tylko do gniazdka elektrycznego z napięciem i częstotliwością wymienioną na etykiecie urządzenia.
  - Nigdy nie używaj akcesoriów innych niż zalecane przez producenta. Niezastosowanie się do tego może stanowić zagrożenie dla bezpieczeństwa użytkownika i spowodować uszkodzenie urządzenia. Używaj tylko oryginalnych części i akcesoriów.
  - Urządzenie to nie powinno być obsługiwane przez osoby o ograniczonych możliwościach fizycznych, sensorycznych lub umysłowych, ani osoby, które mają brak doświadczenia i wiedzy.
  - Urządzenie to w żadnym wypadku nie powinno być używane przez dzieci.
  - Przechowywać urządzenie i jego przewód zasilający w miejscu niedostępnym dla dzieci.
  - **OSTRZEŻENIE:** ZAWSZE wyłączyć urządzenie i odłączyć od gniazdka elektrycznego przed czyszczeniem, konserwacją lub przechowywaniem.

## Specjalne przepisy bezpieczeństwa

**OSTRZEŻENIE:** Płynów ani innych produktów spożywczych nie podgrzewać w kuchenke mikrofalowej w zamkniętych pojemnikach, butelkach itp., ponieważ grozi to eksplozją pojemnika, butelki itp.

- Nie korzystać z kuchenki mikrofalowej bez umieszczenia w niej uprzednio produktów spożywczych. Jest to bardzo niebezpieczne.
- Kuchenka mikrofalowa służy do podgrzewania żywności i napojów. Suszenie żywności lub odzieży oraz podgrzewanie poduszek rozgrzewających, kapci, gałek, wilgotnych ścierek itp. może prowadzić do powstania pożaru.
- Korzystaj z urządzenia wyłącznie zgodnie z niniejszą instrukcją.
- Urządzenie powinno być obsługiwane wyłącznie przez przeszkolony personel zaplecza kuchennego restauracji, stołówek lub obsługę baru, itp.
- Urządzenie jest przeznaczone do zastosowania w zbliżonych warunkach, takich jak:
  - kuchnie dla pracowników w sklepach, biurach i innych miejscach pracy;
  - gospodarstwa rolne;
  - kuchnie przeznaczone do użytku gości w hotelach, motelach i innych obszarach mieszkalnych;
  - hotele typu „bed and breakfast”.
-  **UWAGA! Gorąca powierzchnia!** Podczas pracy urządzenia szklane drzwiczki oraz pozostałe dostępne powierzchnie nagrzewają się do bardzo wysokich temperatur. Dotykaj wyłącznie panelu sterowania.
- Kuchenkę mikrofalową należy regularnie czyścić i usuwać nagromadzone resz-



ki żywności.

- Kuchenka mikrofalowa nie jest przystosowana do obsługi za pomocą zewnętrznego minutnika lub oddzielnego pilota zdalnego sterowania.
- Nie uruchamiać kuchenki mikrofalowej, jeśli drzwiczki są otwarte, ponieważ może to prowadzić do narażenia na działanie energii w postaci promieniowania mikrofalowego. Nie zdejmować ani nie manipulować przy blokadach bezpieczeństwa.
- Nie wkładać żadnych przedmiotów pomiędzy obudowę a drzwiczki kuchenki mikrofalowej; nie doprowadzać do gromadzenia się zabrudzeń lub pozostałości środka czyszczącego na powierzchniach uszczelniających.
- **OSTRZEŻENIE:** Jeśli drzwi lub uszczelki drzwiowe uległy uszkodzeniu, nie korzystaj z kuchenki mikrofalowej do momentu naprawienia ich przez autoryzowany i przeszkolony serwis.
- Nieutrzymywanie kuchenki mikrofalowej w czystości może prowadzić do pogorszenia stanu jej powierzchni zewnętrznych i wewnętrznych (komory gotowania), co z kolei może negatywnie wpłynąć na żywotność urządzenia i prowadzić do wystąpienia sytuacji niebezpiecznych.
- Przed użyciem urządzenia sprawdzić, czy filtr tłuszczu i filtr powietrza są prawidłowo zamontowane.
- **OSTRZEŻENIE:** Niebezpieczne jest wykonywanie jakichkolwiek czynności serwisowych lub naprawczych, polegających na usunięciu pokrywy chroniącej przed narażeniem na działanie promieniowania mikrofalowego, przez osoby inne niż autoryzowany i przeszkolony serwis.
- Do gotowania/podgrzewania potraw w kuchence mikrofalowej należy używać wyłącznie naczyń nadających się do stosowania w kuchenkach mikrofalowych. Nie używaj naczyń ani sztuczków wykonanych z lub zawierających metal, folię aluminiową, szkło ołowiowe (kryształ), tworzywa sztuczne nieodporne na działanie wysokich temperatur, metalowe lub drewniane zapinki lub druciane opaski. Nie używaj misek z metalowym brzegiem ani pojemników plastikowych z częściowo zdjętym wieczkiem. Niebezpieczeństwo powstania ognia.
- Ze względu na ryzyko zapłonu, obserwować proces podgrzewania żywności zapakowanej w plastikowe lub papierowe pojemniki.
- W przypadku zauważenia dymu, wyłączyć urządzenie lub wyjąć wtyczkę z kontaktu i nie otwierać drzwiczek. Pozwoli to szybciej ugasić ogień.
- Nie wykorzystywać wnętrza kuchenki mikrofalowej jako przestrzeni do przechowywania. W kuchence mikrofalowej nie przechowywać produktów spożywczych takich jak chleb, ciastka itp.
- Przed umieszczeniem papierowych lub plastikowych pojemników/torebek w kuchence mikrofalowej, usunąć metalowe zapinki lub uchwyty.
- Nie wolno podgrzewać w kuchence mikrofalowej jajek w skorupkach ani jajek ugotowanych na twardo, ponieważ mogą one eksplodować, nawet jeśli proces podgrzewania został zakończony.

- Podczas pracy urządzenia temperatura powierzchni dostępnej dla użytkownika może być wysoka.
- **OSTRZEŻENIE:** W celu uniknięcia poparzeń, zawartość butelek lub słoiczków z żywnością dla niemowląt wstrząsnąć lub wymieszać przed spożyciem oraz sprawdzić temperaturę napoju lub pokarmu.
- **OSTRZEŻENIE:** Podgrzewanie napojów w kuchenke mikrofalowej może prowadzić do opóźnionego gwałtownego wrzenia. Zachować ostrożność podczas przenoszenia pojemnika.
- Kuchenki mikrofalowej nie umieszczać w szafce kuchennej, jeśli nie była testowana fabrycznie pod kątem zastosowania w szafkach.
- Kuchenki mikrofalowe nie są przystosowane do obsługi za pomocą zewnętrznego minutnika lub oddzielnego systemu zdalnego sterowania.
- Drzwiczki lub powierzchnia zewnętrzna może być gorąca podczas pracy urządzenia.
- Płyta ceramiczna znajdująca się w komorze gotowania może mocno się nagrzewać; po zakończeniu gotowania nie wolno jej dotykać - w przeciwnym razie użytkownik naraża się na poparzenie dłoni.
- Nigdy nie należy mocno naciskać na płytę ceramiczną.
- Nieostrożne wstawianie pojemników do komory gotowania może uszkodzić płytę ceramiczną.
- Nie kłaść żadnych przedmiotów na urządzeniu. Nad urządzeniem pozostawić co najmniej 15 cm prześwitu.
- Żarówka zainstalowana wewnątrz urządzenia służy do jego oświetlenia. Żarówki nie stosować do oświetlenia pomieszczenia.
- Ryzyko poparzenia. Urządzenie może nagrzewać się podczas użytkowania. Uważać, by nie dotknąć elementów grzejnych w komorze urządzenia.
- Ryzyko poparzenia. Naczynia mogą nagrzewać się od podgrzanej żywności. Wyjmując podgrzaną żywność z kuchenki, należy zatem zawsze stosować rękawice kuchenne.
- Należy upewnić się, czy podczas korzystania z kuchenki drzwiczki są dobrze zamknięte.
- **NIEBEZPIECZEŃSTWO! Zagrożenie porażeniem prądem** Dotknięcie niektórych komponentów wewnętrznych urządzenia może prowadzić do poważnych obrażeń ciała lub śmierci. Nie dokonywać demontażu urządzenia.
- **OSTRZEŻENIE! Zagrożenie porażeniem prądem** Niewłaściwe uziemienie może prowadzić do porażenia prądem. Nie wkładać wtyczki do kontaktu, jeśli urządzenie nie zostało odpowiednio zainstalowane i uziemione.



---

## Przeznaczenie

- Urządzenie przeznaczone jest do zastosowania profesjonalnego.
- Urządzenie przeznaczone jest wyłącznie do podgrzewania i rozmrażania żywności w naczyniach przystosowanych do użytku w kuchenkach mikrofalowych. Każde inne użycie może prowadzić do poważnego uszkodzenia urządzenia lub zranienia osób.
- Wykorzystanie urządzenia w jakimkolwiek innym celu uznane będzie za wykorzystanie niezgodne z przeznaczeniem. Użytkownik będzie wyłącznie odpowiedzialny za nieprawidłowe wykorzystanie urządzenia.

---

## Instalacja uziemienia

Urządzenie to jest klasyfikowane jako **klasa ochrony I** i musi być połączone z podłożem ochronnym. Uziemienie zmniejsza ryzyko porażenia prądem elektrycznym, dostarczając przewód ewakuacyjny dla prądu elektrycznego.

To urządzenie jest wyposażone w przewód zasilający, który ma przewód uziemiający i uziemioną wtyczkę. Wtyczka musi być podłączona do gniazdka, które jest prawidłowo zainstalowane i uziemione.

---

## Naczynia

Stosowanie w kuchenke mikrofalowej niektórych naczyń niemetalowych może nie być bezpieczne. W przypadku wątpliwości można

przetestować dane naczynie z zastosowaniem następującej procedury.

### Test naczyń kuchennych:

Napełnić pojemnik, który chcemy przetestować w kuchenke mikrofalowej 1 szklanką [250 ml] zimnej wody i włożyć dane naczynie do komory kuchenki.

Podgrzewać przez 1 minutę z zastosowaniem

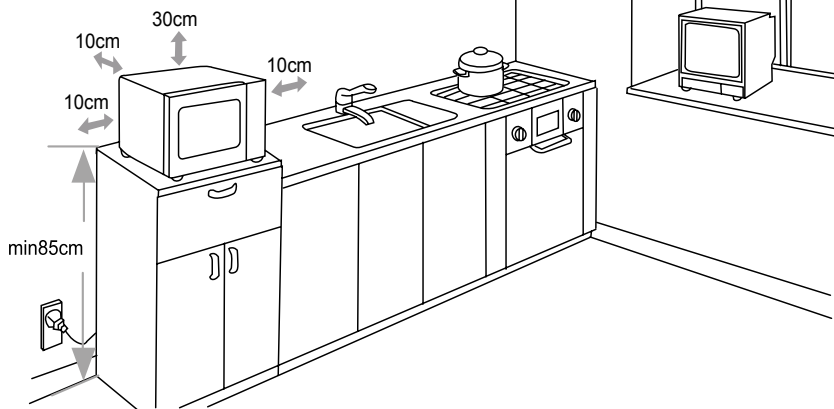
największej mocy. Ostrożnie dotknąć naczynie. Jeśli naczynie jest ciepłe, nie stosować go w kuchenke mikrofalowej. Nie przekraczać maksymalnego czasu podgrzewania testowego wynoszącego 1 min.

---

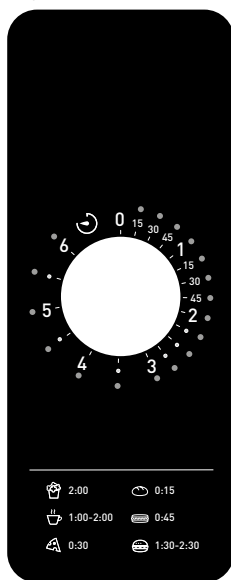
## Przygotowanie przed pierwszym użyciem.

- Zdjąć opakowanie i akcesoria.
- Obejrzeć kuchenkę pod kątem ewentualnych wgnieceń lub uszkodzeń drzwi. Nie instalować kuchenki, jeżeli jest ona uszkodzona.
- Usunąć ewentualną folię ochronną znajdującą się na powierzchni kuchenki mikrofalowej.
- Zachowaj opakowanie na wypadek konieczności spakowania urządzenia w przyszłości.
- Umyć wnętrze mikrofalówki za pomocą miękkiej szmatki zwilżonej letnią wodą.
- Umyć wszystkie komponenty.
- Umieścić mikrofalówkę na równej, wypozymowanej powierzchni.
- W celu zapewnienia prawidłowej wentylacji wokół kuchenki z każdej strony pozostawić wolną przestrzeń równą 10 cm, a od góry wynoszącą 30 cm.
- Nie kłaść żadnych przedmiotów na kuchenke mikrofalowej. Niebezpieczeństwo pożaru.
- Ustawić kuchenkę w taki sposób, aby wtyczka była zawsze łatwo dostępna.
- Kuchenkę umieścić możliwie najdalej od odbiorników radiowych i telewizyjnych. Użytkowanie kuchenki mikrofalowej może wywoływać zakłócenia w odbiorze radiowym lub telewizyjnym.

## Wytyczne dotyczące lokalizacji



## Użytkowanie



Obrócić pokrętko w celu wyboru czasu podgrzewania

Podłączyć urządzenie do prądu. Jednokrotny sygnał brzęczyka sygnalizuje, że urządzenie jest gotowe do użycia. Otworzyć drzwiczki i umieścić produkt spożywczy w kuchenke. Zamknąć drzwiczki i obrócić pokrętko w celu ustawienia czasu podgrzewania. Kuchenka mikrofalowa natychmiast rozpocznie pracę. Kuchenka ustawiona jest na standardowy poziom mocy, którego nie można regulować. Kiedy czas podgrzewania zakończy się, brzęczyk wyda kilka razy sygnał dźwiękowy i urządzenie powróci do trybu gotowości.

PL

**UWAGA:** Poziom mocy jest stały, i nie można go ani zmienić ani regulować. Podane czasy gotowania dla różnych rodzajów żywności są wyłącznie orientacyjne

Jeśli drzwiczki kuchenki zostaną otwarte w trakcie podgrzewania, kuchenka przerwie pracę, a po zamknięciu drzwiczek po kilku sekundach zresetuje się i wznowi działanie. W trakcie pracy można dostosować czas podgrzewania, odpowiednio obracając pokrętko. Ustawienie pokrętki w pozycji „0” powoduje wyłączenie kuchenki - brzęczyk wyda sygnał dźwiękowy wskazując, że urządzenie zakończyło pracę.



## Czyszczenie i konserwacja

- Przed czyszczeniem urządzenia bezwzględnie wyjąć wtyczkę z gniazdka.
- Ostrożnie: Nie zanurzać kuchenki mikrofalowej w wodzie ani w innej substancji płynnej.
- Zewnętrzne powierzchnie kuchenki mikrofalowej czyścić przy użyciu szmatki zmoczonej w wodzie z dodatkiem łagodnego detergentu. Wytrzeć do sucha.
- W celu usunięcia resztek żywności i tłuszczu wewnętrzne powierzchnie i drzwiczki kuchenki mikrofalowej czyścić przy użyciu szmatki zmoczonej w wodzie z dodatkiem łagodnego detergentu.
- Natychmiast usuwać wszelkie rozlane ciecze. W przeciwnym razie może dojść do ich przypalenia i będzie wydzielat się nieprzyjemny zapach.
- Utrzymywać w czystości uszczelki drzwiowe poprzez regularne czyszczenie za pomocą szmatki zmoczonej w wodzie z dodatkiem łagodnego detergentu.
- Nie stosować żrących środków czyszczących lub ściernych. Nie stosować ostrych ani ostro zakończonych przedmiotów. Nie stosować benzyny ani rozpuszczalników. Czyścić za pomocą szmatki zmoczonej w wodzie z dodatkiem detergentu (jeśli konieczny). Nie stosować materiałów ściernych.
- Regularnie czyścić filtr tłuszczu i powietrza; w przeciwnym razie kuchenka może się przegrzewać lub pozostałości starego tłuszczu mogą dostać się do przygotowywanej żywności.

## Wyszukiwanie i rozwiązywanie problemów

Następujące sytuacje mogą być traktowane jako normalne skutki pracy urządzenia.

- Podczas pracy urządzenie może powodować zakłócenia w odbiorze radiowym i telewizyjnym.
- Światelko w kuchence może być przygaszone podczas pracy.
- W trakcie podgrzewania z produktów spożywczych może unosić się para, która może gromadzić się na zimniejszych częściach urządzenia, np. na drzwiczkach.

PL

Problem	Możliwa przyczyna	Rozwiązanie
Kuchenka mikrofalowa nie działa	Przewód zasilający nie jest podłączony prawidłowo.	Sprawdzić, czy przewód zasilający jest podłączony prawidłowo.
	Przepalony bezpiecznik lub aktywowany wyłącznik nadprądowy.	Wymienić bezpiecznik lub zresetować wyłącznik. W przypadku wątpliwości związanych z wykonaniem tej czynności skontaktować się z dostawcą lub autoryzowanym serwisem.
	Uszkodzone gniazdo zasilania	Sprawdzić gniazdo zasilania podłączając inne urządzenie i sprawdzić wyłącznik nadprądowy.
Potrawy w kuchence nie są podgrzewane	Niedomknięte drzwiczki	Sprawdzić, czy drzwiczki kuchenki zamykają się prawidłowo. Jeśli drzwiczki nie zamykają się prawidłowo, skontaktować się z dostawcą lub autoryzowanym serwisem.





## Specyfikacja techniczna

Numer produktu: 281352

Napięcie robocze i częstotliwość: 230V~ 50Hz

Znamionowy pobór mocy: 1550W

Znamionowa moc wyjściowa: 1000W

Pojemność komory Kuchenki: 25 liters

Klasa ochronności: Klasa I

Częstotliwość mikrofal: 2450MHz

Wymiary: 511 x 432 x (H) 311 mm

Masa netto [ok.]: 14,7kg

**Uwaga: Specyfikacja techniczna może ulec zmianie bez uprzedzenia.**

## Gwarancja

Każda wada bądź usterka powodująca niewłaściwe funkcjonowanie urządzenia, która ujawni się w ciągu jednego roku od daty zakupu, zostanie bezpłatnie usunięta lub urządzenie zostanie wymienione na nowe, o ile było użytkowane i konserwowane zgodnie z instrukcją obsługi i nie było wykorzystywane w niewłaściwy sposób lub niezgodnie z przeznaczeniem. Postanowienie to w żadnej mierze nie narusza innych praw użytkownika wynikających z przepisów

prawa. W przypadku zgłoszenia urządzenia do naprawy lub wymiany w ramach gwarancji należy podać miejsce i datę zakupu urządzenia i dołączyć dowód zakupu (np. paragon).

Zgodnie z naszą polityką ciągłego doskonalenia wyrobów zastrzegamy sobie prawo do wprowadzania bez uprzedzenia zmian w wyrobie, opakowaniu oraz danych technicznych podawanych w dokumentacji.

## Wycofanie z użytkowania i ochrona środowiska

### Pamiętaj!

**Nie wyrzucaj zużytego sprzętu łącznie z innymi odpadami**

**Nie demontuj zużytych urządzeń zawierających niebezpieczne składniki na własną rękę!**

**Groź Ci za to kary grzywny!**

Po zakończeniu eksploatacji produktu nie wolno gromadzić razem z odpadami komunalnymi, tylko należy odstawić do punktu odbioru odpadów elektrycznych i elektronicznych. Użytkownik ponosi odpowiedzialność za przekazanie wycofanego z użytkowania urządzenia do punktu gospodarowania odpadami. Nieprzestrzeganie tej zasady może być karane zgodnie z lokalnie obowiązującymi przepisami dotyczącymi gospodarowania odpadami. Jeśli urządzenie wycofane z użytkowania jest po prostu odebrane jako osobny odpad, może zostać przetworzone i zutylizowane w sposób przyjazny dla środowiska, co zmniejsza negatywny wpływ na środowisko i zdrowie ludzi. Aby uzyskać więcej informacji dotyczących dostępnych usług w zakresie odbioru odpadów, należy skontaktować się z lokalną firmą odbierającą odpady.



**Symbol przekreślonego kosza na śmieci oznacza, że tego produktu nie wolno wyrzucać do zwykłych pojemników na odpady.**

PL

Zużyte urządzenia elektryczne i elektroniczne mogą zawierać niebezpieczne składniki np. rtęć, ołów, kadm lub freon. Jeśli tego typu substancje przedostaną się w sposób niekontrolowany do środowiska, spowodują skażenie wody i gleby, a także wpłyną niekorzystnie na zdrowie ludzi i zwierząt.

Właściwe postępowanie ze zużytym sprzętem zapobiega potencjalnym negatywnym konsekwencjom dla środowiska naturalnego i ludzkiego zdrowia.


Jednocześnie oszczędzamy naturalne zasoby naszej Ziemi wykorzystując powtórnie surowce uzyskane z przetwarzania sprzętu.



Cher client,

Merci d'avoir acheté cet appareil HENDI. Lisez attentivement ce manuel, en accordant une attention particulière aux règles de sécurité décrites ci-dessous, avant d'installer et d'utiliser cet appareil pour la première fois.

## Règlement sur la sécurité

- L'appareil est destiné à un usage commercial.
- N'utilisez l'appareil qu'aux fins prévues pour lesquelles il a été conçu comme décrit dans le présent manuel.
- Le fabricant n'est pas responsable des dommages causés par un mauvais fonctionnement et une mauvaise utilisation.
- Gardez l'appareil et la prise électrique à l'écart de l'eau et des autres liquides. Dans le cas où l'appareil tombe dans l'eau, retirez immédiatement la prise d'alimentation de la prise. N'utilisez pas l'appareil tant qu'elle n'a pas été vérifiée par un technicien certifié. Si vous ne respectez pas ces instructions, vous risquez de mettre la vie en danger.
- N'essayez jamais d'ouvrir le boîtier de l'appareil par vous-même.
- N'insérez pas d'objets dans le boîtier de l'appareil.
- Ne touchez pas la prise avec les mains mouillées ou humides.
-  **DANGER DE CHOC ÉLECTRIQUE!** N'essayez pas de réparer l'appareil par vous-même, les réparations doivent être effectuées uniquement par du personnel qualifié.
- **N'utilisez jamais un appareil endommagé!** Lorsqu'il est endommagé, débranchez l'appareil de la prise et contactez le détaillant.
- **AVERTISSEMENT!** Ne pas immerger les parties électriques de l'appareil dans de l'eau ou d'autres liquides.
- Ne tenez jamais l'appareil sous l'eau courante.
- Vérifiez régulièrement la prise d'alimentation et le cordon pour tout dommage. Lorsqu'il est endommagé, il doit être remplacé par un agent de service ou une personne qualifiée de la même manière afin d'éviter un danger ou une blessure.
- Assurez-vous que le cordon n'entre pas en contact avec des objets tranchants ou chauds et maintenez-le à l'écart du feu ouvert. Ne tirez jamais le cordon d'alimentation pour le débrancher de la prise, tirez toujours la prise à la place.
- Assurez-vous que le cordon d'alimentation et/ou le rallonge ne présentent pas de risque de déclenchement.
- Ne laissez jamais l'appareil sans surveillance pendant l'utilisation.
- **AVERTISSEMENT!** Tant que la prise est dans la prise, l'appareil est connecté à la source d'alimentation.
- Éteignez l'appareil avant de le débrancher de la prise.
- Connectez la prise d'alimentation à une prise électrique facilement accessible afin qu'en cas d'urgence l'appareil puisse être débranché immédiatement.


FR



- Ne portez jamais l'appareil par le cordon.
- N'utilisez pas de périphériques supplémentaires qui ne sont pas fournis avec la solution matérielle-logicielle.
- Connectez uniquement l'appareil à une prise électrique dont la tension et la fréquence sont indiquées sur l'étiquette de l'appareil.
- N'utilisez jamais d'accessoires autres que ceux recommandés par le fabricant. Le fait de ne pas le faire pourrait présenter un risque pour la sécurité de l'utilisateur et pourrait endommager l'appareil. Utilisez uniquement des pièces et accessoires d'origine.
- Cet appareil ne doit pas être utilisé par des personnes ayant des capacités physiques, sensorielles ou mentales réduites, ou par des personnes qui ont un manque d'expérience et de connaissances.
- Cet appareil ne doit en aucun cas être utilisé par des enfants.
- Gardez l'appareil et son cordon d'alimentation hors de portée des enfants.
- **ATTENTION:** éteignez TOUJOURS l'appareil et débranchez de la prise d'alimentation avant le nettoyage, l'entretien ou le stockage.

## Règlement spécial sur la sécurité

**AVERTISSEMENT :** Ne réchauffez pas les liquides ou autres aliments dans un four à micro-ondes dans des récipients fermés, en bouteilles etc. car cela peut provoquer des explosions d'un récipient ou d'une bouteille etc.

- N'utilisez pas le four à micro-ondes sans les produits alimentaires à l'intérieur. Cela est très dangereux.
- Le four à micro-ondes est utilisé pour chauffer des aliments et des boissons. Le séchage de la nourriture ou des vêtements, le chauffage des coussins chauffants, des pantoufles, des éponges ou des chiffons humides etc. peut provoquer un incendie.
- Utilisez l'appareil uniquement conformément au présent mode d'emploi.
- L'appareil ne doit être utilisé que par le personnel qualifié des cuisines des restaurants, des cantines ou par le personnel du bar.
- Cet appareil est destiné à être utilisé dans les situations telles que:
  - cuisines pour les employés dans des magasins, les bureaux ou autres lieux de travail ;
  - exploitations agricoles ;
  - cuisines utilisées par les clients dans des hôtels, les motels ou autres zones résidentielles ;
  - hôtels „bed and breakfast”.
-  **ATTENTION ! La surface chaude !** Pendant le fonctionnement la porte en verre et les autres surfaces disponibles chauffent à des températures élevées. Touchez uniquement le panneau de contrôle.
- Le four à micro-ondes doit être nettoyé régulièrement ; il faut enlever les débris de nourriture.

FR



- Le four à micro-ondes n'est pas conçu pour un usage avec une minuterie externe ou une télécommande séparée.
- Ne faites pas fonctionner le four à micro-ondes lorsque la porte est ouverte, car cela peut provoquer l'exposition à une énergie sous forme de rayonnement micro-ondes. N'enlevez pas ou ne modifiez pas les verrouillages de sécurité.
- Ne placez aucuns objets entre le boîtier et la porte du four à micro-ondes, ne permettez pas l'accumulation des saletés ou des résidus du détergent de nettoyage sur les surfaces d'étanchéité.
- **AVERTISSEMENT** : Si la porte ou les joints d'étanchéité sont endommagés, n'utilisez pas le four à micro-ondes jusqu'à la réparation par un service autorisé et formé.
- Si vous ne maintenez pas le four à micro-ondes propre, vous risquez une détérioration des surfaces externes et internes (chambre de cuisson), ce qui ensuite peut nuire à la durée de vie de l'appareil et conduire à une situation dangereuse.
- Avant d'utiliser l'appareil vérifiez que le filtre de graisse et le filtre d'air sont correctement installés.
- **AVERTISSEMENT** : Il est dangereux d'effectuer toute opération de maintenance ou de réparation qui conduisent à l'élimination du couvercle protégeant contre l'exposition au rayonnement à micro-ondes, par une personne autre que le personnel du service autorisé et formé.
- Pour cuire / réchauffer les aliments dans le four à micro-ondes, utilisez uniquement les plats appropriés pour une utilisation dans un four à micro-ondes. N'utilisez pas les ustensiles ou les couverts qui sont faits en métal ou contenant du métal, du papier d'aluminium, du cristal au plomb, des matières plastiques non résistant à des températures élevées, ou contenant les attaches en métal ou en bois ou des bandes en fil. N'utilisez pas les bols avec le bord en métal ou les bols en plastique avec le couvercle partiellement enlevé. Danger d'incendie.
- En raison du risque d'inflammation, observez le processus de cuisson des aliments emballés dans des récipients en plastique ou en papier.
- Si vous apercevez la fumée, éteignez l'appareil et retirez la fiche de la prise, n'ouvrez pas la porte. Cela permet éteindre le feu plus rapidement.
- N'utilisez pas l'intérieur du four à micro-ondes pour stocker les produits. Ne gardez pas dans le four à micro-ondes les produits alimentaires tels que le pain, les biscuits etc.
- Avant de placer dans le four les conteneurs / les sacs en papier ou en plastique, retirez des clips et des éléments métalliques.
- Ne chauffez pas dans le four à micro-ondes des œufs dans la coquille et des œufs durs, car ils peuvent exploser, même si le processus de chauffage est terminé.
- Pendant le fonctionnement de l'appareil, la température de la surface disponible pour l'utilisateur peut être élevée.
- **AVERTISSEMENT** : Pour éviter toute brûlure, agitez et remuez le contenu des

bouteilles et des pots avec la nourriture pour les nourrissons et vérifiez la température de la boisson ou de la nourriture.

- **AVERTISSEMENT** : le chauffage des boissons dans le four à micro-ondes peut entraîner une ébullition brusque et retardée. Soyez prudent lors de la manipulation du récipient.
- Le four à micro-ondes ne peut pas être placé dans une armoire si le four n'a pas été testé à l'usine pour une utilisation dans des armoires.
- Les fours à micro-ondes ne sont pas adaptés pour une utilisation à l'aide d'une minuterie externe ou d'un système de contrôle à distance séparé.
- La porte ou la surface externe peuvent être chaudes pendant le fonctionnement de l'appareil.
- La plaque céramique située dans la chambre de cuisson peut chauffer fortement ; après avoir terminé la cuisson ne la touchez pas – sinon, l'utilisateur risque de se brûler la main.
- N'appuyez jamais trop fort sur la plaque céramique.
- L'insertion imprudente des récipient dans la chambre de cuisson peut endommager la plaque céramique.
- Ne placez aucuns objets sur l'appareil. Laissez un espace minimal de 15 cm au-dessus de l'appareil.
- L'ampoule est installée à l'intérieur de l'appareil et est utilisée pour l'éclairage. L'ampoule ne peut pas être utilisée pour éclairer un local.
- Le risque de brûlures. L'appareil peut réchauffer pendant l'utilisation. Veillez à ne pas toucher les éléments chauffants dans la chambre de l'appareil.
- Le risque de brûlures. La nourriture chauffée peut chauffer aussi les ustensiles. En supprimant la nourriture chauffée du four, utilisez toujours les gants de cuisine. »
- Assurez-vous que pendant l'utilisation du four la porte est bien fermée.
- **DANGER! Risque d'électrocution.** Le contact avec certains composants internes de l'appareil peut entraîner des blessures graves ou la mort. Ne démontez pas l'appareil.
- **AVERTISSEMENT! Risque d'électrocution.** La mise à terre incorrecte peut entraîner un choc électrique. N'insérez pas la fiche dans la prise, si l'appareil n'a pas été correctement installé et mis à la terre.

FR

### Utilisation prévue

- L'appareil est destiné à un usage professionnel.
- L'appareil est destiné à un usage commercial et est utilisé pour chauffer et décongeler des produits alimentaires en utilisant des plats appropriés. L'utilisation de l'appareil à d'autres fins peut entraîner des dommages ou des blessures.
- L'utilisation de l'appareil à d'autres fins sera considérée comme une utilisation inappropriée. L'utilisateur sera seul responsable de l'utilisation incorrecte de l'appareil.



## Installation de mise à la terre

Cet appareil est classé dans la **classe de protection I** et doit être raccordé à un sol de protection. La mise à la terre réduit le risque de choc électrique en fournissant un fil d'évacuation pour le courant électrique. Cet appareil est

équipé d'un cordon d'alimentation muni d'un fil de mise à la terre et d'une prise mise à la terre. La fiche doit être branchée sur une prise correctement installée et mise à la terre.

## Ustensiles

L'utilisation dans le four à micro-ondes de certains plats non métalliques peut être dange-

reuse. Si vous avez des doutes, testez un plat donné en utilisant la procédure suivante.

### Test des ustensiles de cuisine :

Remplissez un récipient que vous voulez utiliser dans le four en versant 1 verre d'eau froide (250 ml) et mettez-le dans la chambre du four. Chauffez pendant 1 minute en utilisant la puis-

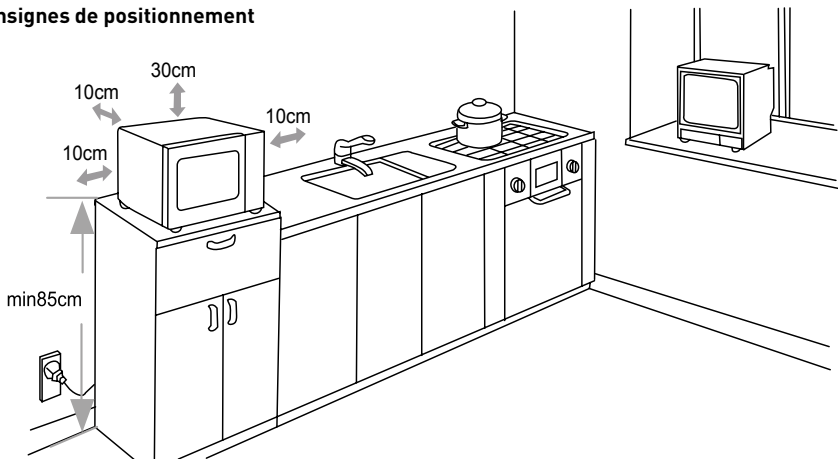
sance maximale. Touchez délicatement un plat. S'il est chaud, n'utilisez pas dans le four. Ne dépassez pas le temps maximal de test à savoir 1 minute.

### Préparation avant la première utilisation.

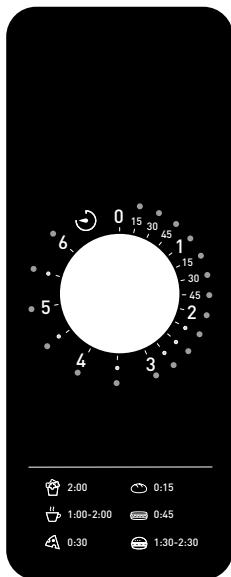
- Retirez l'emballage et les accessoires.
- Contrôlez l'appareil visuellement pour trouver des bosses et des dommages éventuels à la porte. N'installez pas le four à micro-ondes s'il est endommagé.
- Retirez le film protecteur qui se trouve sur la surface du four.
- Conservez l'emballage si vous avez l'intention de stocker votre appareil à l'avenir.
- Lavez l'intérieur du four à micro-ondes en utilisant un chiffon doux imbibé d'eau tiède.
- Lavez tous les composants.
- Placez le four à micro-ondes sur une surface plane et égale.
- Pour assurer une ventilation correcte autour du four, laissez de chaque côté un espace libre égal à 10 cm et à 30 cm du haut.
- Ne placez aucuns objets sur le four à micro-ondes. Le risque d'incendie.
- Placez le four de manière à ce que la prise soit facilement accessible.
- Placez le four le plus loin possible de toute radio ou télévision. Le utilisation du four peut provoquer des interférences dans le fonctionnement de la radio ou de la télé.

FR

### Consignes de positionnement



## Utilisation



— Tournez le bouton pour sélectionner le temps de chauffage

Branchez l'appareil à l'alimentation électrique. Un bip unique signale que l'appareil est prêt à l'emploi. Ouvrez la porte et placez le produit alimentaire dans le four à micro-ondes. Fermez la porte et tournez le bouton pour régler le temps de chauffage. Le four à micro-ondes commence immédiatement le fonctionnement. Le four est réglé d'origine à un niveau de puissance standard qui ne peut pas être réglé. Quand le temps de chauffage est terminé, le buzzer émet plusieurs fois et l'appareil retourne en mode de veille.

NOTE: Le niveau de puissance est fixe et ne peut pas être modifié ou réglé. Le temps de cuisson indiqué pour les différents types d'aliments est seulement indicatif.

Lors de l'ouverture de la porte tandis que le micro-ondes chauffe au micro-ondes arrête, après la fermeture de la porte du four micro-ondes a besoin de quelques secondes pour réinitialiser et commencer à fonctionner à nouveau. Pendant le fonctionnement, vous pouvez régler l'heure en tournant le bouton, lors de la rotation du bouton '0' au micro-ondes cessera de fonctionner et le buzzer retentit pour indiquer que le micro-ondes est terminé.

FR

## Nettoyage et entretien

- Avant de nettoyer l'appareil, retirez absolument la fiche de la prise.
- Attention : n'immergez pas le four à micro-ondes dans l'eau ou dans une autre substance liquide.
- Nettoyez les surfaces extérieures du four à micro-ondes en utilisant un chiffon imbibé d'eau et un détergent doux. Essuyez.
- Pour éliminer les débris alimentaires et de la graisse, nettoyez les surfaces internes et la porte du four en utilisant un chiffon imbibé d'eau et un détergent doux.
- Enlevez immédiatement les liquides renversés. Sinon, les liquides peuvent brûler et émettre une odeur désagréable.
- Maintenez propres les joints d'étanchéité de

- la porte en les nettoyant régulièrement avec un chiffon imbibé d'eau et un détergent doux.
- N'utilisez pas de nettoyeurs abrasifs ou corrosifs. N'utilisez pas des objets tranchants ou pointus. N'utilisez pas d'essence ou de solvants. Nettoyez avec un chiffon imbibé d'eau et un détergent (si nécessaire). N'utilisez pas de matériaux abrasifs.
- Nettoyez régulièrement le filtre de graisse et de l'air. Sinon le four peut surchauffer ou la vieille graisse peut pénétrer les plats préparés.
- Nettoyez régulièrement le filtre de graisse et de l'air. Sinon le four peut surchauffer ou la vieille graisse peut pénétrer les plats préparés.



## Identifier et résoudre les problèmes

Les situations suivantes peuvent être considérées comme les effets normaux du fonctionnement de l'appareil.

- Pendant le fonctionnement l'appareil peut provoquer les interférences du fonctionnement de la radio ou de la télé.
- La lumière dans le four à micro-ondes peut

être légèrement réduite pendant le fonctionnement.

- Pendant le processus de chauffage des produits alimentaires peuvent émettre de la vapeur qui peut s'accumuler sur les parties plus froides de l'appareil, par exemple sur la porte.

Problème	Cause possible	Solution
Le four à micro-ondes ne fonctionne pas	Le câble d'alimentation n'est pas correctement branché.	Vérifiez si le câble d'alimentation est correctement branché.
	Un fusible brûlé ou un disjoncteur activé.	Remplacez le fusible et réenclenchez le disjoncteur. En cas de doutes liés à l'exécution de cette opération, contactez votre revendeur ou un service agréé.
	Prise de courant endommagé.	Vérifiez la prise d'alimentation en branchant un autre appareil et vérifiez le disjoncteur.
Les plats dans le four ne sont pas chauffés.	La porte n'est pas correctement fermée.	Vérifiez que la porte du four ferme correctement. Si elle ne ferme pas correctement, contactez votre revendeur ou un service agréé.

FR

## Caractéristiques techniques

Numéro de produit: 281352

Tension et fréquence: 230V~ 50Hz

Puissance nominale: 1550W

Puissance de sortie nominale: 1000W

Capacité du compartiment du four: 25 liters

Classe de protection: Classe I

Fréquence des micro-ondes: 2450MHz

Dimensions: 511 x 432 x (H) 311 mm

Poids net (environ): 14,7kg

**Remarque :** Les caractéristiques techniques peuvent être modifiées sans préavis.





---

## Garantie

Tout vice ou toute défaillance entraînant un dysfonctionnement de l'appareil qui se déclare dans les 12 mois suivant la date de l'achat sera éliminé à titre gratuit ou l'appareil sera remplacé par un appareil nouveau si le premier a été dûment exploité et entretenu conformément aux termes de la notice d'exploitation et s'il n'a pas été indûment exploité ou de manière non conforme à sa destination. La présente stipulation ne porte pas de préjudice aux autres droits de l'utilisateur prévus par les dispositions légales. Dans le cas où l'appareil

est donné à la réparation ou doit être remplacé dans le cadre de la garantie, il y a lieu de spécifier le lieu et la date de l'achat de l'appareil et produire un justificatif nécessaire (par ex. facture ou ticket de caisse).

Conformément à notre politique d'amélioration permanente de nos produits, nous nous réservons le droit d'introduire sans avertissement préalable des modifications à l'appareil, à l'emballage et aux caractéristiques techniques précisées dans la documentation.

---

## Élimination et protection de l'environnement

En cas de retrait du produit de l'exploitation l'appareil ne peut pas être jeté avec d'autres déchets ménagers. L'utilisateur est responsable de la remise de l'équipement au point de collecte approprié pour l'équipement usagé. Le non-respect des dispositions ci-dessus peut entraîner les pénalités conformément à la réglementation applicable en matière d'élimination des déchets. La collecte sélective et le recyclage des équipements usagés contribuent à la conservation des ressources natu-

relles et assurent un recyclage sans danger pour la santé et l'environnement. Pour plus d'informations sur les endroits de collecte des équipements usagés pour le recyclage, contactez la société de collecte des déchets locale. Le producteur et l'importateur ne sont pas responsables du recyclage et du traitement des déchets d'une manière respectueuse de l'environnement directement et dans le système public.


FR



Gentile Cliente,

Grazie per aver acquistato questo apparecchio HENDI. Leggere attentamente questo manuale, prestando particolare attenzione alle norme di sicurezza descritte di seguito, prima di installare e utilizzare questo apparecchio per la prima volta.

## Norme di sicurezza

- Questo apparecchio è destinato all'uso commerciale.
- Utilizzare l'apparecchio solo per lo scopo previsto per il quale è stato progettato come descritto nel presente manuale.
- Il produttore non è responsabile per eventuali danni causati da un funzionamento scorretto e da un uso improprio.
- Tenere l'apparecchio e la spina elettrica lontano da acqua e altri liquidi. Nel caso in cui l'apparecchio cada in acqua, rimuovere immediatamente la spina di alimentazione dalla presa. Non utilizzare l'apparecchio fino a quando non è stato controllato da un tecnico certificato. Il mancato rispetto di queste istruzioni causerà rischi pericolosi per la vita.
- Non tentare mai di aprire l'alloggiamento dell'apparecchio da soli.
- Non inserire oggetti nell'alloggiamento dell'apparecchio.
- Non toccare la spina con le mani bagnate o umide.
-  **PERICOLO DI SCOSSE ELETTRICHE!** Non tentare di riparare l'apparecchio da solo, le riparazioni devono essere eseguite solo da personale qualificato.
- **Non utilizzare mai un apparecchio danneggiato!** Quando è danneggiato, scollegare l'apparecchio dalla presa e contattare il rivenditore.
- **AVVERTIMENTO!** Non immergere le parti elettriche dell'apparecchio in acqua o altri liquidi.
- Non tenere mai l'apparecchio sotto l'acqua corrente.
- Controllare regolarmente la spina e il cavo di alimentazione per eventuali danni. Se danneggiato, deve essere sostituito da un agente di servizio o da una persona altrettanto qualificata al fine di evitare pericoli o lesioni.
- Assicurarsi che il cavo non entri in contatto con oggetti appuntiti o caldi e tenerlo lontano dal fuoco aperto. Non tirare mai il cavo di alimentazione per scollegarlo dalla presa, staccare sempre la spina.
- Assicurarsi che il cavo di alimentazione e/o la prolunga non causino rischi di inciampare.
- Non lasciare mai l'apparecchio incustodito durante l'uso.
- **AVVERTIMENTO!** Finché la spina si trova nella presa, l'apparecchio è collegato alla fonte di alimentazione.
- Spegnere l'apparecchio prima di scollegarlo dalla presa.
- Collegare la spina di alimentazione a una presa elettrica facilmente accessibile in modo che in caso di emergenza l'apparecchio possa essere scollegato immediatamente.


IT



- Non portare mai l'apparecchio con il cavo.
- Non utilizzare dispositivi aggiuntivi non forniti insieme all'apparecchio.
- Collegare l'apparecchio a una presa elettrica solo con la tensione e la frequenza indicati sull'etichetta dell'apparecchio.
- Non utilizzare mai accessori diversi da quelli consigliati dal produttore. In caso contrario, potrebbe comportare un rischio per la sicurezza dell'utente e danneggiare l'apparecchio. Utilizzare solo parti e accessori originali.
- Questo apparecchio non deve essere utilizzato da persone con capacità fisiche, sensoriali o mentali ridotte o da persone che hanno una mancanza di esperienza e conoscenze.
- Questo apparecchio non deve, in nessun caso, essere utilizzato dai bambini.
- Tenere l'apparecchio e il suo cavo di alimentazione fuori dalla portata dei bambini.
- **ATTENZIONE:** spegnere SEMPRE l'apparecchio e scollegarlo dalla presa di corrente prima della pulizia, della manutenzione o della conservazione.

## Norme speciali di sicurezza

**ATTENZIONE:** Non scaldare liquidi o altri alimenti nel forno a microonde in contenitori chiusi, in bottiglie ecc. perché questo può causare l'esplosione del contenitore o della bottiglia ecc.

- Non usare il forno a microonde senza i prodotti alimentari all'interno. Questo è molto pericoloso.
- Il forno a microonde è utilizzato per riscaldare cibi e bevande. L'essiccazione del cibo o dei vestiti o il riscaldamento di cuscini riscaldanti, pantofole, spugne, stracci umidi ecc. può provocare incendi.
- Utilizzare questo apparecchio unicamente secondo le presenti istruzioni.
- L'apparecchio deve essere utilizzato unicamente solo da personale addestrato da cucina di un ristorante, di mense o dal personale di un bar.
- L'apparecchio è destinato ad essere utilizzato luoghi come;
  - cucine per gli impiegati dei negozi, degli uffici ed in altri luoghi di lavoro
  - aziende agricole;
  - cucine destinate ad essere utilizzate dagli ospiti in alberghi motel e altre zone residenziali;
  - alberghi tipo „bed and breakfast”.
-  **ATTENZIONE! Superficie calda!** Durante il funzionamento, la porta di vetro ed altre superfici disponibili si riscaldano a temperature molto alte. Toccare solo il pannello di controllo.
- This microwave should be cleaned regularly and any food depos
- Pulire regolarmente il forno e rimuovere i residui di cibo accumulato all'interno.
- Il forno a microonde non è progettato per l'uso con il timer esterno o telecomando separato.
- Non far funzionare il forno a microonde quando la porta è aperta perché questo può portare a un'esposizione di energia sotto forma di radiazione a microonde.



Non rimuovere o modificare le serrature di sicurezza.

- Non mettere alcun oggetto tra il contenitore e la porta del forno a microonde; non permettere di accumulare la sporcizia o i residui di un detergente sulle superfici di tenuta.
- **ATTENZIONE:** Se la porta o le guarnizioni della porta sono state danneggiate, non usare il forno a microonde fino alla riparazione dell'apparecchio da un centro di assistenza autorizzato e addestrato.
- In caso di non mantenere il forno pulito, si può portare a un deterioramento delle superfici esterne e interne (camera di cottura) che poi può influire negativamente sulla durata di vita dell'apparecchio e portare ad una situazione di pericolo.
- Prima di procedere all'utilizzo dell'apparecchio accertare il corretto montaggio del filtro grassi e quello dell'aria.
- **ATTENZIONE:** è pericoloso eseguire qualsiasi intervento di manutenzione o di riparazione che coinvolgono la rimozione del coperchio di protezione contro l'esposizione alle radiazioni a microonde, da una persona diversa dal personale di un centro di assistenza autorizzato ed addestrato.
- Per cuocere / riscaldare i cibi nel forno a microonde, utilizzare unicamente i piatti adatti per l'uso nel forno a microonde. Non utilizzare i recipienti o la posata fatti di metallo o contenenti metallo, foglio di alluminio, cristallo di piombo, plastica non resistente a temperature elevate, o contenenti fermagli o legami di filo. Non utilizzare le ciotole di metallo o le tazze di plastica col coperchio parzialmente rimosso. Pericolo di incendio.
- A causa del rischio d'incendio, osservare il processo di riscaldamento degli alimenti confezionati in contenitori di plastica o carta.
- Se si osserva del fumo, spegnere l'apparecchio, rimuovere la spina dalla presa e non aprire la porta. Questo permette di spegnere più rapidamente il fuoco.
- Non utilizzare l'interno del forno come spazio d'immagazzinaggio. Nel forno a microonde non conservare i prodotti alimentari come pane, biscotti ecc.
- Prima di mettere i contenitori / i sacchetti di plastica o carta nel forno a microonde, rimuovere tutti clip e altri elementi di metallo.
- Non riscaldare le uova nel guscio nel forno o le uova sode perché potrebbero esplodere, anche se il processo di riscaldamento è stato completato.
- Durante il funzionamento dell'apparecchio la temperatura della superficie disponibile all'utente può essere elevata.
- **ATTENZIONE:** per evitare bruciature, mescolare il contenuto di bottiglie o di vasetti prima di bere o mangiare e controllare la temperatura della bevanda o del cibo.
- **ATTENZIONE:** il riscaldamento di bevande nel forno a microonde può causare l'ebollizione improvvisa del liquido. Fare attenzione durante la manipolazione del contenitore.
- Il forno a microonde non deve essere messo nell'armadio se non è stato testato in fabbrica per l'utilizzo in armadi.

- I forni a microonde non sono adatti per l'uso con un timer esterno o con un sistema di telecomando separato.
- La porta o la superficie esterna può essere molto calda durante il funzionamento dell'apparecchio.
- Piastra in vetroceramica nel vano di cottura raggiunge alte temperature; non toccarla al termine di cottura, per evitare eventuali ustioni.
- Non esercitare mai forte pressione sulla piastra in vetroceramica.
- Usare cautela durante l'introduzione dei contenitori nel vano di cottura per evitare l'eventuale danneggiamento della piastra in vetroceramica.
- Non appoggiare oggetti sull'apparecchio. Lasciare almeno 15 cm di spazio libero sopra l'apparecchio.
- La lampadina installata all'interno dell'apparecchio non è destinata per la sua illuminazione. La lampadina non deve essere utilizzata per illuminare la stanza.
- Pericolo di ustioni. L'apparecchio può riscaldarsi durante l'uso. Fare attenzione a non toccare gli elementi riscaldanti nella camera dell'apparecchio.
- Pericolo di ustioni. Gli utensili possono riscaldarsi dal cibo riscaldato. Ritirando il cibo riscaldato dal forno, utilizzare sempre guanti da forno.
- Assicurarsi che durante l'uso del forno la porta è chiusa correttamente.
- Non utilizzare i recipienti o la posata fatti di metallo o contenenti metallo, foglio di alluminio, cristallo di piombo, plastica non resistente a temperature elevate, o contenenti fermagli o legami di filo. Non utilizzare le ciotole di metallo o le tazze di plastica col coperchio parzialmente rimosso. Pericolo di incendio.
- **AVVERTENZA: Pericolo di scossa.** Se si tocca alcuni dei componenti interni dell'apparecchio, si può provocare le lesioni gravi o mortali. Non smontare l'apparecchio.
- **ATTENZIONE: Pericolo di scossa.** La messa a terra non corretta può provocare scosse elettriche. Non collegare la spina se l'apparecchio non è correttamente installato o messo a terra.

---

#### Uso previsto

- Il dispositivo è destinato all'uso professionale.
- Questo microonde è progettato per scaldare o scongelare alimenti usando i pitti adatti. Qualsiasi altro utilizzo può portare al danneggiamento del microonde o a lesioni alle persone.
- L'uso del dispositivo per qualsiasi altro scopo sarà considerato un uso improprio. L'utente sarà l'unico responsabile per l'uso scorretto del dispositivo.



## Installazione di messa a terra

Questo apparecchio è classificato come **classe di protezione I** e deve essere collegato a un terreno di protezione. La messa a terra riduce il rischio di scosse elettriche fornendo un filo di fuga per la corrente elettrica. Questo appa-

recchio è dotato di un cavo di alimentazione che ha un cavo di messa a terra e una spina messa a terra. La spina deve essere collegata a una presa correttamente installata e messa a terra.

## Piatti

L'utilizzo nel forno a microonde dei piatti non metallici può essere pericoloso. In caso di

dubbi, verificare un contenitore, utilizzando la seguente procedura.

## Prova di utensili da cucina

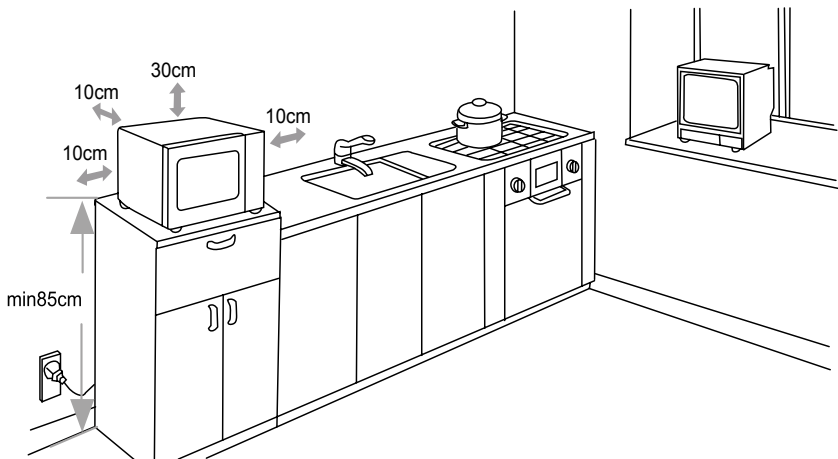
Riempire un contenitore che si vuole testare nel forno a microonde di 1 tazza di acqua fredda (250 ml) e metterlo all'interno del forno. Riscaldare per 1 minuto usando una potenza

massima. Toccare con cautela il piatto. Se il piatto è caldo non usarlo nel forno a microonde. Non superare il tempo massimo di prova del riscaldamento che è di 1 minuto.

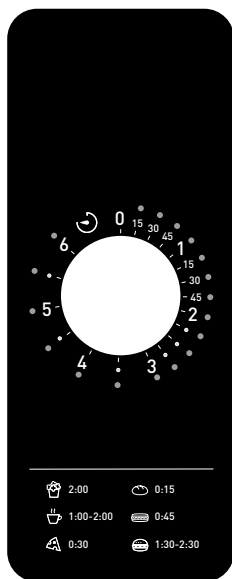
## Preparazione prima del primo utilizzo

- Togliere l'imballaggio e gli accessori.
- Controllare il forno per eventuali ammaccature o danni alla porta. Non installare il forno se è danneggiato.
- Rimuovere l'eventuale pellicola protettiva che si trova sulla superficie del forno.
- Conservare la confezione se si intende riporre l'elettrodomestico in futuro.
- Lavare l'interno del forno a microonde con un panno morbido inumidito con acqua tiepida.
- Lavare tutti i componenti.
- Posizionare il forno a microonde su una superficie piana.
- Per garantire un'adeguata ventilazione intorno al forno, lasciare uno spazio pari a 10 cm su ciascun lato e pari a 30 cm dalla parte superiore.
- Non mettere oggetti sul forno a microonde. Il rischio d'incendio.
- Posizionare il forno in modo tale che la spina sia facilmente accessibile.
- Posizionare il forno più lontano possibile da radio o da televisione. L'utilizzo del forno a microonde può causare interferenze radio o televisive.

## Linee guida per la posizione



## Utilizzo dell'apparecchio



Ruotare la manopola per selezionare il tempo di riscaldamento

Collegare l'unità di alimentazione. Un singolo segnale acustico indica che il dispositivo è pronto per l'uso. Aprire la porta e mettere il prodotto nel forno. Chiudere la porta e girare la manopola per regolare il tempo di riscaldamento. Il forno a microonde si mette immediatamente a funzionare. Il forno è regolato a un livello di potenza standard che non può essere regolato. Quando il tempo di cottura è completato, il cicalino suonerà parecchie volte emettendo un segnale acustico e l'apparecchio tornerà nella modalità standby.

NOTA: Il livello di potenza è fisso e non può essere modificato o regolato.

Il tempo di cottura indicato per diversi tipi di cibi è solo indicativo.

Quando si apre lo sportello mentre il forno sta riscaldando il forno a microonde si arresta, dopo aver chiuso la porta del forno ha bisogno di alcuni secondi per ripristinare e iniziare a funzionare. Durante il funzionamento è possibile regolare il tempo ruotando la manopola, quando si ruota la manopola a '0' il forno a microonde smetterà di funzionare e il segnale acustico per indicare che il forno a microonde è terminato.

IT

## Pulizia e manutenzione

- Prima di pulire l'apparecchio, rimuovere assolutamente la spina dalla presa di corrente.
- Attenzione: non immergere il forno in acqua o in altra sostanza liquida.
- Pulire le superfici esterne del forno a microonde utilizzando un panno inumidito con acqua e un detergente delicato. Asciugare.
- Per rimuovere i residui di cibo e di grassi, pulire le superfici interne e la porta utilizzando un panno inumidito con acqua e un detergente delicato.
- Rimuovere immediatamente eventuali fuoriuscite di liquidi per non bruciarli e provocare un odore sgradevole.
- Mantenere la guarnizione della porta pulita, facendo la pulizia regolare con un panno inumidito con acqua e un detergente delicato.
- Non usare detersivi abrasivi o corrosivi. Non usare oggetti taglienti o appuntiti. Non usare benzina o solventi. Pulire con un panno inumidito con acqua e un detergente (se necessario). Non usare materiali abrasivi.
- Pulire regolarmente filtro grassi e filtro aria per evitare il surriscaldamento del forno ed eliminare la possibilità di contatto di grassi residui con alimenti trattati.



## Trovare e risolvere i problemi

Le seguenti situazioni possono essere considerate come gli effetti normali del funzionamento dell'apparecchio.

- Durante il funzionamento l'apparecchio può provocare interferenze per la radio e la televisione.
- La luce nel forno a microonde può essere ridotta durante il funzionamento.
- Durante il processo di riscaldamento dei prodotti alimentari un vapore può essere emessa che si può accumulare sulle parti più fredde dell'apparecchio, ad esempio sulla porta.

Problema	Causa possibile	Soluzione
Il forno a microonde non funziona.	Il cavo di alimentazione non è collegato correttamente.	Controllare se il cavo di alimentazione sia collegato in modo corretto.
	Un fusibile bruciato o l'interruttore attivato.	Sostituire il fusibile o ripristinare l'interruttore. In caso di dubbi relativi all'esecuzione di questa operazione, contattare il rivenditore o il centro di assistenza autorizzato.
	Presa di alimentazione danneggiata.	Controllare la presa di alimentazione collegando un altro apparecchio o controllare l'interruttore.
I piatti nel forno non sono riscaldati.	La porta non è chiusa.	Controllare che la porta del forno si chiuda correttamente. Se la porta non si chiude correttamente, contattare il rivenditore o il centro di assistenza autorizzato.

IT

## Specifiche tecniche

Numero del prodotto: 281352

Tensione e frequenza: 230V~ 50Hz

Consumo di energia: 1550W

Potenza di uscita nominale: 1000W

Capacità del compartimento del forno: 25 litri

Classe di protezione: Classe I

Frequenza delle microonde: 2450MHz

Dimensioni: 511 x 432 x (H) 311 mm

Peso netto (ca.): 14,7kg

**Nota: Le specifiche tecniche sono soggette a modifiche senza preavviso.**





---

## Garanzia

Qualsiasi difetto che influenza la funzionalità del dispositivo che compaia entro un anno dall'acquisto sarà corretto a titolo interamente gratuito o con la sostituzione del prodotto che è stato utilizzato e sottoposto a manutenzione corretta seguendo le istruzioni, senza alcuna violazione. I diritti legali del cliente non sono assolutamente modificati. Nel caso in cui l'intervento di manutenzione o sostituzione sia

previsto nel periodo di validità della garanzia, precisare dove e quando si è acquistato il prodotto, possibilmente allegando lo scontrino.

In linea con la nostra politica di sviluppo continuo dei prodotti, ci riserviamo il diritto di modificare il prodotto, l'imballo e le specifiche di documentazione, senza notifica alcuna.

---

## Smaltimento e protezione dell'ambiente

In caso di ritiro dell'apparecchiatura dal funzionamento il prodotto non può essere smaltito con altri rifiuti domestici. L'utente è responsabile della consegna dell'attrezzatura al punto di raccolta appropriato per l'attrezzatura usata. Il mancato rispetto delle disposizioni sopramenzionate può comportare l'imposizione di sanzioni in conformità con le normative vigenti in materia di smaltimento dei rifiuti. La raccolta e il riciclaggio selettivi di attrezzature usate contribuiscono alla conservazione delle risorse

naturali e garantiscono il riciclaggio in modo tale da non nuocere alla salute e all'ambiente.


Per ulteriori informazioni sui luoghi di smaltimento delle apparecchiature usate per il riciclaggio, contattare la società locale di raccolta dei rifiuti. Il produttore e l'importatore non sono responsabili per il riciclaggio e il trattamento dei rifiuti in modo ecologico, sia direttamente che nel quadro del sistema pubblico.



Stimate client,

Vă mulțumim pentru achiziționarea acestui aparat Hendi. Citiți cu atenție acest manual, acordând o atenție deosebită reglementărilor de siguranță prezentate mai jos, înainte de a instala și utiliza acest aparat pentru prima dată.

## Regulile de siguranță

- Acest aparat este destinat uzului comercial.
- Utilizați aparatul numai în scopul pentru care a fost proiectat conform descrierii din acest manual.
- Producătorul nu este răspunzător pentru nici o deteriorare cauzată de funcționarea incorectă și de utilizarea necorespunzătoare.
- Păstrați aparatul și ștecherul departe de apă și de alte lichide. În cazul în care aparatul cade în apă, scoateți imediat ștecherul de alimentare din priză. Nu utilizați aparatul înainte de verificarea acestuia de către un tehnician certificat. Nerespectarea acestor instrucțiuni va cauza riscuri care pun viața în pericol.
- Nu încercați niciodată să deschideți singur carcasa aparatului.
- Nu introduceți obiecte în carcasa aparatului.
- Nu atingeți ștecherul cu mâinile umede sau umede.
-  **PERICOL DE ȘOC ELECTRIC!** Nu încercați să reparați singur aparatul, reparațiile trebuie efectuate numai de personal calificat.
- **Nu folosiți niciodată un aparat deteriorat!** Când este deteriorat, deconectați aparatul de la priză și contactați distribuitorul.
- **AVERTISMENT!** Nu scufundați părțile electrice ale aparatului în apă sau alte lichide.
- Nu țineți niciodată aparatul sub jet de apă.
- Verificați cu regularitate ștecherul și cablul de alimentare pentru orice deteriorare. În cazul deteriorării, acesta trebuie înlocuit de un agent de service sau de o persoană calificată în mod similar, pentru a evita pericolul sau rănirea.
- Asigurați-vă că cablul nu intră în contact cu obiecte ascuțite sau fierbinți și păstrați-l departe de focul deschis. Nu trageți niciodată cablul de alimentare pentru a-l deconecta de la priză, trageți întotdeauna ștecherul în schimb.
- Asigurați-vă că cablul de alimentare și/sau cablul prelungitor nu provoacă pericol de deplasare.
- Nu lăsați niciodată aparatul nesupravegheat în timpul utilizării.
- **AVERTISMENT!** Atâta timp cât ștecherul este în priză, aparatul este conectat la sursa de alimentare.
- Opriti aparatul înainte de a-l deconecta de la priză.
- Conectați ștecherul la o priză electrică ușor accesibilă, astfel încât, în caz de urgență, aparatul să poată fi deconectat imediat.
- Nu purtați niciodată aparatul de cablu.
- Nu utilizați dispozitive suplimentare care nu sunt furnizate împreună cu aparatul.


RO



- Conectați aparatul numai la o priză electrică cu tensiunea și frecvența menționate pe eticheta aparatului.
- Nu folosiți niciodată alte accesorii decât cele recomandate de producător. Nerespectarea acestui lucru ar putea reprezenta un risc de siguranță pentru utilizator și ar putea deteriora aparatul. Utilizați numai piese originale și accesorii.
- Acest aparat nu trebuie operat de persoane cu capacități fizice, senzoriale sau mentale reduse sau de persoane care au o lipsă de experiență și cunoștințe.
- Acest aparat nu ar trebui, în nici un caz, să fie utilizat de copii.
- Nu lăsați aparatul și cablul de alimentare la îndemâna copiilor.
- **AVERTISMENT:** Opriți întotdeauna aparatul și deconectați de la priză înainte de curățare, întreținere sau depozitare.

## Regulamente speciale de siguranță

**AVERTISMENT:** Lichidele și alte alimente nu trebuie încălzite în recipiente etanșe întrucât pot exploda.

- Nu utilizați niciodată cuptorul cu microunde fără ca în interior să se afle alimente, este foarte periculos.
- Acest cuptor cu microunde este destinat încălzirii produselor alimentare și băuturilor. Uscarea alimentelor sau hainelor și încălzirea tampoanelor calde, papucilor, bureților, hainelor umede și alte asemenea pot duce la izbucnirea unui incendiu.
- Utilizați aparatul doar în conformitate cu indicațiile din acest manual.
- Acest aparat trebuie utilizat de către personalul instruit de la bucătăria restaurantelor, cantinelor sau barurilor etc.
- Acest aparat poate fi utilizat și pentru următoarele domenii de activitate:
  - în zonele de bucătărie destinate personalului din magazine, birouri și alte spații de lucru;
  - ferme;
  - de către clienții hotelurilor, motelurilor și ai altor spații rezidențiale;
  - în spații de tipul pensiunilor.
-  **ATENȚIE! Suprafață fierbinte!** Temperatura ușii de sticlă și a altor suprafețe accesibile este foarte ridicată în timpul utilizării. Atingeți doar panoul de comandă.
- Acest cuptor cu microunde trebuie curățat în mod regulat, iar resturile alimentare trebuie îndepărtate.
- Acest cuptor cu microunde nu este creat pentru a fi utilizat cu ajutorul unui cronometru extern sau al unui sistem de control separat.”
- Nu încercați să utilizați acest cuptor cu microunde cu ușa deschisă, întrucât acest lucru poate duce la expunerea periculoasă la microunde. Este important să nu rupeți sau să nu încercați să modificați comutatoarele de siguranță.



- Nu amplasați niciun obiect între partea frontală a cuptorului cu microunde și ușa și nu permiteți acumularea de mizerie sau reziduuri ale agenților de curățare pe suprafețele de etanșare.
- **AVERTISMENT:** Dacă ușa sau garniturile acesteia sunt deteriorate, cuptorul cu microunde nu trebuie folosit până când nu este reparat de către un tehnician certificat.
- În cazul în care cuptorul cu microunde nu este menținut într-o stare de curățenie adecvată, suprafața sa se poate degrada, afectând durata de viață a aparatului și conducând la situații periculoase.
- Înainte de utilizarea cuptorului cu microunde, verificați dacă filtrul de grăsime și filtrul de aer sunt instalate corespunzător.
- **AVERTISMENT:** Este periculos pentru oricine altcineva în afară de un tehnician autorizat să efectueze orice operațiune de service sau reparații implicând îndepărtarea unui capac care oferă protecție împotriva expunerii la microunde.
- Utilizați numai ustensilele adecvate pentru cuptorul cu microunde. Nu folosiți recipiente sau tacâmuri care conțin metal, folie de aluminiu, sticlărie cu plumb, materiale plastice termosensibile, cleme din lemn sau metalice sau bride din sârmă. Nu folosiți vase cu margini striate sau vase din plastic cu capacul parțial îndepărtat. Risc de incendiu.
- Supravegheați cuptorul atunci când încălziți alimente în recipiente din material plastic sau din hârtie întrucât există posibilitatea de aprindere a acestora.
- Dacă observați fum, opriți sau scoateți din priză cuptorul cu microunde și țineți ușa închisă pentru a înăbuși flacăra.
- Nu folosiți cavitatea cuptorului în scopul depozitării. Nu depozitați obiecte, precum pâine, prăjituri etc. în interiorul cuptorului.
- Scoateți sârmușele și mânerele din metal ale recipientelor din hârtie sau material plastic/pungi înainte de a le introduce în cuptor.
- Ouăle în coajă și ouăle fierte foarte bine nu trebuie încălzite în cuptorul cu microunde pentru că pot exploda, chiar și după ce s-a încheiat procesul de încălzire la microunde.
- Temperatura suprafețelor accesibile poate fi ridicată atunci când cuptorul funcționează.
- **AVERTISMENT:** Conținutul biberoanelor și al borcanelor cu alimente pentru bebeluși trebuie amestecat sau agitat, iar temperatura acestora trebuie verificată înainte de consum pentru a evita arsurile.
- **AVERTISMENT:** Încălzirea băuturilor la microunde poate duce la fierbere erupțivă întârziată, prin urmare manevrați cu atenție recipientul.
- Cuptorul cu microunde nu va fi amplasat într-un dulap, decât dacă a fost testat în acesta.
- Cuptorul cu microunde nu este creat pentru a fi utilizat cu ajutorul unui cronometru extern sau al unui sistem de control separat.
- Ușa sau suprafața externă se pot încinge atunci când cuptorul funcționează.



- Pentru a preveni producerea de arsuri, nu atingeți placa ceramică din interiorul camerei cuptorului cu microunde după utilizarea acestuia, întrucât se poate încălzi.
- Nu apăsați niciodată în jos, în mod forțat, placa de ceramica.
- Amplasați obiectele ușor în interiorul camerei cuptorului cu microunde, în caz contrar placa ceramică putând fi deteriorată.
- Nu amplasați obiecte pe partea superioară a aparatului. Lăsați o distanță de cel puțin 15 cm față de suprafața superioară a aparatului.
- Lampa din interiorul aparatului este utilizată pentru iluminare și nu este destinată iluminării încăperii.
- Poate cauza arsuri. Aparatul se încălzește în timpul utilizării. Asigurați-vă că nu atingeți elementele termice din cavitatea de preparare.
- Poate cauza arsuri. Alimentele calde pot încălzi vasele. Prin urmare, folosiți întotdeauna mănuși atunci când scoateți mâncarea preparată din aparat.”
- Asigurați-vă că ușile sunt închise corespunzător pe durata utilizării.
- **PERICOL: de electrocutare** Atingerea unora dintre componentele interne poate provoca rănirea gravă sau decesul. Nu dezamblați cuptorul cu microunde.
- **AVERTISMENT: Pericol de electrocutare** Utilizarea neadecvată a împământării poate duce la electrocutare. Nu conectați cuptorul cu microunde la o priză până când nu este instalat și împământat corespunzător.

### Utilizare preconizată

- Acesta este un aparat de uz profesional.
- Cuptorul cu microunde este proiectat numai pentru încălzirea și dezghețarea produselor alimentare utilizând mancaruri adecvate. Orice altă utilizare poate duce la deteriorarea cuptorului cu microunde sau a vatamării corporale.
- Utilizarea aparatului în orice alt scop reprezintă o utilizare incorectă. Utilizatorul este singurul răspunzător de orice utilizare incorectă a aparatului.

### Instalare împământare

Acest aparat este clasificat ca **clasa de protecție I** și trebuie conectat la un sol de protecție. Împământarea reduce riscul de șoc electric prin furnizarea unui cablu de evacuare pentru curentul electric. Acest aparat este echipat cu

un cablu de alimentare care are un fir de împământare și ștecher cu împământare. Ștecherul trebuie conectat la o priză instalată și împământată corespunzător.

### Instrumente

Utilizarea anumitor instrumente nemetalice în cuptorul cu microunde nu este sigură. Dacă

aveți îndoieli, puteți verifica instrumentul respectiv urmând procedura de mai jos.

### Testarea instrumentelor:

Umpleți un recipient pentru microunde cu 1 cană de apă rece (250 ml), introducând și instrumentul respectiv.

Fierbeți la puterea maximă pentru 1 minut.

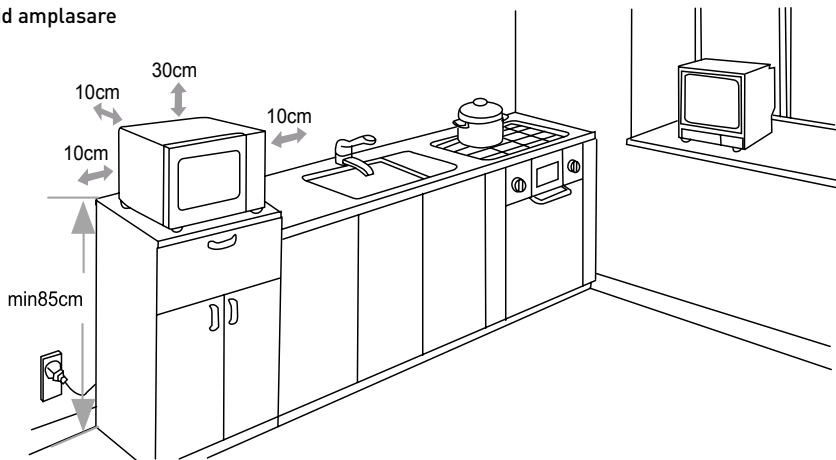
Atingeți cu atenție instrumentul. Dacă instrumentul gol este cald, nu-l utilizați pentru preparare în cuptorul cu microunde. Nu depășiți timpul de preparare de 1 minut.



### Pregătire înainte de prima utilizare.

- Îndepărtați în totalitate ambalajul și accesoriile.
- Verificați cuptorul privind eventuale deteriorări precum urme de lovituri sau ușă defectă. Nu instalați cuptorul dacă este deteriorat.
- Îndepărtați orice peliculă de protecție găsită pe suprafața carcasei cuptorului cu microunde.
- Păstrați ambalajul dacă intenționați să depozitați aparatul înăuntru lui pe viitor.
- Curățați interiorul cuptorului cu microunde cu apă caldă și o cârpă moale.
- Curățați componentele.
- Poziționați cuptorul cu microunde pe o suprafață dreaptă.
- Lăsați un spațiu de 10 cm în jurul cuptorului cu microunde și 30 cm deasupra acestuia pentru a asigura o ventilație adecvată.
- Nu așezați niciun obiect deasupra cuptorului cu microunde.
- Poziționați cuptorul în așa fel încât ștecărul să fie accesibil în permanență.
- Amplasați cuptorul cât mai departe posibil de radio și televizor. Funcționarea cuptorului cu microunde poate interfera cu recepționarea radioului sau televizorului dumneavoastră.

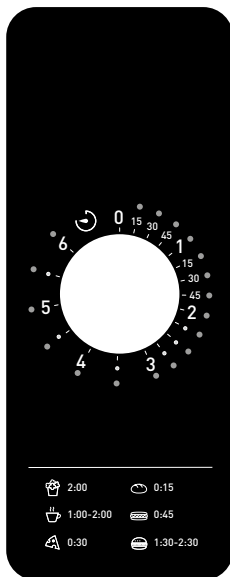
### Ghid amplasare



RO



## Utilizare



— Rotiți butonul pentru a selecta timpul de preparare

Conectați sursa de alimentare cu electricitate, se va emite un semnal sonor pentru a indica faptul că aparatul este pregătit pentru utilizare. Deschideți ușa și puneți alimentele în cuptorul cu microunde. Închideți ușa și rotiți butonul la timpul dorit. Cuptorul cu microunde va porni imediat. Nivelul de putere este maxim standard și nu poate fi ajustat. Atunci când timpul de pregătire s-a încheiat, va fi emis de de cateva ori un semnal sonor, iar cuptorul cu microunde va reveni la modul inactiv.

Notă: Nivelul de putere este fix și nu poate fi ajustat. Descrierea timpului de preparare pentru diversele produse alimentare aflată sub temporizatorul rotativ este orientativă.

Atunci când deschideți ușa în timp ce cuptorul încălzește alimentele, acesta se va opri iar după ce ușa va fi închisă sunt necesare câteva secunde pentru ca aparatul să se reseteze și să reia funcționarea. Pe durata funcționării puteți ajusta timpul prin rotirea butonului, iar dacă rotiți butonul la „0”, cuptorul se va opri și va fi emis un semnal sonor pentru a indica acest lucru.

RO

## Curățare și întreținere

- Scoateți întotdeauna ștecărul din priză înainte de curățarea cuptorului cu microunde.
- Atenție: Nu scufundați niciodată cuptorul cu microunde în apă sau în vreun alt lichid!
- Curățați exteriorul cuptorului cu microunde cu o cârpă umedă și apă cu detergent slab. Uscați.
- Curățați interiorul cuptorului cu microunde și ușa cu o cârpă umedă și apă cu detergent slab pentru a îndepărta toate urmele întărite de alimente și grăsime.
- Îndepărtați toate lichidele vărsate imediat după fiecare utilizare. Necurățarea aparatului poate avea ca rezultat pete de arsură și mirosuri neplăcute.
- Mențineți garnitura de etanșare a ușii curată, curățați-o periodic cu o cârpă umedă și apă cu detergent slab.
- Nu folosiți niciodată agenți de curățare agresivi sau abrazivi. Nu folosiți obiecte ascuțite. Nu folosiți benzină sau solvenți! Curățați cu o cârpă umedă și detergent dacă este nevoie. Nu folosiți materiale abrazive.
- Curățați regulat filtrul de grăsime și pe cel de aer, întrucât cuptorul cu microunde se poate încinge când acest lucru nu este efectuat corespunzător, iar produsele alimentare se pot contamina cu grăsime.



## Depanare

Următoarele evenimente pot fi considerate efecte normale ale utilizării acestui cuptor cu microunde.

- Recepționarea posturilor de radio și televiziune poate fi interferată atunci când cuptorul funcționează.
- Intensitatea luminii cuptorului se poate diminua pe parcursul funcționării.
- Pe durata încălzirii, alimentele pot produce aburi care se pot acumula pe componentele mai reci ale cuptorului, ca de exemplu, pe ușa.

Problemă	Cauză posibilă	Soluție
Cuptorul cu microunde nu pornește	Cablul de alimentare nu este conectat corect.	Verificați dacă este conectat corect cablul de alimentare.
	Siguranța întrerupătorului activ este arsă.	Înlocuiți siguranța sau resetați întrerupătorul. Dacă nu sunteți sigur cum se procedează, contactați furnizorul.
	Priza de alimentare este defectă.	Verificați priza cu ajutorul unui alt aparat sau verificați întrerupătorul.
Cuptorul nu încălzește	Ușa nu este închisă corect.	Verificați dacă ușa este închisă corespunzător, iar dacă nu poate fi închisă corect contactați furnizorul.

## Specificații tehnice

Articol nr: 281352

Tensiune și frecvență: 230V~ 50Hz

Puterea nominală de intrare: 1550W

Puterea nominală de ieșire: 1000W

Capacitatea cuvei cuptorului: 25 litri

Clasa de protecție: Clasa I

Frecvența microundelor: 2450MHz

Dimensiune: 511 x 432 x (Î) 311 mm

Greutate netă (aprox.): 14,7kg

**Observație:** Specificația tehnică poate fi modificată fără preaviz.



---

## Garanție

Orice defecțiune care afectează funcționarea aparatului apărută la mai puțin de un an de la cumpărarea acestuia va fi remediată prin reparație sau înlocuire gratuită, cu condiția ca aparatul să fi fost folosit și întreținut conform instrucțiunilor nu să nu fi fost bruscat sau folosit necorespunzător în vreun fel. Drepturile dumneavoastră legale nu sunt afectate. Dacă

aparatul este în garanție, menționați când și de unde a fost cumpărat și includeți dovada cumpărării (de ex. chitanța).

Conform politicii noastre de dezvoltare continuă a produsului, ne rezervăm dreptul de a modifica produsul, ambalajul și documentația fără notificare.

---

## Eliminarea și mediul înconjurător

La dezafectarea aparatului, produsul nu trebuie aruncat împreună cu alte deșeuri menajere. În schimb, este responsabilitatea dumneavoastră să eliminați echipamentul uzat prin predarea acestuia la un punct de colectare desemnat. Nerespectarea acestei reguli poate fi penalizată în conformitate cu reglementările aplicabile privind eliminarea deșeurilor. Colectarea separată și reciclarea echipamentului dumneavoastră uzat la momentul debarasării contribuie la conservarea resurselor natura-

le și asigură realizarea reciclării într-un mod care protejează sănătatea ființelor umane și a mediului.

Pentru informații suplimentare privind modul în care puteți preda deșeurile dumneavoastră în scopul reciclării, vă rugăm să contactați compania locală de colectare a deșeurilor. Producătorii și importatorii nu își asumă responsabilitatea cu privire la reciclarea, tratarea și eliminarea ecologică a deșeurilor, fie direct, fie prin intermediul unui sistem public.



Благодарим Вас за покупку этого устройства Hendi. Внимательно прочитайте это руководство, обращая особое внимание на правила безопасности, изложенные ниже, перед установкой и использованием этого устройства в первый раз.


## Правила безопасности

- Это оборудование предназначено для коммерческого использования.
- Используйте прибор только по назначению, для которого он был разработан, как описано в данном руководстве.
- Изготовитель не несет ответственности за любой ущерб, вызванный неправильной работой и неправильным использованием.
- Держите прибор и электрическую вилку подальше от воды и других жидкостей. В случае, если прибор попадает в воду, немедленно снимите вилку питания с розетки. Не используйте устройство до тех пор, пока оно не будет проверено сертифицированным техническим специалистом. Несоблюдение этих инструкций приведет к угрожающей жизни опасности.
- Никогда не пытайтесь открыть корпус прибора самостоятельно.
- Не вставляйте объекты в корпус прибора.
- Не прикасайтесь к вилке мокрыми или влажными руками.
- **⚠ ОПАСНОСТЬ ПОРАЖЕНИЯ ЭЛЕКТРИЧЕСКИМ ТОКОМ!** Не пытайтесь самостоятельно отремонтировать прибор, ремонт должен проводиться только квалифицированный персонал.
- **Никогда не используйте поврежденный прибор!** Когда устройство повреждено, отсоедините устройство от розетки и обратитесь к продавцу.
- **ПРЕДУПРЕЖДЕНИЕ!** Не погружайте электрические части прибора в воду или другие жидкости.
- Никогда не удерживайте прибор под проточной водой.
- Регулярно проверяйте штекер питания и шнур на наличие повреждений. В случае повреждения его необходимо заменить сервисным агентом или лицом, имеющим аналогичную квалификацию, с тем чтобы избежать опасности или травм.
- Убедитесь, что шнур не соприкасается с острыми или горячими предметами и держите его подальше от открытого огня. Никогда не тяните шнур питания, чтобы отсоединить его от розетки, всегда тяните вилку вместо нее.
- Убедитесь, что шнур питания и/или удлинитель не вызывают опасности аварии.
- Никогда не оставляйте прибор без присмотра во время использования.
- **ПРЕДУПРЕЖДЕНИЕ!** Пока штекер находится в розетке, прибор подключается к источнику питания.
- Выключите устройство, прежде чем отсоединить его от розетки.
- Подключите вилку питания к легкодоступной электрической розетке, чтобы в

- случае аварийной ситуации устройство можно было немедленно отключить.
- Никогда не носите прибор за шнур.
  - Не используйте дополнительные устройства, которые не поставляются вместе с устройством.
  - Подключите прибор только к электрической розетке с напряжением и частотой, указанными на этикетке устройства.
  - Никогда не используйте аксессуары, кроме тех, которые рекомендованы производителем. Невыполнение этого требования может представлять опасность для безопасности пользователя и привести к повреждению устройства. Используйте только оригинальные детали и аксессуары.
  - Этот прибор не должен эксплуатироваться лицами с ограниченными физическими, сенсорными или умственными возможностями, или лицами, не имеющими опыта и знаний.
  - Этот прибор ни при каких обстоятельствах не должен использоваться детьми.
  - Держите устройство и его шнур питания в недоступном для детей месте.
  - **ПРЕДУПРЕЖДЕНИЕ:** ВСЕГДА выключите устройство и отключите розетку от розетки перед очисткой, обслуживанием или хранением.

## Специальные правила безопасности

**ПРЕДУПРЕЖДЕНИЕ:** Жидкости или другие пищевые продукты нельзя подогревать в герметично закрытых ёмкостях, бутылках и т.п. так как они могут взорваться.

- Не используйте микроволновую печь без предварительного вложения в неё пищевых продуктов. Это очень опасно.
- Микроволновая печь служит подогреву пищи и напитков. Сушка пищи или одежды, подогрев греющих подушек, тапок, губок, влажных тряпок и т.п. может привести к возникновению пожара.
- Используйте устройство только в соответствии с настоящим руководством.
- Устройство должен обслуживать только обученный персонал кухни столовых, ресторанов, кафе или баров.
- Данное устройство предназначено для использования в следующих мест:
  - в кухни для сотрудников в магазинах, офисах и других рабочих местах;
  - в сельском хозяйстве;
  - в кухни, предназначенной для гостей в отелях, мотелях и других жилых помещениях;
  - в гостиницах типа „bed and breakfast”.
-  **ВНИМАНИЕ! Горячая поверхность!** Во время работы стеклянная дверца и другие доступные поверхности нагреваются до очень высоких температур. Прикасайтесь только к панели управления.
- Микроволновую печь следует регулярно чистить и удалять из нее остатки пищи.
- Микроволновая печь не приспособлена к обслуживанию с помощью внеш-



него таймера или отдельного пульта дальнего управления.

- Не включайте микроволновую печь, если дверца открыта, так как это может привести к воздействию энергии в виде микроволнового излучения. Не снимайте и не манипулируйте блокировками безопасности.
- Не кладите какие-либо предметы между корпусом и дверцей микроволновой печи; не накапливайте грязь или остатки чистящего средства на поверхностях уплотнений.
- **ПРЕДУПРЕЖДЕНИЕ:** Если дверца или дверные уплотнения повреждены, не используйте микроволновую печь до устранения их неисправности в авторизованном сервисе.
- Недостаточная чистота микроволновой печи может привести к ухудшению состояния ее внешних и внутренних поверхностей (камеры приготовления), что в свою очередь может негативно повлиять на срок службы устройства и привести к опасным ситуациям.
- Перед использованием устройства, проверьте, правильно ли установлены масляный и воздушный фильтры.
- **ПРЕДУПРЕЖДЕНИЕ:** Опасно выполнять любые технические работы по обслуживанию или ремонту, включающие снятие крышки, которая защищает от воздействия микроволнового излучения, другими лицами, кроме уполномоченного или обученного персонала.
- Для приготовления/ подогревания пищи в микроволновой печи используйте посуду, пригодную для микроволновой печи. Не используйте посуду или столовые приборы, изготовленные из металла или содержащие его, алюминиевую фольгу, свинцовое стекло (хрусталь), пластмассу, не стойкую к высоким температурам, металлические или деревянные крепежные детали или проволочные стяжки. Не используйте миски с металлическим краем или пластиковые миски с приоткрытой крышкой. Опасность пожара.
- Из-за риска возгорания, наблюдайте за процессом разогрева пищи, упакованной в пластиковые или бумажные ёмкости.
- Если вы заметите дым, выключите устройство или выньте вилку из розетки и не открывайте дверь. Это позволит быстро потушить огонь.
- Не используйте внутреннее пространство микроволновой печи в качестве места для хранения. В микроволновой печи не храните пищевые продукты, такие как хлеб, печенье и т.д.
- Перед размещением бумажных или пластиковых контейнеров/ пакетов в микроволновой печи, снимите металлические зажимы или ручки.
- Не нагревайте в микроволновой печи яйца в скорлупе или сваренные яйца, так как они могут взорваться, даже если процесс нагрева завершен.
- Во время работы устройства температура поверхности, доступная для пользователя, может быть высокой.
- **ПРЕДУПРЕЖДЕНИЕ:** Во избежание ожогов, содержимое бутылок или банок с пищей для младенцев взболтайте или перемешайте перед употреблением

и проверьте температуру пищевых продуктов или напитков.

- **ПРЕДУПРЕЖДЕНИЕ:** Подогревание напитков в микроволновой печи может привести к задержке быстрого кипячения. Будьте осторожны при обращении с ёмкостью.
- Не устанавливайте микроволновую печь в кухонный шкаф, если она не была испытана на заводе-изготовителе для применения в шкафах.
- Микроволновые печи не подходят для использования с внешним таймером или отдельной системы дистанционного управления.
- Дверь или внешняя поверхность могут нагреваться во время работы устройства.
- Керамическая плита, расположенная в рабочей камере может сильно нагреваться; после окончания приготовления пищи, не прикасайтесь к ней - в противном случае пользователь может получить ожог руки.
- Никогда сильно не нажимайте на керамическую плиту.
- Неосторожное вложение ёмкостей в камеру для приготовления пищи может повредить керамическую плиту.
- На устройство нельзя класть что-либо. Над устройством должно быть не менее 15 см свободного пространства.
- Лампочка, установленная внутри устройства предназначена для освещения внутреннего объема. Ее нельзя использовать для освещения помещений.
- Существует опасность ожогов – печка может во время работы сильно нагреться, поэтому следует быть осторожным и не касаться нагретых элементов, имеющихся внутри печки.
- Существует опасность ожогов. Используемая посуда во время приготовления пищи может также сильно нагреваться, поэтому для извлечения посуды из печки следует всегда использовать специальные кухонные рукавицы.”
- Следует всегда следить за тем, чтобы во время работы печки ее дверцы были плотно закрыты.
- **ОПАСНОСТЬ. Опасность поражения электрическим током.** Прикосновение к некоторым внутренним компонентам устройства может привести к серьезным травмам или смерти. Не разбирайте устройство.
- **ПРЕДУПРЕЖДЕНИЕ. Опасность поражения электрическим током.** Неправильное заземление может привести к поражению электрическим током. Не вставляйте вилку в розетку, если устройство не установлено и заземлено надлежащим образом.



---

## Предполагаемое использование

- Устройство предназначено для профессионального использования.
- Микроволновая печь предназначена для обогрева и размораживания еды при использовании подходящей посуды. Любое другое использование может привести к повреждению микроволновой печи или травме.
- Использование устройства для любых других целей будет рассматриваться, как использование не по назначению. Пользователь будет нести исключительную ответственность за неправильное использование устройства.

---

## Установка заземления

Этот прибор относится к **классу защиты I** и должен быть подключен к защитному грунту. Заземление снижает риск поражения электрическим током, обеспечивая выход провода для электрического тока. Этот при-

бор оснащен шнуром питания с заземляющим проводом и заземленной штепсельной вилкой. Вилка должна быть подключена к розетке, которая правильно установлена и заземлена.

---

## Посуда

Использование в микроволновой печи некоторых неметаллических сосудов может быть опасно. Если у вас возникли сомнения, вы

можете провести испытание этого контейнера, используя следующие процедуры.

## Испытание кухонной посуды:

Заполните контейнер, который вы хотите испытать в микроволновой печи 1 стаканом (250 мл) холодной воды и вложите этот контейнер в камеру печи.

Подогревайте в течение 1 минуты, используя

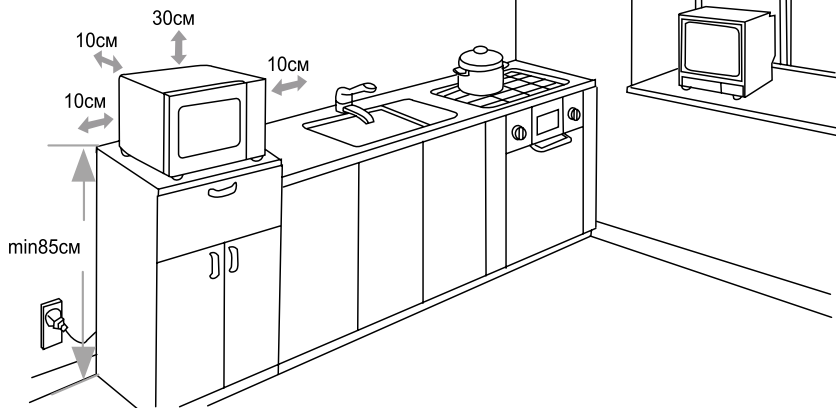
самую высокую мощность. Осторожно прикоснитесь к посуде. Если контейнер будет теплым, не используйте его в микроволновой печи. Не превышайте максимальное время испытательного нагревания -1 мин.

---

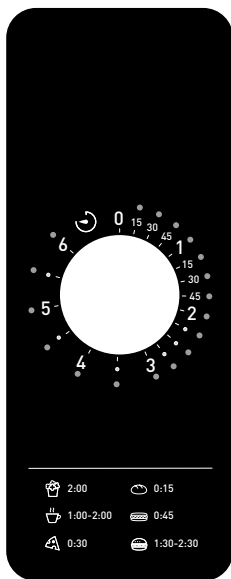
## Подготовка перед первым использованием

- Снимите упаковку и аксессуары.
- Осмотрите печь с точки зрения любых вмятин или повреждения двери. Не устанавливайте печь, если она повреждена.
- Удалить возможную защитную пленку, расположенную на поверхности микроволновой печи.
- Сохраните упаковку, если намереваетесь хранить прибор в будущем.
- Промойте внутреннюю часть микроволновой печи мягкой тканью, смоченной в теплой воде.
- Промойте все компоненты.
- Установите микроволновую печь на ровной и устойчивой поверхности.
- Для того, чтобы обеспечить надлежащую вентиляцию вокруг печи, с каждой стороны оставьте свободное пространство, равное 10 см, а с верху - 30 см.
- Не ставьте какие-либо предметы на микроволновую печь. Риск пожара.
- Установите печь таким образом, чтобы вилка была легко доступна.
- Установите печь подальше от радио и телевизора. Использование микроволновой печи может вызвать помехи в радио или телевизоре.

## Рекомендации по размещению



## Использование



— Поверните ручку, чтобы выбрать время нагрева

Подключите устройство к источнику питания. Один звуковой сигнал указывает на то, что устройство готово к использованию. Откройте дверь и поместите пищевой продукт в микроволновую печь. Закройте дверь и поверните ручку для регулировки времени нагрева. Печь сразу же начнет работу. Печь установлена на стандартный уровень мощности, который нельзя регулировать. Когда время подогревания закончится, раздастся несколько раз звуковой сигнал и устройство вернется в режим ожидания.

RU

**ВНИМАНИЕ:** Уровень потребляемой мощности не меняется: не поддается ни увеличению, ни уменьшению, как и вообще регулировке. Указанное время приготовления блюд из различных видов пищевых продуктов всего лишь ориентировочно.

Если дверь печи будет открыта во время подогревания пищи, микроволновая печь прекратит работу, а после закрытия двери, после нескольких секунд, она вернется в исходное состояние и продолжит работу. Во время работы, вы можете поворотом ручки настроить время подогревания. Установка ручки в положение «0» выключает печь - раздается звуковой сигнал, сигнализирующий, что работа закончилась.



## Очистка и обслуживание

- Перед очисткой устройства обязательно выньте вилку из розетки.
- Осторожно: Не погружайте микроволновую печь в воду или другую жидкость.
- Наружные поверхности микроволновой печи чистить чистой тканью, смоченной в воде с мягким моющим средством. Протрите насухо.
- Для удаления остатков пищи и жира внутренние поверхности и двери микроволновой печи чистить чистой тканью, смоченной в воде с мягким моющим средством.
- Немедленно удаляйте пролитую жидкость. В противном случае, это может привести к её пригоранию и будет выделяться неприятный запах.
- Держите в чистоте уплотнения двери путем их регулярной чистки тканью, смоченной в воде с мягким моющим средством.
- Не используйте агрессивные или абразивные чистящие средства. Не используйте острые предметы или с острым окончанием. Не используйте бензин или растворители. Протирайте тканью, смоченной в воде с моющим средством (при необходимости). Не используйте абразивные материалы.
- Регулярно очищайте жировые и воздушные фильтры; в противном случае печь может перегреться или остатки старого жира могут попасть в приготовляемую еду.

## Обнаружение и решение проблем

Следующие ситуации можно рассматривать, как нормальные эффекты работы устройства.

- Во время работы устройство может создавать помехи для радио и телевизора.
- Свет в микроволновой печи может быть тусклым во время работы.
- В процессе нагревания пищевых продуктов может создаваться пар, который может накапливаться на более холодных участках устройства, например, на двери.

RU

Проблема	Возможная причина	Решение
Микроволновая печь не работает	Кабель питания подключен неправильно.	Проверьте, правильно ли подключен кабель питания.
	Перегорел предохранитель или активируется автоматический выключатель.	Замените предохранитель или сбросьте автоматический выключатель. В случае сомнений, связанных с выполнением этой операции, обратитесь поставщику или в авторизованный сервис.
	Повреждена штепсельная розетка.	Проверьте штепсельную розетку, подключая другое устройство и проверьте автоматический выключатель.
Блюда в печи не нагреваются	Приоткрытая дверь.	Проверьте, правильно ли закрыта дверь. Если дверь не закрывается должным образом, обратитесь к поставщику или в авторизованный сервис.





---

## Техническая спецификация

Номер продукта: 281352

Рабочее напряжение и частота: 230В~ 50Гц

Номинальная потребляемая мощность: 1550Вт

Номинальная выходная мощность: 1000Вт

Ёмкость камеры печи: 25 литров

Степень защиты: I Класс

Частота микроволн: 2450MHz

Размеры: 511 x 432 x (выс.) 311 мм

Масса нетто (прибл.): 14,7кг

---

**Внимание: Технические характеристики могут быть изменены без предварительного уведомления.**

---

## Гарантия

Любая неполадка или поломка, которая влечет за собой неправильную работу устройства, которая будет выявлена в течение первого года от даты покупки, будет устранена бесплатно, или же все устройство будет заменено новым, если оно эксплуатировалось и обслуживалось согласно инструкции по обслуживанию и не использовалось неправильно, или в разрез с назначением. Данное положение ни коей мере не нарушает иных прав потребителя, изложенных в законодательстве. В случае заявления устройства

в ремонт или на замену в рамках гарантии, следует указать место и дату покупки устройства и приложить счет, или чековую квитанцию.

Согласно нашей политике совершенствования наших продуктов оставляем за собой право на ввод изменений в конструкцию, упаковку и в технические параметры, указываемые в технической документации без предупреждения.

---

## Утилизация и защита окружающей среды

В случае вывода оборудования из эксплуатации, продукт нельзя утилизировать вместе с другими бытовыми отходами. Пользователь несет ответственность за передачу оборудования в соответствующий пункт приема техники бывшей в употреблении. Несоблюдение вышеуказанного положения может привести к наложению штрафов в соответствии с действующими правилами в отношении утилизации отходов. Селективный сбор и утилизация использованного оборудования способствуют сохранению природных ресурсов и обеспечивают рециркуляцию та-

ким образом, который не вреден для здоровья и окружающей среды.

Для получения дополнительной информации о том, где можно отдать использованное оборудование для утилизации, обратитесь в местную компанию по сбору отходов. Производитель и импортер не несут ответственности за рециркуляцию и переработку отходов экологически безопасным способом, как непосредственно, так и в рамках государственной системы.


RU



Αγαππτέ πελάτη,

Σας ευχαριστούμε για την αγορά αυτής της συσκευής HENDI. Διαβάστε προσεκτικά αυτό το εγχειρίδιο, δίνοντας ιδιαίτερη προσοχή στους κανονισμούς ασφαλείας που περιγράφονται παρακάτω, πριν εγκαταστήσετε και χρησιμοποιήσετε αυτή τη συσκευή για πρώτη φορά.

## Κανονισμοί ασφαλείας

- Η συσκευή είναι για επαγγελματική χρήση.
- Χρησιμοποιείτε μόνο τη συσκευή για τον επιδιωκόμενο σκοπό για τον οποίο σχεδιάστηκε όπως περιγράφεται στο παρόν εγχειρίδιο.
- Ο κατασκευαστής δεν ευθύνεται για τυχόν ζημιές που προκαλούνται από λανθασμένη λειτουργία και ακατάλληλη χρήση.
- Κρατήστε τη συσκευή και το ηλεκτρικό βύσμα μακριά από νερό και άλλα υγρά. Σε περίπτωση που η συσκευή πέσει στο νερό, αφαιρέστε αμέσως το βύσμα τροφοδοσίας από την πρίζα. Μην χρησιμοποιείτε τη συσκευή μέχρι να ελεγχθεί από πιστοποιημένο τεχνικό. Η μη τήρηση αυτών των οδηγιών θα προκαλέσει απειλητικούς κινδύνους για τη ζωή.
- Ποτέ μην επιχειρήσετε να ανοίξετε μόνοι σας το περίβλημα της συσκευής.
- Μην εισάγετε αντικείμενα στο περίβλημα της συσκευής.
- Μην αγγίζετε το βύσμα με βρεγμένα ή υγρά χέρια.
-  **ΚΙΝΔΥΝΟΣ ΗΛΕΚΤΡΟΠΛΗΞΙΑΣ!** Μην επιχειρήσετε να επισκευάσετε τη συσκευή μόνοι σας, οι επισκευές πρέπει να πραγματοποιούνται μόνο από εξειδικευμένο προσωπικό.
- **Ποτέ μην χρησιμοποιείτε μια κατεστραμμένη συσκευή!** Όταν είναι κατεστραμμένο, αποσυνδέστε τη συσκευή από την πρίζα και επικοινωνήστε με το κατάστημα λιανικής πώλησης.
- **ΠΡΟΕΙΔΟΠΟΙΗΣΗ!** Μην βυθίζετε τα ηλεκτρικά μέρη της συσκευής σε νερό ή άλλα υγρά.
- Ποτέ μην κρατάτε τη συσκευή κάτω από τρεχούμενο νερό.
- Ελέγχετε τακτικά το βύσμα τροφοδοσίας και το καλώδιο για τυχόν ζημιές. Σε περίπτωση βλάβης, πρέπει να αντικατασταθεί από αντιπρόσωπο εξυπηρέτησης ή με παρόμοια προσόντα, ώστε να αποφεύγεται ο κίνδυνος ή ο τραυματισμός.
- Βεβαιωθείτε ότι το καλώδιο δεν έρχεται σε επαφή με αιχμηρά ή ζεστά αντικείμενα και κρατήστε το μακριά από ανοιχτή φωτιά. Μην τραβάτε ποτέ το καλώδιο τροφοδοσίας για να το αποσυνδέσετε από την πρίζα, πάντα τραβάτε το βύσμα.
- Βεβαιωθείτε ότι το καλώδιο τροφοδοσίας ή/και το καλώδιο προέκτασης δεν προκαλούν κίνδυνο διαφυγής.
- Μην αφήνετε ποτέ τη συσκευή αφύλακτη κατά τη χρήση.
- **ΠΡΟΕΙΔΟΠΟΙΗΣΗ!** Όσο το βύσμα βρίσκεται στην πρίζα, η συσκευή είναι συνδεδεμένη με την πηγή τροφοδοσίας.
- Απενεργοποιήστε τη συσκευή πριν την αποσυνδέσετε από την πρίζα.
- Συνδέστε το βύσμα ρεύματος σε μια εύκολα προσβάσιμη πρίζα, ώστε σε περίπτωση

GR




ανάγκης να αποσυνδεθεί αμέσως η συσκευή.

- Ποτέ μην μεταφέρετε τη συσκευή από το καλώδιο.
- Μην χρησιμοποιείτε επιπλέον συσκευές που δεν παρέχονται μαζί με τη συσκευή.
- Συνδέστε τη συσκευή μόνο σε πρίζα με την τάση και τη συχνότητα που αναφέρονται στην ετικέτα της συσκευής.
- Ποτέ μην χρησιμοποιείτε εξαρτήματα εκτός από αυτά που συνιστώνται από τον κατασκευαστή. Εάν δεν γίνει κάτι τέτοιο, θα μπορούσε να αποτελέσει κίνδυνο για την ασφάλεια του χρήστη και θα μπορούσε να προκαλέσει βλάβη στη συσκευή. Χρησιμοποιείτε μόνο αυθεντικά εξαρτήματα και αξεσουάρ.
- Η συσκευή αυτή δεν πρέπει να λειτουργεί από άτομα με μειωμένες σωματικές, αισθητηριακές ή διανοητικές ικανότητες ή άτομα με έλλειψη εμπειρίας και γνώσης.
- Αυτή η συσκευή δεν πρέπει, σε καμία περίπτωση, να χρησιμοποιείται από παιδιά.
- Κρατήστε τη συσκευή και το καλώδιο τροφοδοσίας μακριά από παιδιά.
- **ΠΡΟΕΙΔΟΠΟΙΗΣΗ:** Πάντα απενεργοποιείτε τη συσκευή και αποσυνδέστε την πρίζα πριν από τον καθαρισμό, τη συντήρηση ή την αποθήκευση.

## Ειδικοί Κανονισμοί Ασφαλείας

**ΠΡΟΕΙΔΟΠΟΙΗΣΗ:** Υγρά και άλλα τρόφιμα δεν πρέπει να θερμαίνονται σε σφραγισμένα σκεύη καθώς ενδέχεται να εκραγούν.

- Μην χρησιμοποιείτε ποτέ τον φούρνο μικροκυμάτων χωρίς να έχετε τοποθετήσει φαγητό καθώς αυτό είναι πολύ επικίνδυνο.
- Αυτός ο φούρνος μικροκυμάτων παρέχεται για θέρμανση φαγητού και ροφημάτων. Η ξήρανση τροφίμων, το στέγνωμα ενδυμάτων και το ζέσταμα μαξιλαριών, παντοφλών, σφουγγαριών, βρεγμένων πανιών και άλλων παρόμοιων αντικειμένων μπορεί να προκαλέσει πυρκαγιά.
- Χρησιμοποιείτε τη συσκευή μόνο όπως περιγράφεται στο παρόν εγχειρίδιο.
- Η συσκευή πρέπει να χειρίζεται από εκπαιδευμένο προσωπικό σε κουζίνα εστιατορίου ή καντίνας ή μπαρ.
- Αυτή η συσκευή προορίζεται για χρήση σε παρόμοιες εφαρμογές όπως:
  - χώροι κουζίνας προσωπικού σε καταστήματα, γραφεία και άλλα εργασιακά περιβάλλοντα,
  - αγροικίες,
  - από πελάτες σε ξενοδοχεία, μοτέλ και άλλα περιβάλλοντα στέγασης,
  - περιβάλλοντα πανδοχείων.
-  **ΠΡΟΣΟΧΗ!! Καυτή επιφάνεια!** Η θερμοκρασία της γυάλινης πόρτας και όλων των προσβάσιμων επιφανειών είναι πολύ υψηλή κατά τη χρήση. Να αγγίζετε μόνο τον πίνακα ελέγχου.
- Ο φούρνος μικροκυμάτων πρέπει να καθαρίζεται τακτικά και να αφαιρούνται τυχόν υπολείμματα τροφίμων.
- Ο φούρνος μικροκυμάτων δεν προορίζεται για λειτουργία μέσω εξωτερικού χρονοδιακόπτη ή ξεχωριστού συστήματος τηλεχειρισμού.

GR



- Μην επιχειρήσετε να χρησιμοποιήσετε τον φούρνο μικροκυμάτων με την πόρτα ανοικτή καθώς αυτό μπορεί να οδηγήσει σε επιβλαβή έκθεση σε μικροκυματική ενέργεια. Μην σπάτε ή παρακάμψετε τις συνδέσεις ασφαλείας.
- Μην τοποθετείτε αντικείμενα ανάμεσα στην μπροστινή πλευρά του φούρνου μικροκυμάτων και την πόρτα και μην επιτρέπετε να συσσωρεύονται διαρροές ή υπολείμματα καθαριστικού στις επιφάνειες σφραγίσματος.
- **ΠΡΟΕΙΔΟΠΟΙΗΣΗ:** Εάν η πόρτα ή τα σφραγίσματα της πόρτας έχουν υποστεί ζημιά, ο φούρνος δεν πρέπει να λειτουργήσει μέχρι να επισκευαστεί από πιστοποιημένο τεχνικό.
- Εάν ο φούρνος μικροκυμάτων δεν διατηρείται καθαρός, θα προκληθεί φθορά της επιφάνειας, η οποία μπορεί να επηρεάσει δυσμενώς τη διάρκεια ζωής του φούρνου και να επιφέρει επικίνδυνη κατάσταση.
- Βεβαιωθείτε ότι το φίλτρο λίπους και το φίλτρο αέρα έχουν εγκατασταθεί σωστά προτού χρησιμοποιήσετε τον φούρνο μικροκυμάτων.
- **ΠΡΟΕΙΔΟΠΟΙΗΣΗ:** Είναι επικίνδυνο για οποιοδήποτε άτομο πέραν του πιστοποιημένου τεχνικού να πραγματοποιήσει οποιαδήποτε εργασία συντήρησης ή επισκευής που περιλαμβάνει την αφαίρεση του καλύμματος που παρέχει προστασία από την έκθεση σε μικροκυματική ενέργεια.
- Χρησιμοποιείτε μόνο σκεύη που είναι κατάλληλα για χρήση σε φούρνο μικροκυμάτων. Μην χρησιμοποιείτε δοχεία ή μαχαίροπίρουνα που είναι κατασκευασμένα από ή περιέχουν μέταλλο, αλουμίνιο, κρυστάλλινα γυάλινα σκεύη με μόλυβδο, πλαστικά ευαίσθητα στις υψηλές θερμοκρασίες, ξύλινα ή μεταλλικά κλιπ ή συρμάτινα δεσίματα. Μην χρησιμοποιείτε μπολ με στρογγυλεμένα άκρα ή πλαστικά δοχεία με εν μέρει αφαιρεμένο το καπάκι. Κίνδυνος πυρκαγιάς.
- Κατά το ζέσταμα φαγητού σε πλαστικά ή χάρτινα σκεύη, παρακολουθείτε το φούρνο καθώς υπάρχει πιθανότητα ανάφλεξης.
- Εάν εξέρχεται καπνός, απενεργοποιήστε ή αποσυνδέστε τον φούρνο από το ρεύμα και κρατήστε την πόρτα κλειστή για να καταστείτε τυχόν φλόγες.
- Μην χρησιμοποιείτε τον φούρνο ως χώρο αποθήκευσης. Μην αποθηκεύετε μέσα στον φούρνο τρόφιμα, όπως ψωμί, μπισκότα κλπ.
- Αφαιρείτε τα συρμάτινα δεματικά και τις μεταλλικές λαβές από τα χάρτινα ή πλαστικά δοχεία/συσκευασίες πριν τα τοποθετήσετε στον φούρνο.
- Αυγά με το κέλυφός τους και ολόκληρα βραστά αυγά δεν πρέπει να ζεσταίνονται στον φούρνο μικροκυμάτων καθώς ενδέχεται να εκραγούν, ακόμα και μετά το ζέσταμα.
- Η θερμοκρασία των προσβάσιμων επιφανειών μπορεί να είναι υψηλή όταν ο φούρνος μικροκυμάτων λειτουργεί.
- **ΠΡΟΕΙΔΟΠΟΙΗΣΗ:** Το περιεχόμενο στα μπιμπερό και τα βάζα βρεφικής τροφής πρέπει να ανακινείται και να ελέγχεται η θερμοκρασία πριν από τη χρήση για να αποφύγετε τυχόν εγκαύματα.
- **ΠΡΟΕΙΔΟΠΟΙΗΣΗ:** Το ζέσταμα ροφημάτων μπορεί να οδηγήσει σε καθυστερημένο απότομο βρασμό και γι' αυτό πρέπει να χειρίζεστε με προσοχή το σκεύος.



- Ο φούρνος μικροκυμάτων δεν πρέπει να τοποθετείται σε ερμάριο, εκτός εάν έχει ελεγχθεί η λειτουργία του σε ερμάριο.
- Ο φούρνος μικροκυμάτων δεν προορίζεται για λειτουργία μέσω εξωτερικού χρονοδιακόπτη ή ξεχωριστού συστήματος τηλεχειρισμού.
- Η πόρτα ή η εξωτερική επιφάνεια μπορεί να θερμανθεί όταν ο φούρνος μικροκυμάτων είναι σε λειτουργία.
- Η κεραμική επιφάνεια στο εσωτερικό του θαλάμου του φούρνου μικροκυμάτων μπορεί να θερμανθεί πολύ γι' αυτό μην την αγγίζετε μετά τη χρήση για να αποφύγετε τον κίνδυνο εγκαυμάτων.
- Μην πιέζετε ποτέ δυνατά προς τα κάτω την κεραμική επιφάνεια.
- Τοποθετείτε τα αντικείμενα προσεκτικά στο εσωτερικό του θαλάμου του φούρνου μικροκυμάτων, διαφορετικά υπάρχει κίνδυνος φθοράς της κεραμικής επιφάνειας.
- Μην τοποθετείτε αντικείμενα επάνω στη συσκευή. Αφήστε τουλάχιστον 15 cm ελεύθερο χώρο από το επάνω μέρος της συσκευής.
- Ο λαμπτήρας στο εσωτερικό της συσκευής χρησιμοποιείται για φωτισμό. Δεν παρέχεται για φωτισμό δωματίου.
- Ενδέχεται να προκληθούν εγκαύματα. Η συσκευή θερμαίνεται όταν είναι σε λειτουργία. Βεβαιωθείτε ότι δεν αγγίζετε τα στοιχεία θέρμανσης στο εσωτερικό του φούρνου.
- Ενδέχεται να προκληθούν εγκαύματα. Τα σκεύη ενδέχεται να θερμανθούν και από το θερμαινόμενο φαγητό. Γι' αυτό, χρησιμοποιείτε πάντα γάντια όταν αφαιρείτε μαγειρεμένο φαγητό από τη συσκευή.
- Βεβαιωθείτε ότι η πόρτα είναι καλά κλεισμένη κατά τη χρήση.
- **ΚΙΝΔΥΝΟΣ! Κίνδυνος ηλεκτροπληξίας.** Το άγγιγμα ορισμένων εσωτερικών εξαρτημάτων μπορεί να προκαλέσει σοβαρό τραυματισμό ή θάνατο. Μην αποσυναρμολογείτε τον φούρνο μικροκυμάτων.
- **ΠΡΟΕΙΔΟΠΟΙΗΣΗ! Κίνδυνος ηλεκτροπληξίας.** Η μη κατάλληλη γείωση μπορεί να προκαλέσει ηλεκτροπληξία. Μην συνδέσετε το φως στην πρίζα έως ότου τοποθετηθεί και γειωθεί σωστά ο φούρνος μικροκυμάτων.

GR

#### Προβλεπόμενη χρήση

- Η συσκευή προορίζεται για επαγγελματική χρήση.
- Ο φούρνος μικροκυμάτων έχει σχεδιαστεί μόνο για τη θέρμανση και την απόψυξη τροφίμων χρησιμοποιώντας κατάλληλα πιάτα. Οποιαδήποτε άλλη χρήση μπορεί να προκαλέσει ζημιά στο φούρνο μικροκυμάτων ή τραυματισμό.
- Η χρήση της συσκευής για οποιονδήποτε άλλο σκοπό θεωρείται εσφαλμένη. Ο χρήστης είναι αποκλειστικά υπεύθυνος για την μη κατάλληλη χρήση της συσκευής.



---

## Εγκατάσταση γείωσης

Η συσκευή αυτή ταξινομείται ως **κατηγορία προστασίας Ι** και πρέπει να συνδέεται με προστατευτικό έδαφος. Η γείωση μειώνει τον κίνδυνο ηλεκτροπληξίας παρέχοντας ένα καλώδιο διαφυγής για το ηλεκτρικό ρεύμα. Αυτή η συσκευή

είναι εφοδιασμένη με καλώδιο τροφοδοσίας που διαθέτει καλώδιο γείωσης και γειωμένο βύσμα. Το βύσμα πρέπει να συνδεθεί σε μια πρίζα που είναι σωστά εγκατεστημένη και γειωμένη.

---

## Σκεύη

Μπορεί να υπάρχουν μη μεταλλικά σκεύη που δεν είναι κατάλληλα για χρήση σε φούρνο μικροκυμάτων. Εάν έχετε αμφιβολίες, μπορείτε να

ελέγξετε το σκεύος ακολουθώντας την παρακάτω διαδικασία.

## Έλεγχος σκεύους:

Τοποθετήστε μέσα στο φούρνο μικροκυμάτων το σκεύος μαζί με ένα δοχείο με κρύο νερό (250ml) που είναι κατάλληλο για χρήση σε φούρνο μικροκυμάτων.

Λειτουργήστε τη συσκευή στη μέγιστη ισχύ για 1 λεπτό. Αγγίξτε το σκεύος. Εάν το σκεύος είναι ζεστό, μην το χρησιμοποιήσετε στο φούρνο μικροκυμάτων. Μην υπερβείτε το 1 λεπτό μαγειρέματος.

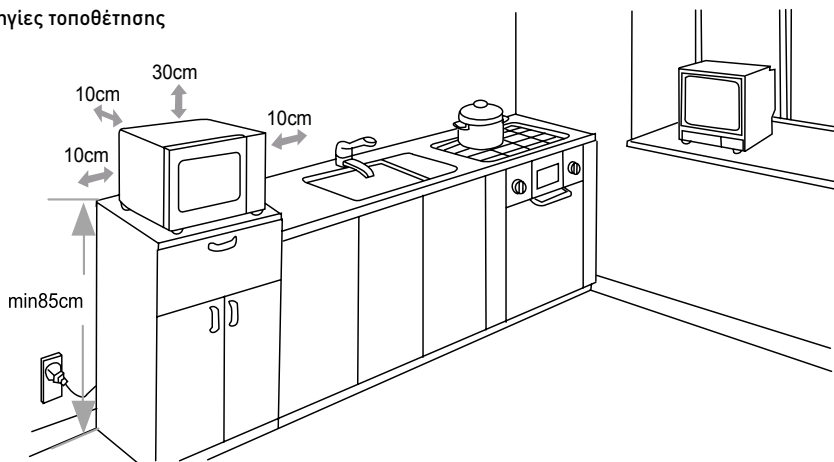
---

## Προετοιμασία πριν από την πρώτη χρήση

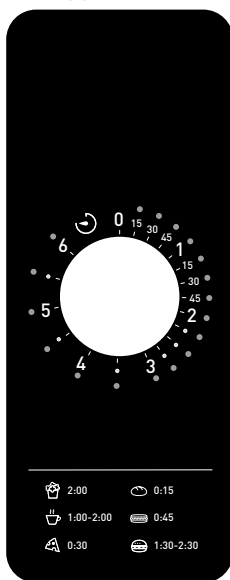
- Αφαιρέστε όλο το υλικό συσκευασίας και όλα τα εξαρτήματα.
- Ελέγξτε τον φούρνο μικροκυμάτων για τυχόν ζημιές, όπως χτυπήματα ή σπασμένη πόρτα. Σε περίπτωση μη ολοκληρωμένης παράδοσης ή ζημιών, ΜΗΝ χρησιμοποιήσετε τον φούρνο μικροκυμάτων.
- Αφαιρέστε τυχόν προστατευτική μεμβράνη από το εσωτερικό του φούρνου μικροκυμάτων.
- Φυλάξτε τη συσκευασία εάν σκοπεύετε να αποθηκεύσετε τη συσκευή σας στο μέλλον.
- Καθαρίστε το εσωτερικό του φούρνου με χλιαρό νερό και ένα μαλακό πανί.
- Καθαρίστε τα εξαρτήματα.
- Τοποθετήστε τον φούρνο σε επίπεδη επιφάνεια.

- Αφήστε τουλάχιστον 10 cm ελεύθερο χώρο γύρω από τον φούρνο μικροκυμάτων και 30 cm από το επάνω μέρος του για λόγους αερισμού.
- Μην τοποθετείτε αντικείμενα επάνω στον φούρνο.
- Τοποθετήστε τον φούρνο μικροκυμάτων σε σημείο ώστε να είναι πάντα δυνατή η πρόσβαση στο φως.
- Τοποθετήστε τον φούρνο όσο το δυνατόν πιο μακριά από ραδιόφωνο και τηλεόραση. Η λειτουργία του φούρνου μικροκυμάτων μπορεί να προκαλέσει παρεμβολές στη λήψη σήματος του ραδιοφώνου ή της τηλεόρασης.

## Οδηγίες τοποθέτησης



## Λειτουργία



Χρονοδιακόπτης

Όταν συνδέσετε το φιν σε μια κατάλληλη ηλεκτρική πρίζα, θα ακουστεί ένας σύντομος ήχος υποδεικνύοντας ότι η συσκευή είναι έτοιμη για χρήση. Ανοίξτε την πόρτα και τοποθετήστε το φαγητό μέσα στο φούρνο μικροκυμάτων. Κλείστε την πόρτα και γυρίστε τον χρονοδιακόπτη στον επιθυμητό χρόνο μαγειρέματος. Ο φούρνος μικροκυμάτων θα ξεκινήσει αμέσως. Το επίπεδο ισχύος είναι σταθερό και δεν μπορεί να ρυθμιστεί. Όταν τελειώσει ο χρόνος μαγειρέματος, ακούγονται μερικοί σύντομοι ήχοι και ο φούρνος μικροκυμάτων μεταβαίνει σε κατάσταση αναμονής.

GR

Σημείωση: Το επίπεδο ισχύος είναι σταθερό και δεν μπορεί να ρυθμιστεί. Ο χρόνος μαγειρέματος για διάφορα φαγητά παρέχεται μόνο για λόγους αναφοράς.

Όταν ανοίγετε την πόρτα ενώ ο φούρνος μικροκυμάτων βρίσκεται σε λειτουργία, η συσκευή σταματά. Όταν ξανακλείσετε την πόρτα, ο φούρνος θα ξαναρχίσει να λειτουργεί μετά από λίγα δευτερόλεπτα. Κατά τη λειτουργία της συσκευής μπορείτε να ρυθμίσετε τον χρόνο μαγειρέματος περιστρέφοντας τον χρονοδιακόπτη. Εάν γυρίσετε τον χρονοδιακόπτη στο '0', ο φούρνος μικροκυμάτων θα σταματήσει να λειτουργεί και θα ακουστούν μερικοί σύντομοι ήχοι υποδεικνύοντας ότι η λειτουργία του φούρνου μικροκυμάτων έχει σταματήσει.



## Καθαρισμός και Συντήρηση

- Πριν από τον καθαρισμό του φούρνου, βγάξτε πάντα το βύσμα από την πρίζα.
- Προσοχή: Μην βυθίζετε ποτέ τον φούρνο στο νερό ή σε άλλο υγρό!
- Καθαρίζετε την εξωτερική επιφάνεια του φούρνου με νερό, ήπιο καθαριστικό και ένα υγρό πανί. Στεγνώστε μετά τον καθαρισμό.
- Καθαρίστε το εσωτερικό και την πόρτα με νερό, ήπιο καθαριστικό και ένα υγρό πανί για να αφαιρέσετε τυχόν υπολείμματα και λίπος.
- Καθαρίστε τυχόν διαρροές μετά από κάθε χρήση. Αν δεν τις καθαρίσετε, μπορεί να προκύψουν μόνιμοι λεκέδες και άσχημες μυρωδιές.
- Διατηρείτε τις φλάντζες σφραγίσματος της πόρτας καθαρές, καθαρίζοντάς τις τακτικά με ένα ωπό πανί με νερό και ήπιο απορρυπαντικό.
- Ποτέ μην χρησιμοποιείτε επιθετικά ή λειαντικά καθαριστικά. Μην χρησιμοποιείτε αιχμηρά ή κοφτερά αντικείμενα. Μην χρησιμοποιείτε βενζίνη ή διαλύτες! Καθαρίστε με ένα υγρό πανί και απορρυπαντικό, εάν είναι απαραίτητο. Μην χρησιμοποιείτε λειαντικά υλικά.
- Καθαρίζετε τακτικά τα λίπη και το φίλτρο αέρα. Ο φούρνος μικροκυμάτων ενδέχεται να υπερθερμανθεί ή να μολυνθούν τα τρόφιμα από τα λίπη αν ο φούρνος δεν καθαριστεί σωστά.

## Αντιμετώπιση προβλημάτων

Τα παρακάτω συμβάντα θεωρούνται κανονικές επιδράσεις της χρήσης του φούρνου μικροκυμάτων.

- Κατά τη λειτουργία του φούρνου μικροκυμάτων, ενδέχεται να προκληθούν παρεμβολές στην τηλεόραση και το ραδιόφωνο.
- Ο φωτισμός του φούρνου μπορεί να μειωθεί κατά τη λειτουργία.
- Κατά τη διάρκεια της θέρμανσης, μπορεί να εκλυθεί ατμός από τα τρόφιμα και να συσσωρευτεί στα ψυχρότερα τμήματα του φούρνου μικροκυμάτων, όπως η πόρτα.

GR

Πρόβλημα	Πιθανή αιτία	Λύση
Ο φούρνος δεν λειτουργεί	Το καλώδιο τροφοδοσίας δεν έχει συνδεθεί σωστά.	Ελέγξτε εάν το καλώδιο τροφοδοσίας είναι σωστά συνδεδεμένο.
	Καμένη ασφάλεια ή λειτουργία αυτόματου διακόπτη.	Αντικαταστήστε την ασφάλεια ή επαναφέρετε τον αυτόματο διακόπτη. Αν δεν είστε σίγουροι πώς να το κάνετε, επικοινωνήστε με τον προμηθευτή.
	Η πρίζα είναι ελαττωματική	Δοκιμάστε την πρίζα με μια άλλη συσκευή και ελέγξτε τον αυτόματο διακόπτη.
Ο φούρνος δεν θερμαίνεται	Η πόρτα δεν έχει κλείσει σωστά	Ελέγξτε εάν η πόρτα κλείνει καλά και αν διαπιστώσετε πρόβλημα, επικοινωνήστε με τον προμηθευτή.

## Τεχνικές προδιαγραφές

Αρ. είδους: 281352

Τάση και συχνότητα λειτουργίας: 230V~ 50Hz

Ονομαστική ισχύς εισόδου: 1550W

Ονομαστική ισχύς εξόδου: 1000W

Χωρητικότητα φούρνου: 25 λίτρα

Κατηγορία προστασίας: Κατηγορία I

Συχνότητα φούρνου μικροκυμάτων: 2450MHz

Διαστάσεις: 511 x 432 x (Y) 311 mm

Καθαρό βάρος (περίπου): 14.7kg

**Σημείωση: Οι τεχνικές προδιαγραφές μπορούν να τροποποιηθούν χωρίς προηγούμενη ειδοποίηση.**





---

## Εγγύηση

Οποιοδήποτε ελάττωμα επηρεάζει τη λειτουργικότητα της συσκευής που γίνεται προφανές δύο χρόνια μετά την αγορά της, θα διορθώνεται με δωρεάν επισκευή ή αντικατάσταση, αρκεί η συσκευή να έχει χρησιμοποιηθεί και συντηρηθεί σύμφωνα με τις οδηγίες και να μην έχει γίνει κατάχρηση ή λανθασμένη χρήση της με οποιονδήποτε τρόπο. Δε θίγονται τα νόμιμα δικαιώματά σας. Εάν η συσκευή υποστηρίζεται

από εγγύηση, δηλώστε πού και πότε έχει αγοραστεί και συμπεριλάβετε την απόδειξη αγοράς (π.χ. απόδειξη λιανικής πώλησης).

Σύμφωνα με την πολιτική μας για τη συνεχή εξέλιξη των προϊόντων μας, διατηρούμε το δικαίωμα να αλλάξουμε το προϊόν, τη συσκευασία και τις προδιαγραφές τεκμηρίωσής του χωρίς προειδοποίηση.

---

## Απόρριψη & Περιβάλλον

Η συσκευή, μετά το πέρας της διάρκειας ζωής της, δεν πρέπει να απορρίπτεται ως οικιακό απόρριμμα. Πρέπει να απορρίπτεται, με δική σας ευθύνη, σε καθορισμένο σημείο συλλογής. Η μη τήρηση αυτού ενδέχεται να τιμωρείται σύμφωνα με τους ισχύοντες κανονισμούς για τη διάθεση των απορριμμάτων. Η χωριστή συλλογή και ανακύκλωση αυτής της συσκευής κατά τη στιγμή της απόρριψης βοηθά στη διατήρηση των φυσικών πόρων και εξασφαλίζει την ανακύκλωσή της

με τρόπο που προστατεύει την ανθρώπινη υγεία και το περιβάλλον.

Για περισσότερες πληροφορίες σχετικά με το πού μπορείτε να απορρίψετε τη συσκευή για ανακύκλωση, επικοινωνήστε με την τοπική εταιρεία συλλογής απορριμμάτων. Οι κατασκευαστές και οι εισαγωγείς δεν αναλαμβάνουν την ευθύνη ανακύκλωσης, επεξεργασίας και οικολογικής διάθεσης, είτε άμεσα είτε μέσω δημόσιου συστήματος.

ΣΕΡΒΙΣ ΕΛΛΑΔΟΣ:

Τηλ.: 213 0 998989 (10 γραμμές)

info@pks-hendi.com

GR









# HENDI

Tools for Chefs

## Hendi B.V.

Innovatielaan 6  
6745 XW De Klomp, The Netherlands  
**Tel:** +31 317 681 040  
**Email:** info@hendi.eu

## Hendi Polska Sp. z o.o.

ul. Firmowa 12  
62-023 Robakowo, Poland  
**Tel:** +48 61 658 7000  
**Email:** info@hendi.pl

## Hendi Food Service Equipment GmbH

Ehring 15  
5112 Lamprechtshausen, Austria  
**Tel:** +43 6274 200 10 0  
**Email:** office.austria@hendi.eu

## Hendi Food Service Equipment Romania S.R.L.

Str. 13 decembrie 94A, Hala 14  
Braşov, 500164, Romania  
**Tel:** +40 268 320330  
**Email:** office@hendi.ro

## PKS Hendi South East Europe SA

5 Metsovou Str.  
18346 Moschato, Athens, Greece  
**Tel:** +30 210 4839700  
**Email:** info@pks-hendi.com

## Hendi Italia S.R.L.

Via Leonardo da Vinci 4  
39100 Bolzano (BZ), Italy  
**Tel:** +39 800 727 438  
**Email:** office.italy@hendi.eu

## Hendi HK Ltd.

1208, 12/F Exchange Tower  
33 Wang Chiu Road, Kowloon Bay, Hong Kong  
**Tel:** +852 2154 2618  
**Email:** info-hk@hendi.eu

## Find Hendi on internet:

[www.hendi.eu](http://www.hendi.eu)  
[www.facebook.com/HendiToolsforChefs](https://www.facebook.com/HendiToolsforChefs)  
[www.linkedin.com/company/hendi-food-service-equipment-b.v.](https://www.linkedin.com/company/hendi-food-service-equipment-b.v.)  
[www.youtube.com/HendiEquipment](https://www.youtube.com/HendiEquipment)

- Changes, printing and typesetting errors reserved.
- Änderungen und Druckfehler vorbehalten.
- Wijzigingen en drukfouten voorbehouden.
- Producent zastrzega sobie prawo do zmian oraz błędów drukarskich w instrukcji.
- Variations et fautes d'impression réservés.

- Errori di cambiamenti, di stampa e di impaginazione riservati.
- Drepturi rezervate cu privire la modificări și greșeli de imprimare.
- Изменения, печати и верстки ошибки защищены.
- Με επιφύλαξη αλλαγών, λαθών εκτύπωσης και στοιχειοθεσίας.