



Tools for Chefs

STICK BLENDER

222157



You should read this user manual carefully before using the appliance.

Sie sollten diese Bedienungsanleitung sorgfältig lesen, bevor Sie das Gerät verwenden.

Lees deze gebruikershandleiding zorgvuldig door voordat u het apparaat gebruikt.

Przed użyciem urządzenia należy uważnie przeczytać niniejszą instrukcję obsługi.

Vous devez lire attentivement ce manuel d'utilisation avant d'utiliser l'appareil.

È necessario leggere attentamente questo manuale utente prima di utilizzare l'apparecchio.

Ar trebui să citiți cu atenție acest manual de utilizare înainte de a utiliza aparatul.

Перед использованием прибора внимательно прочтите это руководство пользователя.

Πρέπει να διαβάσετε προσεκτικά αυτό το εγχειρίδιο χρήσης πριν χρησιμοποιήσετε τη συσκευή.

Prije upotrebe uređaja pažljivo pročitajte ovaj korisnički priručnik.

Před uvedením spotřebiče do provozu byste si měli pečlivě přečíst návod k použití.

A készülék használatá előtt figyelmesen olvassa el ezt a felhasználói kézikönyvet.

Перед використанням приладу слід уважно прочитати інструкцію.

Enne seadme kasutamist lugege kasutusjuhend hoolikalt läbi.

Pirms iekārtas izmantošanas rūpīgi izlasiet šo lietošanas instrukciju.

Prieš naudodamiesi įrenginiu atidžiai perskaitykite šias naudojimosi instrukcijas.

Você deve ler este manual do usuário cuidadosamente antes de usar o aparelho.

Debe leer este manual de usuario detenidamente antes de utilizar el aparato.

Pred uvedením spotřebiča do prevádzky by ste si mali dôkladne prečítať návod na použitie.

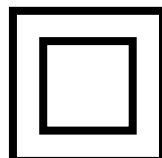
Pred uporabo naprave natančno preberite ta navodila za uporabo.



Keep these instructions with the appliance.
Bewahren Sie diese Anweisungen zusammen mit dem Gerät auf.
Bewaar deze instructies bij het apparaat.
Przechowuj tę instrukcję razem z urządzeniem.
Conservez ces instructions avec l'appareil.
Conservare queste istruzioni insieme all'apparecchio.
Pástraťi aceste instrucțiuni la aparat.
Храните эти инструкции вместе с прибором.
Φυλάξτε αυτές τις οδηγίες στη συσκευή.
Držite ove upute s aparatom.



For indoor use only.
Nur für den Innengebrauch.
Alleen voor Gebruik binnenshuis.
Tylko do użytku w pomieszczeniach.
Pour une utilisation en intérieur uniquement.
Solo per uso interno.
Numai pentru uz interior.
Тільки для використання вна́три помеще́ний.
Μόνο για εσωτερική χρήση.
Samo za unutarnju upotrebu.




Tyto pokyny uschovajte u prístroje.
Tartsa ezeket az utasításokat a készülékénél.
Зберігати інструкцію разом з обладнанням.
Hoidke neid juhiseid seadme juures.
Saglabājiet šos norādījumus kopā ar ierīci.
Laikykite šias instrukcijas kartu su įrenginiu.
Guarde estas instruções com o aparelho.
Guarde estas instrucciones con el aparato.
Tieto pokyny si uschovajte spolu so spotřebičom.
Navodila shranite skupaj z napravom.

Pouze pro vnitřní použití.
Csak beltéri használatra.
Використовувати тільки всередині приміщення.
Ainult sisetingimustes kasutamiseks.
Tikai lietošanai telpās.
Naudoti tik patalpojē.
Apenas para uso interno.
Sólo para uso en interiores.
Iba na vnútorné použitie.
Samo za uporabo v zaprtih prostorih.

Dear Customer,

Thank you for purchasing this HENDI appliance. Read this manual carefully, paying particular attention to the safety regulations outlined below, before installing and using this appliance for the first time.

Safety regulations

- This appliance is intended for commercial use.
- Only use the appliance for the intended purpose it was designed for as described in this manual.
- The manufacturer is not liable for any damage caused by incorrect operation and improper use.
- Keep the appliance and electrical plug away from water and other liquids. In the event the appliance falls into water, immediately remove the power plug from the socket. Do not use the appliance until it has been checked by a certified technician. Failure to follow these instructions will cause life threatening risks.
- Never attempt to open the housing of the appliance by yourself.
- Do not insert objects into the housing of the appliance.
- Do not touch the plug with wet or damp hands.
-  **Danger of electric shock!** Do not attempt to repair the appliance by yourself, repairs are only to be conducted by qualified personnel.
- **Never use a damaged appliance!** When it's damaged, disconnect the appliance from the socket and contact the retailer.
- **Warning!** Do not immerse the electrical parts of the appliance in water or other liquids.
- Never hold the appliance under running water.
- Regularly check the power plug and cord for any damage. When damaged it must be replaced by a service agent or similarly qualified person in order to avoid danger or injury.
- Make sure the cord does not come in contact with sharp or hot objects and keep it away from open fire. Never pull the power cord to unplug it from the socket, always pull the plug instead.
- Make sure that the power cord and/or extension cord do not cause a trip hazard.
- Never leave the appliance unattended during use.
- **Warning!** As long as the plug is in the socket the appliance is connected to the power source.
- Turn off the appliance before unplugging it from the socket.
- Connect the power plug to an easily accessible electrical socket so that in case of emergency the appliance can be unplugged immediately.
- Never carry the appliance by the cord.
- Do not use any extra devices that are not supplied together with the appliance.
- Only connect the appliance to an electrical outlet with the voltage and frequency mentioned on the appliance label.
- Never use accessories other than those recommended by the manufacturer. Failure to do so could pose a safety risk to the user and could damage the appliance. Only use original parts and accessories.


EN



- This appliance should not be operated by persons with reduced physical, sensory or mental capabilities, or persons that have a lack of experience and knowledge.
- This appliance should, under any circumstances, not be used by children.
- Keep the appliance and its power cord out of reach of children.
- **WARNING:** ALWAYS switch off the appliance and unplug from power socket before cleaning, maintenance or storage.

Special Safety Regulations


- Use the appliance only as described in this manual. Indoor use only.
- This appliance should be operated and installed by specialized trained personnel in the kitchen of the food industry such as catering, restaurant, bar, etc.
- All maintenance, installation and repair works should be performed by specialized trained authorized technicians.
- Keep the appliance away from hot surfaces and open flames. Always operate the appliance on a level, stable, clean, heat-resistant and dry surface.
- Wear protective clothing, mask, or protective glasses if necessary during operation.
- This appliance is not intended to be operated by means of an external timer or separate remote-control system.
- **WARNING:** Keep all ventilation openings in the appliance clear of obstruction.
- **WARNING:** During operation, keep hands and utensils out of the container to reduce the risk of severe personal injury and / or damage to the blender.
- Allow at least 20 cm spacing around the appliance to avoid danger.
- **Caution!** Securely route the power cord if necessary in order to prevent unintentional pulling or contact with the moving blade.
- Do not immerse the shaft into the water or liquid less than 5cm.
- Do not continuously operate the appliance to avoid overheating the motor. The continuous operation time should not exceed over 3 minutes. Operate the appliance again, after it has been cooled.
- Do not use the machine outside the container.
- Do not touch the blade, blade guard and moving parts. Keep fingers, hair, clothing and utensils away from all moving parts.
- Do not wash the appliance with water or waterjet. Washing with water can cause leakage and increase the risk of electric shock. No parts are dishwasher safe.
- To avoid damaging the cord, do not squeeze, bend or chafe it on sharp edges. Keep it away from hot surfaces and open flames as well. Do not let rotating blades touch the power cord.
- Lay out the power cord in such a way that no unintentional pulling or tripping over is possible.
- Do not clean or store the machine unless it is completely cooled down.
- **Danger of injury!** Care should be taken when handling the sharp cutting blades during cleaning.

-  This appliance is classified as protection class II.

Intended use

- This appliance is intended for professional use.
- This appliance is solely intended for crushing, mixing, mashing and pureeing suitable soft ingredients in a container. Any other use may lead to damage of the appliance or personal injury.
- Operating the appliance for any other purpose shall be deemed a misuse of the device. The user shall be solely liable for improper use of the device.

Main parts of the appliance

1. ON/OFF switch  : Press and hold for continuous operation; Release the button to stop operation
2. Increase speed setting + : Increase speed between 1 to 6
3. Decrease speed setting - : Decrease speed between 1 to 6
4. LCD display: To show the speed setting
5. Handle
6. Ventilation holes
7. Detachable blending part
8. Blade
9. Blade guard
10. Main unit with motor



EN

Preparations before operation

- Remove all protective packaging and wrapping.
- Check the appliance for completeness and transport damages. In case of incomplete delivery or damage, contact supplier immediately. DO NOT use the appliance. (See ==> Warranty).
- Clean the appliance before use (See ==> Cleaning and Maintenance).
- Make sure the appliance is completely dry.
- Preparation of the food ingredients for processing.

Before operation

- Read this manual thoroughly and carefully before operation.
- Ensure the appliance is placed in a dry area without any obstacles to block your operation.
- Check to ensure the electrical power supply corresponds with the rating label on the appliance.
- Make sure the blending part (7) is installed firmly with the main body with motor part (10).



Transportation

- Do not move the appliance while it is under operation. Unplug the appliance when moving to another place.
- Hold the handle part of the appliance when moving away.

Operation

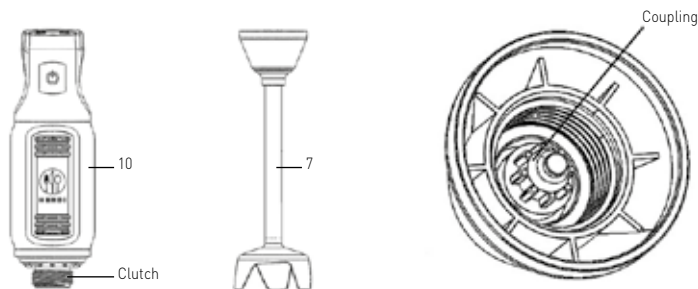
Observe the following safety advice at all times!

- Always ensure the appliance is disconnected from the power supply before it is assembled with the blending part (7).
- Never put your hands into the food container (not supplied). Always use wooden or plastic spatulas, and only when the appliance is not running.
- Do not operating the appliance with no foodstuff inside the container or with hard foods, hot liquids, heavy dough, etc.in order to prevent overheated.
- **WARNING!** Unplug the appliance immediately after use.

Assembling / Disassembly of the attachments

The assembly / disassembly operations of the appliance are performed with the appliance stopped and disconnected from the power supply.

Main unit (10) and blending part (7):



Disassembly:

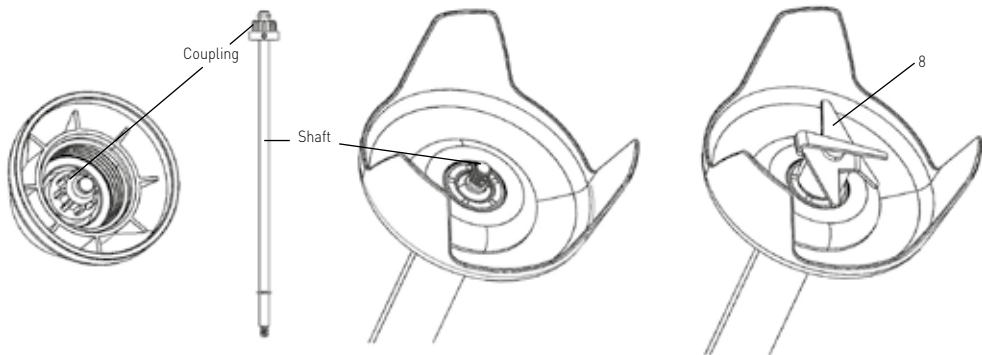
1. Hold the main unit (10) and screw out the blending part (7) by clockwise until it is fully detached.

Assembly:

1. Align the coupling of the blending part (7) to the clutch of the main unit (10).
2. Screw in the blending part (7) by anti-clockwise until it is fully tightened.

Blending part (7) and blade (8):

CAUTION! Please wear protective gloves for disassembly (not included).



Disassembly:

1. Hold the coupling of the blending part (7) and screw out the blade (8) by anti-clockwise until it is fully detached.
2. Hold the blending part (7) and pull out the shaft.

Assembly:

1. Insert the shaft into the blending part (7) until it is fully inserted.
2. Hold the coupling of the blending part (7) and screw in the blade by clockwise until it is fully tightened.

Suitable for:	<ul style="list-style-type: none"> • Blending juices and shakes • Mixing soft ingredients (e.g. pancake batter or mayonnaise). • Mixing vegetables into soup (e.g. carrots, etc.)
Preparation:	<ul style="list-style-type: none"> • Peel or pare food and cut them into small chunks. • Place the food into a suitable container of capacity 1~4 litres.
Maximum continuous operation time	3 minutes to prevent motor overheated. Operate the appliance again after cool down.

EN

- Once connected to the power plug, "3" will be shown on the LCD display (4).
- Lower the blending part (7) into the food container (not supplied). Fully submerge blade (8) into the ingredients before starting the appliance. **ATTENTION:** You should not submerge the blending part (7) above the **Max.** mark.
- Hold the main unit (10) firmly with one hand and the mixing container with the other hand.
- Press and hold the ON / OFF button (1), the appliance then starts blending continuously.
- Use a gentle up-and-down motion to blend the food ingredients smoothly.
- To avoid food spattering, do not lift the appliance out of the ingredients during operation.

- Select the blade speed by pressing the + (2) or - (3) button (Speed range: 1 to 6) during operation. The blade speed will be shown on the LCD display (4).

Note: No need to press the ON/OFF button (1) when selecting the blade speed simultaneously.

- After finish operation, release the ON / OFF button (1) to switch off the appliance.
- Wait until the blade (8) stop completely. Then, unplug it from the electrical supply.
- Turn the main unit (10) clockwise to disassembly the blending part (7) for cleaning.

Note:

1. Press and hold the decreasing and increasing button + (2) or - (3) button for fast adjustment.
2. The default blade speed will be set to "3" once plug in.



Cleaning and Maintenance

Attention: Always unplug the appliance from the electrical power outlet and let it cool down completely before cleaning and disassembly the blending part (7).

Cleaning

- Remove all obstacles near the blade.
 - Place the blending arm and the bell in a suitable container with clean water and switch on for a few seconds. Never immerse the shaft above the Max. mark.
 - Never immerse the motor unit or the handle in water; clean with a damp cloth or a sponge.
- WARNING:** Always dry the blades thoroughly after cleaning to avoid rust spotting.

Recommended cleaning procedure:

Parts	How to clean	Frequency
Main unit with motor (10)	<ul style="list-style-type: none">• Never immerse this part into water or other liquids.• Using a damp cloth with some detergent and water, rinse, sanitize and dry thoroughly.	Clean after each use
Blending part (7)	<ul style="list-style-type: none">• Clean it with warm water and some mild detergent. Do not submerge the Detachable blending part (7) above the Max. mark.• Dry all parts before using again.	
Blade (8)	<ul style="list-style-type: none">• Warning! Risk of injury! Take great care when cleaning the blades.• Clean it with warm water and some mild detergent.• Dry it thoroughly after cleaning.	

Storage

- Before storage, always make sure the appliance has already been disconnected from the electrical outlet and cooled down completely.
- Store the appliance in a cool, clean and dry place and keep out of reach of the children.

Troubleshooting

If the appliance does not function properly, please check the below table for the solution. If you are still unable to solve the problem, please contact the supplier/service provider.


Problems	Possible causes	Possible solution
Appliance does not switch on	Power plug is not connected to a suitable power supply properly.	Check to make sure the power plug is connected to a suitable electrical outlet properly.
	ON/OFF button (1) is not pressed.	Press and hold the ON/OFF button (1) to switch on the appliance.
Abnormal noises while processing	The blending part (7) is not connected correctly.	Disassembly and assembly the blending part (7) again.
Appliance cannot operate	Inside overheat devices activates.	Let the appliance cool down complete before start operation again.
Appliance is overheat	Overtime operation	Release the ON/OFF button and unplug the device, wait 10 minutes for the motor to cool down.

Technical specification

Item no.: 222157

Operating voltage and frequency: 230V~ / 50Hz

Rated input power: 250W

Protection class: Class II 

Waterproof protection class: IP23

Dimension: approx. 71 x 71 x (H) 444 mm

Net weight: approx. 1,6kg

Rotation speed [rpm]: approx. 6,600 to 13,500

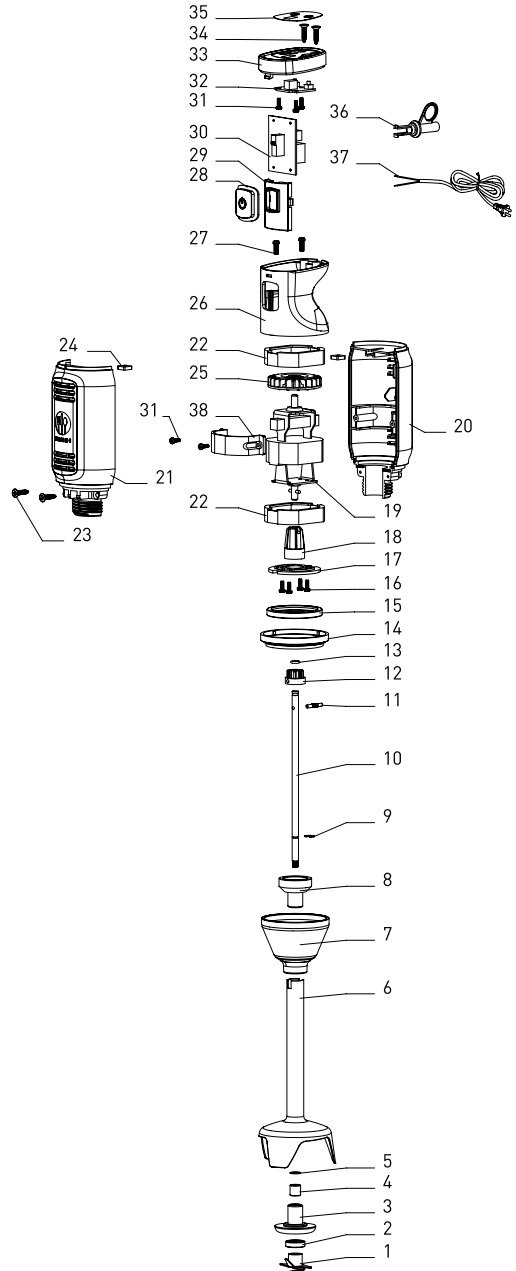
Noise level: < 85dB(A)

Remark: Technical specification is subjected to change without prior notification.

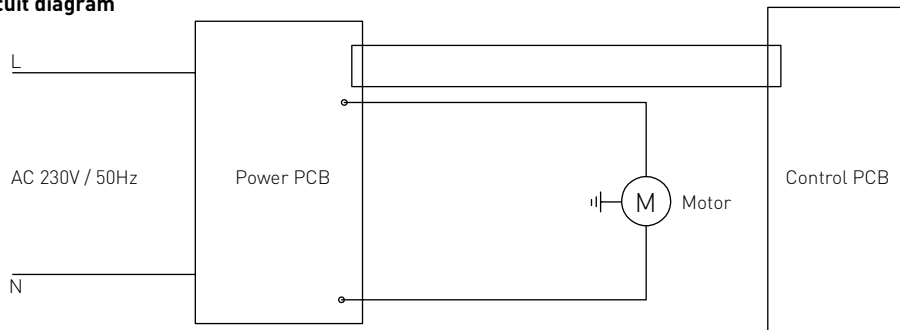


Part list for 222157

Part no.	Part name	Quantity
1	Titanium blade assembly	1
2	Blade shaft seal ring	1
3	Fixing bushing	1
4	Bearing	1
5	Steel ring	1
6	Shaft	1
7	Head of shaft	1
8	Mounting shaft cover	1
9	E shape ring	1
10	Blade shaft	1
11	Blade shaft pin	1
12	Spline shaft	1
13	Anti-vibration seal ring	1
14	Coated ring	1
15	Anti-vibration ring for motor	1
16	Screw for motor	4
17	Motor fixing plate	1
18	Spline sleeve	1
19	Motor	1
20	Right enclosure	1
21	Left enclosure	1
22	Motor absorbing cover	2
23	Motor mounting screw	2
24	Right and left enclosure mounting nut	2
25	Motor fan	1
26	Top enclosure	1
27	All enclosures mounting screw	2
28	On / Off button rubber	1
29	Button fixing frame	1
30	Power board	1
31	Mounting screw	5
32	Control board	1
33	Upper cover	1
34	Top enclosure mounting screw	2
35	Control sticker	1
36	Strain Relief	1
37	Power cord with plug	1
38	Motor fixing frame	1



Circuit diagram



Warranty

Any defect affecting the functionality of the appliance which becomes apparent within one year after purchase will be repaired by free repair or replacement provided the appliance has been used and maintained in accordance with the instructions and has not been abused or misused in any way. Your statutory rights are not affected. If the appliance is claimed under warranty, state where and

when it was purchased and include proof of purchase (e.g. receipt).

In line with our policy of continuous product development we reserve the right to change the product, packaging and documentation specifications without notice.

Discarding & Environment

When decommissioning the appliance, the product must not be disposed of with other household waste. Instead, it is your responsibility to dispose of your waste equipment by handing it over to a designated collection point. Failure to follow this rule may be penalized in accordance with applicable regulations on waste disposal. The separate collection and recycling of your waste equipment at the time of disposal will help conserve natural re-

sources and ensure that it is recycled in a manner that protects human health and the environment. For more information about where you can drop off your waste for recycling, please contact your local waste collection company. The manufacturers and importers do not take responsibility for recycling, treatment and ecological disposal, either directly or through a public system.


EN



Sehr geehrter Kunde,

Vielen Dank für den Kauf dieses Hendi Gerät. Lesen Sie dieses Handbuch sorgfältig und achten Sie besonders auf die unten aufgeführten Sicherheitsvorschriften, bevor Sie dieses Gerät zum ersten Mal installieren und verwenden.

Sicherheitsvorschriften

- Dieses Gerät ist für den gewerblichen Gebrauch bestimmt.
- Verwenden Sie das Gerät nur für den vorgesehenen Zweck, für den es entworfen wurde, wie in diesem Handbuch beschrieben.
- Der Hersteller haftet nicht für Schäden, die durch fehlerhafte Bedienung und unsachgemäße Verwendung verursacht werden.
- Halten Sie das Gerät und den elektrischen Stecker von Wasser und anderen Flüssigkeiten fern. Falls das Gerät in Wasser fällt, entfernen Sie sofort den Netzstecker von der Steckdose. Verwenden Sie das Gerät erst, wenn es von einem zertifizierten Techniker überprüft wurde. Die Nichtbefolgung dieser Anweisungen führt zu lebensbedrohlichen Risiken.
- Versuchen Sie niemals, das Gehäuse des Geräts selbst zu öffnen.
- Legen Sie keine Objekte in das Gehäuse der Appliance ein.
- Berühren Sie den Stecker nicht mit nassen oder feuchten Händen.
-  **Gefahr eines elektrischen Schlags!** Versuchen Sie nicht, das Gerät selbst zu reparieren, Reparaturen sind nur von qualifiziertem Personal durchzuführen.
- **Verwenden Sie niemals ein beschädigtes Gerät!** Wenn es beschädigt ist, trennen Sie das Gerät von der Steckdose und wenden Sie sich an den Händler.
- **Warnung!** Tauchen Sie die elektrischen Teile des Geräts nicht in Wasser oder andere Flüssigkeiten ein.
- Halten Sie das Gerät niemals unter fließendem Wasser.
- Überprüfen Sie regelmäßig den Netzstecker und das Kabel auf Beschädigungen. Bei Beschädigung muss es durch einen Dienstleister oder eine ähnlich qualifizierte Person ersetzt werden, um Gefahren oder Verletzungen zu vermeiden.
- Stellen Sie sicher, dass das Kabel nicht mit scharfen oder heißen Gegenständen in Berührung kommt und halten Sie es von offenem Feuer fern. Ziehen Sie niemals das Netzkabel, um es von der Steckdose zu trennen, ziehen Sie stattdessen immer den Stecker.
- Stellen Sie sicher, dass das Netzkabel und/oder das Verlängerungskabel keine Auslösegefahr verursachen.
- Lassen Sie die Appliance während des Gebrauchs niemals unbeaufsichtigt.
- **Warnung!** Solange sich der Stecker in der Steckdose befindet, wird das Gerät an die Stromquelle angeschlossen.
- Schalten Sie die Appliance aus, bevor Sie sie vom Sockel trennen.
- Schließen Sie den Netzstecker an eine leicht zugängliche Steckdose an, so dass das Gerät im Notfall sofort abgenommen werden kann.

DE



- Tragen Sie das Gerät niemals an der Schnur.
- Verwenden Sie keine zusätzlichen Geräte, die nicht zusammen mit der Appliance geliefert werden.
- Schließen Sie das Gerät nur an eine Steckdose mit der Spannung und Frequenz an, die auf dem Etikett des Gerätes angegeben ist.
- Verwenden Sie niemals anderes Zubehör als das vom Hersteller empfohlene Zubehör. Andernfalls könnte ein Sicherheitsrisiko für den Benutzer darstellen und das Gerät beschädigen. Verwenden Sie nur Originalteile und Zubehör.
- Dieses Gerät sollte nicht von Personen mit eingeschränkter körperlicher, sensorischer oder geistiger Leistungsfähigkeit oder von Personen mit mangelnder Erfahrung und Kenntnisnahme betrieben werden.
- Dieses Gerät sollte unter keinen Umständen von Kindern verwendet werden.
- Bewahren Sie das Gerät und das Netzkabel außerhalb der Reichweite von Kindern auf.
- **ACHTUNG:** Schalten Sie das Gerät immer aus und ziehen Sie es vor der Reinigung, Wartung oder Lagerung von der Steckdose ab.

Besondere Sicherheitsvorschriften

- Verwenden Sie das Gerät ausschließlich gemäß der Anleitung. Ausschließlich für den internen Gebrauch.
- Das Gerät ist weit entfernt von heißen Flächen und offenem Feuer zu lagern. Stellen Sie das Gerät auf eine ebene, stabile, saubere und trockene Fläche auf, die auch gegen die Einwirkung hoher Temperaturen beständig ist.
- Falls notwendig, verwenden Sie während der Bedienung des Geräts die Schutzkleidung, -maske oder -brille.
- Das Gerät ist für die Bedienung durch eine externe Schaltuhr oder ein gesondertes Fernsteuersystem nicht geeignet.
- **WARNUNG:** Verdecken Sie nicht die Belüftungsöffnungen im Gehäuse des Gerätes.
- **WARNUNG:** Stecken Sie nie ihre Hände oder das Küchenzubehör in den Behälter während des Funktionsbetriebs ein, um so das Risiko der schweren Körperverletzungen und/oder Beschädigungen des Stabmixers zu vermeiden.
- Belassen Sie einen Freiraum von mindestens 20 cm rundum das Gerät, um dieses Risiko zu vermeiden.
- **Achtung!** Führen und sichern Sie entsprechend das Netzkabel, um ein unbeabsichtigtes Ziehen oder Berühren des rotierenden Schneidmessers zu vermeiden.
- Den Stab darf man nicht in den Behälter mit Wasser oder einer anderen Flüssigkeit eintauchen, wenn ihr Niveau 5 cm nicht überschreitet.
- Verwenden Sie nicht das Gerät für lange Zeit zur Vermeidung der Überhitzung des Motors. Das Gerät sollte nicht ununterbrochen arbeiten, und zwar länger als 3 Minuten. Das Gerät kann man wieder erst nach seinem Abkühlen verwenden.
- Das Gerät darf nicht benutzt werden, wenn der Mischstab sich nicht im Behälter befindet.



- Ebenso darf man weder die Schneide noch die anderen beweglichen Teile berühren. Während des Funktionsbetriebes darf man nicht die beweglichen Teile mit der Hand als auch mit den Küchengeräten berühren; die Haare zusammenbinden.
- Waschen Sie das Gerät nicht mit einem starken Wasserstrahl. Beim Waschen des Geräts kann Wasser in den elektrischen Teil gelangen und so zu einem Stromschlag führen. Die Teile des Geräts dürfen in der Spülmaschine nicht gereinigt werden.
- Um Beschädigungen des Netzkabels zu vermeiden, darf man es weder drücken, biegen noch über scharfe Kanten hängen. Halten Sie das Netzkabel fern von heißen Flächen und einer offenen Flamme. Bringen Sie nie die rotierenden Schneidmesser in die Nähe des Netzkabels.
- Verlegen Sie das Netzkabel so, dass niemand es unbeabsichtigt zieht oder darüber stolpert.
- Reinigen und stellen Sie das Gerät nicht am Lagerort ab, bis es nicht völlig abgekühlt ist.
- **Es besteht die Verletzungsgefahr!** Seien Sie vorsichtig, wenn Sie scharfe Schneidmesser demontieren sowie reinigen.
- Der Stabmixer ist ein Gerät der II. Schutzklasse.


Verwendungszweck

- Das Gerät ist für den professionellen Einsatz geeignet.
- Dieses Gerät ist nur zum Zerkleinern, Mischen, Pürieren, Stampfen mit geeigneten weichen Lebensmitteln in einem Behälter bestimmt. Verwendung des Gerätes für andere Zwecke kann zu

seiner Beschädigung sowie zu Körperverletzungen führen.

- Jede andere Verwendung des Gerätes gilt als nicht bestimmungsgemäß. Der Benutzer ist allein verantwortlich für die unsachgemäße Nutzung des Gerätes.

Hauptteile des Geräts

1. EIN-/AUS-Taste  : Drücken und halten Sie sie gedrückt, um einen ununterbrochenen Betrieb
2. Erhöhung der Drehzahl + :
Erhöhen Sie die Drehzahl - von 1 bis 6
3. Verringerung der Drehzahl - :
Verringern Sie die Drehzahl - von 1 bis 6
4. LCD-Display: Das Display zeigt eine aktuelle Drehzahl
5. Griff
6. Lüftungsöffnungen
7. Abnehmbarer Mischstab
8. Klinge
9. Messerabdeckung
10. Haupteinheit (mit Motor)



Vorbereitung vor erstem Gebrauch

- Die Verpackung und die Schutzrichtungen sind abzunehmen und zu entsorgen.
- Überprüfen Sie das Gerät auf Vollständigkeit und eventuelle Beschädigungen während des Transports. Setzen Sie sich mit dem Lieferanten in Verbindung, wenn Sie die unvollständige Lieferung oder die Beschädigungen festgestellt haben. Verwenden Sie NICHT das Gerät, wenn Sie die unvollständige Lieferung oder die Beschädigungen festgestellt haben. (Siehe ==> Garantie).
- Reinigen Sie das Gerät (siehe ==> Reinigung und Wartung).
- Prüfen Sie, ob das Gerät völlig trocken ist.
- Vorbereitung der Zutaten

Vor Gebrauch

- Machen Sie sich vor der Nutzung des Geräts mit der vorliegenden Gebrauchsanweisung genau vertraut.
- Überprüfen Sie, ob das Gerät an einem trockenen Ort gestellt wurde und irgendwelche Gegenstände seinen Betrieb nicht verhindern.
- Vergewissern Sie sich, dass die Spezifikation des Gerätes auf dem Typenschild den Parametern in der Steckdose entspricht, an die das Gerät anzuschließen ist.
- Überprüfen Sie, ob der Mixstab (7) an die Haupteinheit (10) richtig angeschlossen ist.

Transport

- Verlegen Sie das Gerät nicht während seines Betriebs. Trennen Sie immer zuerst das Gerät von der Elektrosteckdose, bevor Sie es an einen anderen Ort stellen.
- Halten Sie das Gerät am Handgriff, indem Sie es verlegen.

Bedienung

Beachten Sie immer die nachfolgenden Sicherheitshinweise!

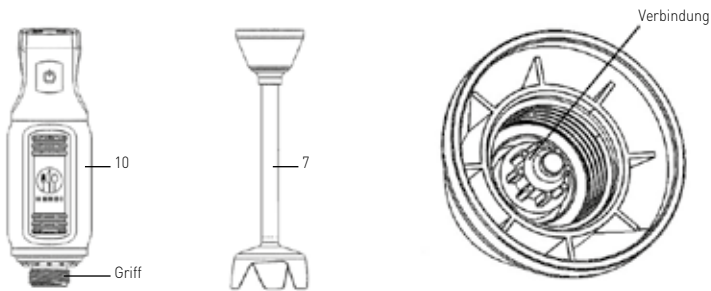
- Man muss sich immer zuerst überzeugen, ob das Gerät vor dem Anschließen des Mischstabes (7) an das Gehäuse von der Stromversorgung getrennt wurde.
- Stecken Sie nie ihre Hände in den Lebensmittelbehälter (nicht mitgeliefert) ein. Zum Mischen sind immer die Löffel (aus Holz oder Kunststoff) zu verwenden; verwenden Sie die Löffel nur dann, wenn das Gerät nicht in Betrieb genommen wird.
- Verwenden Sie das Gerät nicht, wenn der Behälter leer ist, oder zum Mixen von harten Lebensmitteln, heißen Flüssigkeiten, harter Teigmasse (usw.), um die Überhitzung des Stabmixers zu vermeiden.
- **WARNUNG!** Ziehen Sie den Stecker aus der Steckdose sofort nach der Beendigung des Betriebs des Geräts.



Montage / Demontage

Die Montage/Demontage eines Teiles des Gerätes muss man dann durchführen, wenn das Gerät ausgeschaltet und von der Stromversorgungsquelle getrennt ist.

Grundgerät (10) und Verschlussstück (7):



Zerlegung:

1. Halten Sie das Grundgerät (10) und schrauben Sie das Verschlussstück (7) im Uhrzeigersinn heraus, bis es sich vollständig gelöst hat.

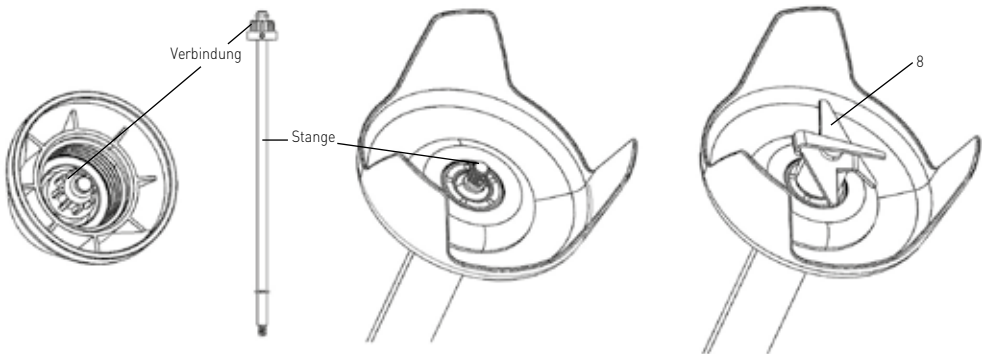
Montage:

1. Richten Sie die Kupplung des Verschlussstücks (7) auf die Kupplung der Haupteinheit (10) aus.
2. Schrauben Sie das Verschlussstück (7) durch Drehen gegen den Uhrzeigersinn ein, bis es festgezogen ist.

DE

Verschlussstück (7) und Klinge (8) ausrichten:

VORSICHT! Bitte tragen Sie hierbei Schutzhandschuhe (nicht im Lieferumfang enthalten).



Demontage:

1. Halten Sie die Verbindung des Verschlussstücks (7) und schrauben Sie die Klinge (8) gegen den Uhrzeigersinn heraus, bis sie sich völlig gelöst hat.
2. Halten Sie das Verschlussstück (7) fest und ziehen Sie die Stange heraus.

Montage:

1. Führen Sie die Stange in die Mixereinheit (7) ein, bis diese fest verankert ist.
2. Halten Sie die Verbindung des Verschlussstücks (7) und schrauben Sie das Blatt im Uhrzeigersinn an.



Das Gerät dient zum	<ul style="list-style-type: none"> • Blenden von Säften oder Shakes. • Mixen von weichen Lebensmitteln (z.B. Crêpesmasse oder Mayonnaise). • Mixen von Gemüse zur Zubereitung von Suppen (z.B. Karottensuppen usw.)
Zubereitung:	<ul style="list-style-type: none"> • Schälen oder schneiden Sie die unnötigen Elemente der Lebensmittel weg; schneiden Sie das Gemüse/Obst in kleine Stücke. • Legen Sie die Lebensmittel in den entsprechenden Behälter mit einem Volumen von 1 bis 4 Litern ein.
Die maximale ununterbrochene Betriebszeit beträgt	3 Minuten - der längere Betrieb des Geräts kann zur Überhitzung des Motors führen. Nehmen Sie das Gerät wieder in Betrieb, nachdem es abgekühlt ist.

- Nach dem Anschließen des Gerätes an die Elektrosteckdose erscheint auf dem LCD-Display (4) der Wert „3“.
- Jetzt ist der Mischstab (7) in den Behälter für Lebensmittel (wird dem Gerät nicht beigefügt) zu stellen. Vor der Inbetriebnahme des Gerätes ist die Klinge (8) komplett in die im Behälter vorhandenen Bestandteile zu tauchen.
HINWEIS: Der Mischstab (7) darf niemals oberhalb des gekennzeichneten maximalen Niveaus eingetaucht werden.
- Halten Sie die Haupteinheit (10) fest mit einer Hand und den Behälter mit der anderen Hand.
- Drücken und halten Sie die EIN-/AUS-Taste (1) gedrückt - das Gerät wird ununterbrochen arbeiten.
- Bewegen Sie das Gerät langsam nach oben und nach unten, um die Zutaten gleichmäßig zu mixen.
- Nehmen Sie nicht den Mixstab aus dem Behälter heraus, wenn das Gerät arbeitet, um das Verspritzen der Mischung zu vermeiden.
- Wählen Sie die Geschwindigkeit durch drücken des Knopfes + (2) oder - (3) (Geschwindigkeit 1 bis 6) während des Betriebs. Im LCD-Display (4) wird die gewählte Drehzahl angezeigt.

Hinweis: Beim Wählen der Drehzahl, ist es nicht notwendig, die EIN-/AUS-Taste (1) gleichzeitig zu drücken.

- Geben Sie die EIN-/AUS-Taste (1) nach Beendigung des Betriebs frei, das Gerät schaltet sich aus.
- Es ist abzuwarten, bis die Klinge (8) stoppt. Anschließend ist das Gerät von der Stromversorgung zu trennen, indem man den Stecker aus der Steckdose nimmt.
- Drehen Sie jetzt das Gehäuse (10) im Uhrzeigersinn, um den Mischstab (7) abzutrennen, um ihn zu waschen.

Hinweis:

1. Drücken und halten Sie gedrückt die Taste zur Erhöhung „+“ (2) oder Verringerung „-“ (3) der Werte, um die gewünschten Werte schnell einzustellen.
2. Die voreingestellte Drehzahl der Schneidmesser ist der Wert „3“.



Reinigung und Wartung

Hinweis: Vor Beginn der Reinigung und dem Abtrennen des Mischstabes (7) muss man immer zuerst das Gerät von der Stromversorgungssteckdose trennen und abwarten, bis es völlig abgekühlt ist.

Reinigung

- Entfernen Sie alle nicht benötigten Elemente, die sich in der Nähe der Klinge befinden.
 - Der Mischstab ist mit seinem Endstück in ein entsprechendes Gefäß zu bringen, das mit reinem Wasser gefüllt ist, und dann für einige Sekunden einzuschalten. Der Mischstab darf niemals in Wasser oder in eine andere Flüssigkeit oberhalb des gekennzeichneten maximalen Niveaus eingetaucht werden.
 - Weder den Motor noch den Griff darf man in Wasser eintauchen – diese Teile sind mit einem feuchten Lappen oder Schwamm zu reinigen.
- WARNUNG:** Nach dem Abwaschen sind die Klingen genau zu trocknen, um kein Rosten zuzulassen.

Man empfiehlt die folgende Reinigungsweise des Geräts:

Teile	Reinigung	Frequenz
Haupteinheit (mit Motor) (10)	<ul style="list-style-type: none">• Tauchen Sie nie die Teile in Wasser und andere Flüssigkeiten ein.• Reinigen Sie Haupteinheit mit einem feuchten Tuch mit einem Reinigungsmittel, desinfizieren und lassen Sie sie gut austrocknen.	Waschen Sie diese nach jedem Gebrauch.
Mischstab (7)	<ul style="list-style-type: none">• Er ist mit Wasser und der Zugabe eines milden Reinigungsmittels zu waschen. Der abgenommene Mischstab (7) darf niemals oberhalb des gekennzeichneten maximalen Niveaus eingetaucht werden.• Lassen Sie alle Teile vor ihrer Wiederverwendung gut austrocknen.	
Klinge (8)	<ul style="list-style-type: none">• Warnung! Es besteht die Verletzungsgefahr! Seien Sie besonders vorsichtig, wenn Sie die Schneidmesser (8) reinigen.• Waschen Sie die Schneidmesser mit Warmwasser und einem milden Reinigungsmittel.• Lassen Sie die Schneidmesser nach ihrem Reinigen gut austrocknen.	

Lagerung

- Bevor das Gerät am Lagerort abgestellt wird, muss man sich sicherstellen, dass das Gerät vom Strom getrennt wurde und völlig abgekühlt ist.
- Lagern Sie das Gerät an einem kühlen, sauberen Ort außerhalb der Reichweite von Kindern.

Fehlerbeseitigung

Wenn das Gerät nicht richtig funktioniert, muss man sich zum Finden der richtigen Lösung mit der nachfolgenden Tabelle vertraut machen. Wenn Sie

das Problem nicht lösen können, dann setzen Sie sich bitte mit dem Lieferanten in Verbindung.


Problem	Mögliche Ursache	Mögliche Lösung
Das Gerät schaltet sich nicht ein.	Der Stecker ist an die Stromquelle nicht richtig angeschlossen.	Überprüfen Sie, ob der Stecker an die entsprechende Steckdose richtig angeschlossen ist.
	Die EIN-/AUS-Taste (1) wurde nicht eingeschaltet.	Um das Gerät in Betrieb zu setzen, drücken und halten Sie die EIN-/AUS-Taste (1) gedrückt.
Beim Mixen der Lebensmittel erzeugt das Gerät ein nicht standardmäßiges Geräusch.	Der Mischstab (7) wurde nicht richtig angeschlossen.	Abtrennen und erneutes Anschließen des Mischstabes (7).
Das Gerät funktioniert nicht.	Die eingebaute Sicherung vor dem Überhitzen wurde aktiviert.	Lassen Sie das Gerät abkühlen, bevor Sie es wieder in Betrieb setzen.
Es kam zum Überhitzen des Gerätes.	Zu lange Betriebszeit des Gerätes.	Freigabe der Taste ON/OFF und Abtrennen des Gerätes von der Stromversorgung; 10 Minuten abwarten, bis der Motor abgekühlt ist.

Technische Spezifikation

Bestellnummer: 222157

Betriebsspannung und Frequenz: 230V~ / 50Hz

Nennleistungsaufnahme: 250W

Schutzklasse: Klasse II 

Wasserbeständigkeitsklasse: IP23

Abmessungen: ca. 71 x 71 x (Höhe) 444 mm

Nettogewicht: ca. 1,6kg

Drehzahl (Dreh./Min.): ca. 6,600 bis 13,500

Lärmpegel: < 85dB(A)

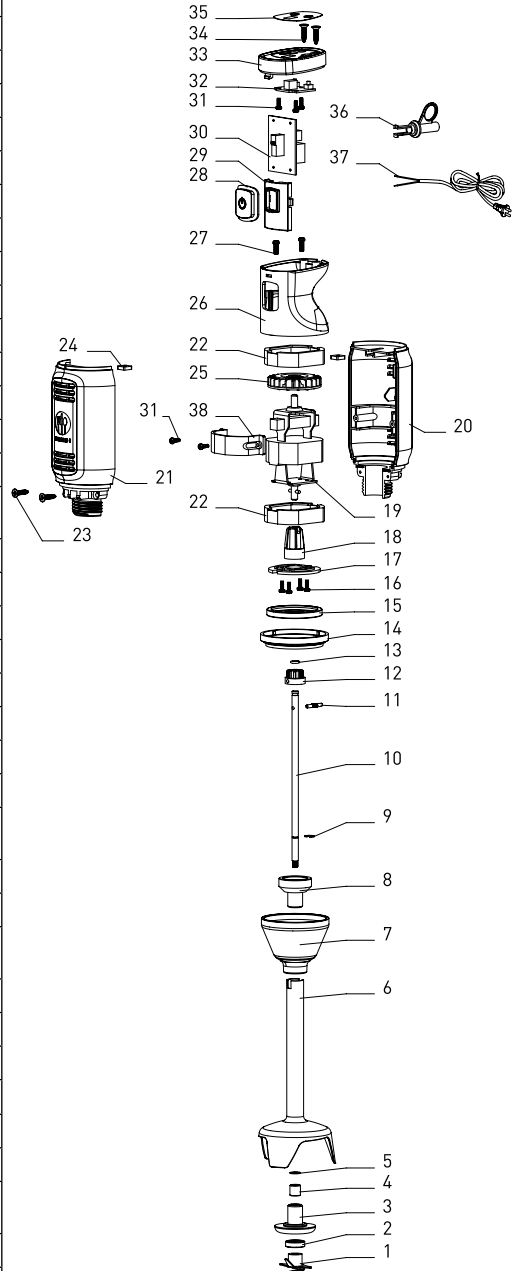
DE

Hinweis: Die technische Spezifikation kann ohne Vorankündigung verändert werden.



Teilverzeichnis für das Modell 222157

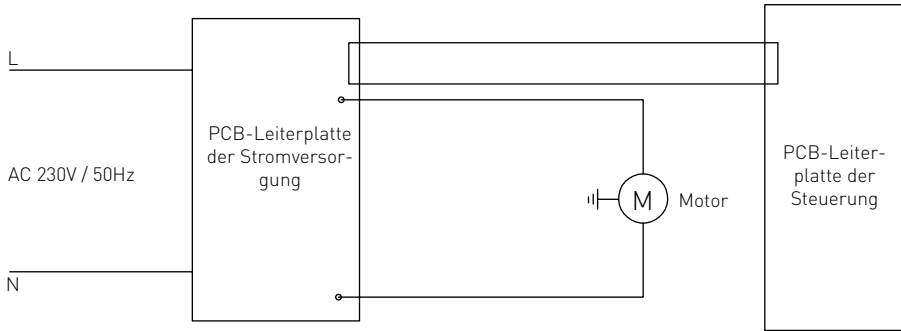
Nummer des Teiles	Bezeichnung des Teiles	Anzahl
1	Titan-Klingenbaugruppe	1
2	Dichtring der Messerwelle	1
3	Fixierbuchse	1
4	Lager	1
5	Stahlring	1
6	Welle	1
7	Kopf der Welle	1
8	Montageschachtabdeckung	1
9	E-förmiger Ring	1
10	Messerwelle	1
11	Klingenwellenstift	1
12	Keilwelle	1
13	Vibrationsdämpfender Dichtring	1
14	Beschichteter Ring	1
15	Vibrationsdämpfender Ring für den Motor	1
16	Schraube für Motor	4
17	Motorbefestigungsplatte	1
18	Keilbuchse	1
19	Motor	1
20	Rechtes Gehäuse	1
21	Linkes Gehäuse	1
22	Motorabsorbierende Abdeckung	2
23	Motorbefestigungsschrauben	2
24	Rechte und linke Gehäusemontagemutter	2
25	Motorlüfter	1
26	Oberes Gehäuse	1
27	Universelle Befestigungsschraube für Gehäuse	2
28	Gummierte Ein/Aus-Taste	1
29	Mit Knöpfen befestigter Rahmen	1
30	Netzplatine	1
31	Befestigungsschrauben	5
32	Schalttafel	1
33	Obere Abdeckung	1
34	Befestigungsschraube für das obere Gehäuse	2
35	Kontrollaufkleber	1
36	Zugentlastung	1
37	Netzkabel mit Stecker	1
38	Motorbefestigungsrahmen	1



DE



Elektroschema



Garantie

Alle innerhalb von einem Jahr nach dem Kaufdatum festgestellten Defekte oder Mängel, die die Funktionalität des Gerätes beeinträchtigen, werden auf dem Wege der unentgeltlichen Reparatur bzw. des Austausches unter der Voraussetzung beseitigt, dass das Gerät in einer der Bedienungsanleitung gemäßen Art und Weise betrieben und gewartet wird und weder vorsätzlich vernichtet noch nicht bestimmungsgemäß genutzt wurde. Ihre Rechte aus den entsprechenden Gesetzen

bleiben davon unberührt. Eine in der Garantiefrist einzureichende Beanstandung hat die Angabe des Kaufortes und Kaufdatums und in der Anlage einen Kaufbeleg (z.B. Kassenzettel) zu enthalten.

Gemäß unserer Politik der ständigen Weiterentwicklung unserer Produkte behalten wir uns vor, Änderungen am Produkt, an seiner Verpackung und an den dokumentierten technischen Daten ohne vorherige Ankündigung vorzunehmen.

DE

Entsorgung und Umweltschutz

Wird das Gerät außer Betrieb genommen, darf es nicht über den Hausmüll entsorgt werden. Der Benutzer ist für die Übergabe des Gerätes an eine geeignete Sammelstelle für Altgeräte verantwortlich. Die Nichteinhaltung dieser Regel kann gemäß den geltenden Vorschriften über die Abfallentsorgung bestraft werden. Die getrennte Sammlung und das Recycling der Altgeräte trägt zur Schonung der natürlichen Ressourcen bei und sorgt für eine

umwelt- und gesundheitsschonende Verwertungsweise.

Weitere Informationen darüber, wo Sie Ihre Altgeräte entsorgen können, erhalten Sie bei Ihrem örtlichen Entsorgungsunternehmen. Der Hersteller und der Importeur übernehmen keine Verantwortung für das Recycling sowie die umweltfreundliche Verwertung von Abfällen, weder direkt noch über ein öffentliches System.



Geachte klant,

Bedankt voor de aanschaf van dit Hendi apparaat. Lees deze handleiding zorgvuldig door, met bijzondere aandacht voor de onderstaande veiligheidsvoorschriften, voordat u dit apparaat voor de eerste keer installeert en gebruikt.

Veiligheidsvoorschriften


- Dit apparaat bedoeld voor commerciële doeleinde.
- Gebruik het apparaat alleen voor het beoogde doel waarvoor het is ontworpen, zoals beschreven in deze handleiding.
- De fabrikant is niet aansprakelijk voor enige schade veroorzaakt door onjuist gebruik en onjuist gebruik.
- Houd het apparaat en de stekker uit de buurt van water en andere vloeistoffen. Als het apparaat in water valt, haal dan onmiddellijk de stekker uit het stopcontact. Gebruik het apparaat niet totdat het is gecontroleerd door een gecertificeerde technicus. Het niet volgen van deze instructies zal levensbedreigende risico's veroorzaken.
- Probeer nooit de behuizing van het apparaat zelf te openen.
- Plaats geen objecten in de behuizing van het apparaat.
- Raak de stekker niet aan met natte of vochtige handen.
- ⚡ **Gevaar voor een elektrische schok!** Probeer het apparaat niet zelf te repareren, reparaties mogen alleen worden uitgevoerd door gekwalificeerd personeel.
- **Gebruik nooit een beschadigd apparaat!** Wanneer het apparaat beschadigd is, koppelt u het apparaat los van het stopcontact en neemt u contact op met de detailhandelaar.
- **Waarschuwing!** Dompel de elektrische onderdelen van het apparaat niet onder in water of andere vloeistoffen.
- Houd het apparaat nooit onder stromend water.
- Controleer regelmatig de stekker en het snoer op eventuele schade. Bij beschadiging moet het worden vervangen door een serviceagent of een gelijkwaardig gekwalificeerd persoon om gevaar of letsel te voorkomen.
- Zorg ervoor dat het snoer niet in contact komt met scherpe of hete voorwerpen en houd het uit de buurt van open vuur. Trek nooit aan het netsnoer om het uit het stopcontact te halen, trek altijd aan de stekker.
- Zorg ervoor dat het netsnoer en/of het verlengsnoer geen struikelgevaar veroorzaken.
- Laat het apparaat nooit onbeheerd achter tijdens het gebruik.
- **Waarschuwing!** Zolang de stekker in het stopcontact zit, is het apparaat aangesloten op de stroombron.
- Schakel het toestel uit voordat u het uit het stopcontact haalt.
- Sluit de stekker aan op een gemakkelijk toegankelijk stopcontact, zodat het apparaat in geval van nood onmiddellijk kan worden losgekoppeld.
- Draag het apparaat nooit bij het snoer.
- Gebruik geen extra apparaten die niet samen met het apparaat worden geleverd.

- Sluit het apparaat alleen aan op een stopcontact met de spanning en frequentie vermeld op het etiket van het apparaat.
- Gebruik nooit andere accessoires dan die welke door de fabrikant worden aanbevolen. Als u dit niet doet, kan dit een veiligheidsrisico vormen voor de gebruiker en kan het apparaat beschadigen. Gebruik alleen originele onderdelen en accessoires.
- Dit apparaat mag niet worden gebruikt door personen met verminderde fysieke, zintuiglijke of mentale vermogens, of personen met een gebrek aan ervaring en kennis.
- Dit apparaat mag in geen geval door kinderen worden gebruikt.
- Houd het apparaat en het netsnoer buiten het bereik van kinderen.
- **WAARSCHUWING:** schakel het apparaat ALTIJD uit en haal de stekker uit het stopcontact voor reiniging, onderhoud of opslag.

Bijzondere veiligheidsvoorschriften

- Gebruik het apparaat alleen zoals beschreven in deze handleiding. Alleen voor gebruik binnenshuis.
- Dit apparaat moet worden gebruikt en geïnstalleerd door gespecialiseerd en getraind personeel in keukens van cateringbedrijven, restaurants, bars, etc.
- Alle onderhouds-, installatie- en reparatiewerkzaamheden moeten worden uitgevoerd door gespecialiseerde en getrainde technici.
- Houd het apparaat uit de buurt van hete oppervlakken en open vuur. Gebruik het apparaat altijd op een vlakke, stabiele, schone, hittebestendige en droge ondergrond.
- Draag tijdens gebruik indien nodig beschermende kleding, een masker of veiligheidsbril.
- Dit apparaat is niet bedoeld om gebruikt te worden in combinatie met een externe timer of een apart afstandsbedieningssysteem.
- **WAARSCHUWING:** Houd alle ventilatieopeningen op het apparaat vrij.
- **WAARSCHUWING:** Houd uw handen en keukengerei tijdens gebruik uit de container om het risico op ernstig lichamelijk letsel en / of schade aan de blender te beperken.
- Laat minimaal 20 cm ruimte vrij rond het apparaat om gevaar te voorkomen.
- **Let op!** Plaats het netsnoer indien nodig op een veilige manier om te voorkomen dat het netsnoer in contact kan komen met het bewegende mes en dat er per ongeluk aan het netsnoer kan worden getrokken.
- Dompel de schacht niet onder in water of vloeistof met een hoogte van minder dan 5cm.
- Gebruik het apparaat niet continu om oververhitting van de motor te voorkomen. U mag het apparaat niet langer dan 3 minuten continu gebruiken. Laat het apparaat afkoelen en gebruik het daarna opnieuw.
- Gebruik het apparaat niet buiten de container.
- Raak het mes, de beschermkap en de bewegende onderdelen niet aan. Houd vingers, haren, kleding en keukengerei uit de buurt van de bewegende onderdelen.
- Was het apparaat niet met water of een waterstraal. Wassen met water kan lekkage veroorzaken en het risico op elektrische schokken verhogen. Geen van de onderdelen zijn vaatwasmachinebestendig.




- Om schade aan het netsnoer te voorkomen, mag het niet worden gebogen, samengeknepen of over scherpe randen worden gehangen. Houd het ook uit de buurt van hete oppervlakken en open vuur. Laat de draaiende messen niet in contact komen met het netsnoer.
- Zorg ervoor dat het netsnoer zodanig is geplaatst, dat er niet per ongeluk aan kan worden getrokken of over kan worden gestruikeld.
- Niet reinigen of opbergen tenzij het apparaat volledig is afgekoeld.
- **Gevaar voor letsel!** Wees voorzichtig bij de omgang met de scherpe snijmessen tijdens het reinigen.
-  Dit apparaat is geclassificeerd als beschermingsklasse II.

Bedoeld gebruik

- Het apparaat is bestemd voor professioneel gebruik.
 - Dit apparaat is enkel bedoeld voor snijden, pletten, mixen en pureren van geschikte zachte ingrediënten in een container. Elk ander gebruik kan leiden tot schade aan het apparaat of lichamelijk letsel.
- Gebruik van het apparaat voor andere doeleinden wordt beschouwd als verkeerd gebruik van het apparaat. De gebruiker is volledig aansprakelijk voor alle risico's die voortvloeien uit verkeerd gebruik van het apparaat.

Belangrijkste onderdelen van het apparaat

1. AAN/UIT-knop : Houd ingedrukt voor continu gebruik; Laat de knop los om gebruik te stoppen
2. Verhoog snelheidsinstelling + :
Verhoog snelheid tussen 1 en 6
3. Verlaag snelheidsinstelling - :
Verlaag snelheid tussen 1 en 6
4. LCD-display: Voor weergave snelheidsinstelling
5. Handgreep
6. Ventilatieopeningen
7. Afneembaar mengdeel
8. Mes
9. Beschermkap
10. Hoofdapparaat met motor



Vorbereidingen voor gebruik

- Verwijder alle beschermende materialen en verpakkingsmaterialen.
 - Controleer het apparaat op volledigheid en eventuele transportschade. Neem in geval van schade of een onvollledige levering onmiddellijk contact op met de leverancier. Gebruik het apparaat NIET. (Zie ==> Garantie).
- Reinig het apparaat voor gebruik (Zie ==> Reiniging en onderhoud).
 - Zorg ervoor dat het apparaat volledig droog is.
 - Bereid de voedingsingrediënten die u wilt verwerken voor.

Voor gebruik

- Lees deze handleiding volledig en zorgvuldig door alvorens het apparaat te gebruiken.
- Zorg ervoor dat het apparaat wordt geplaatst in een droge omgeving zonder obstakels die het gebruik kunnen bemoeilijken.
- Zorg ervoor dat de specificaties van de stroomvoorziening overeenkomen met de gegevens op het typeplaatje op het apparaat.
- Zorg ervoor dat het mengdeel (7) stevig is geïnstalleerd op het hoofddoelapparaat met motor (10).

Vervoer

- Verplaats het apparaat niet tijdens gebruik. Trek de stekker uit het stopcontact als u het apparaat wilt verplaatsen naar een andere plek.
- Houd het apparaat vast bij de handgreep als u het apparaat verplaatst.

Bediening

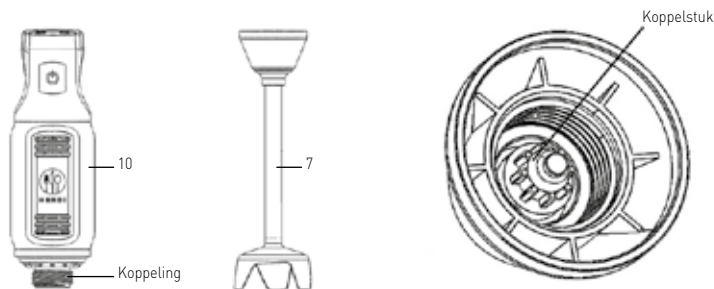
U moet het volgende veiligheidsadvies te allen tijde naleven!

- Zorg er altijd voor dat het apparaat is losgekoppeld van de voeding voordat u het mengdeel (7) monteert.
- Plaats uw handen nooit in de voedselcontainer (niet meegeleverd). Gebruik altijd houten of plastic spatels en alleen als het apparaat niet in gebruik is.
- Gebruik het apparaat niet met een lege container of met harde voedingsmiddelen, hete vloeistoffen, zwaar deeg, etc. om oververhitting te voorkomen.
- **WAARSCHUWING!** Trek de stekker van het apparaat direct na gebruik uit het stopcontact.

Montage / Demontage van hulpstukken

De montage-/demontagehandelingen van elk onderdeel van het apparaat mogen alleen worden uitgevoerd als het apparaat is gestopt en losgekoppeld van het lichtnet.

Hoofddeel (10) en mixerstaaf (7):



Demontage:

1. Houd het hoofddeel (10) vast en schroef de mixerstaaf (7) met de klok mee los totdat het volledig ontkoppeld is.

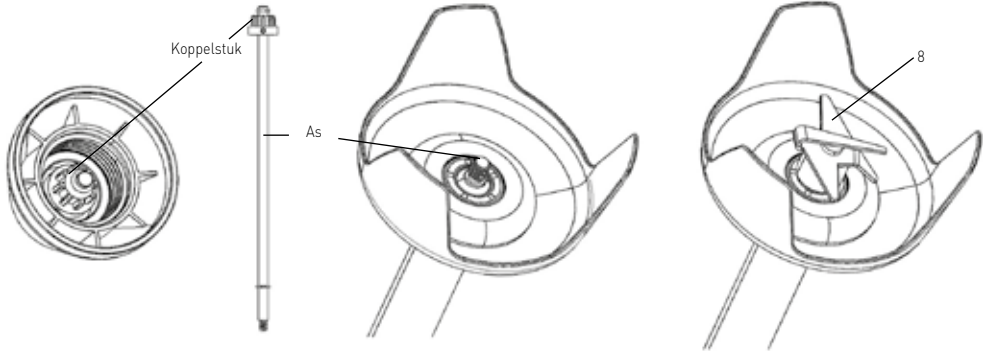
Montage:

1. Lijn het koppelstuk van de mixerstaaf (7) uit met de koppeling van het hoofddeel (10).
2. Schroef de mixerstaaf tegen de klok in vast totdat deze stevig zit.



Mixerstaaf (7) en mes (8):

LET OP! Draag voor het vervangen van het mes a.u.b. beschermende handschoenen (niet inbegrepen).



Demontage:

1. Houd het koppelstuk van de mixerstaaf (7) vast en schroef het mes (8) tegen de klok in tot het mes los komt.
2. Houd de mixerstaaf vast en trek de as er uit.

Montage:

1. Breng de as in de mixerstaaf (7) tot de as op zijn plaats zit.
2. Houd het koppelstuk van de mixerstaaf (7) vast en schroef het mes met de klok mee tot het mes stevig zit.

Geschikt voor	<ul style="list-style-type: none">• Mengen van sappen en shakes• Mengen van zachte ingrediënten (bijv. pannenkoekbeslag of mayonaise).• Mengen van groenten in soep (bijv. wortels, etc.)
Vorbereiding	<ul style="list-style-type: none">• Schil voedsel en snijd het in kleine stukjes.• Plaats het voedsel in een geschikte container met een capaciteit van 1~4 liter.
Maximale continue bedrijfstijd	3 minuten om te voorkomen dat de motor oververhit raakt. Bedien het apparaat pas weer nadat het is afgekoeld.

- Zodra de stekker in het stopcontact zit, wordt "3" getoond op het LCD-display (4).
- Laat het mengdeel (7) zakken in de voedselcontainer (niet meegeleverd). Dompel het mes (8) volledig onder in de ingrediënten voordat u het apparaat start.
LET OP: Zorg ervoor dat u het mengdeel (7) maximaal tot aan de **Max.**-markering onderdompelt.
- Gebruik één hand om het hoofdapparaat (10) stevig vast te houden en houd de voedselcontainer met de andere hand vast.
- Houd de AAN / UIT-knop (1) ingedrukt, het apparaat begint continu te blenden.
- Beweeg het apparaat zachtjes omhoog en omlaag om de voedsel ingrediënten soepel te mengen.

- Til het apparaat tijdens gebruik niet uit de ingrediënten om het spatten van voedsel te voorkomen.
 - Selecteer de draaisnelheid door tijdens gebruik te drukken op + (2) of - (3) (instelbaar van 1 tot 6). De messnelheid wordt getoond op het LCD-display (4).
- Opmerking: U hoeft niet op de AAN/UIT-knop (1) te drukken als u tegelijkertijd de messnelheid selecteert.
- Druk, nadat u klaar bent met mengen, op de AAN/UIT-knop (1) om het apparaat uit te schakelen.
 - Wacht tot het mes (8) volledig tot stilstand is gekomen. Trek de stekker daarna uit het stopcontact.
 - Draai het hoofdapparaat (10) met de klok mee om het mengdeel (7) te demonteren voor reiniging.

Opmerking:

1. Houd de knop voor het verlagen of verhogen van de snelheid, + (2) of - (3), ingedrukt om de snelheid snel in te stellen.

2. De standaard messnelheid, die geselecteerd wordt als u de stekker in het stopcontact steekt, is "3".

Reiniging en onderhoud

Attentie: Trek de stekker van het apparaat altijd uit het stopcontact en laat het apparaat volledig afkoelen alvorens het te reinigen en het mengdeel (7) te demonteren.

Reiniging

- Verwijder alle obstakels in de buurt van het mes.
 - Plaats de mengarm en het mengelement in een geschikte container met schoon water en schakel het apparaat enkele seconden in. Dompel de schacht nooit verder dan de **Max.**-markering onder in water.
 - Dompel de motoreenheid of de handgreep nooit onder in water; reinig met een vochtige doek of een spons.
- WAARSCHUWING:** Always dry the blades thoroughly after cleaning to avoid rust spotting.

Aanbevolen reinigingsprocedure:

Onderdelen	Hoe te reinigen	Frequentie
Hoofdapparaat met motor (10)	<ul style="list-style-type: none">• Dompel dit onderdeel nooit onder in water of andere vloeistoffen.• Gebruik een vochtige doek met wat reinigingsmiddel en water; spoel, desinfecteer en droog grondig.	Reinig na elk gebruik
Mengdeel (7)	<ul style="list-style-type: none">• Reinig het met warm water en wat mild reinigingsmiddel. Dompel het afneembare mengdeel (7) maximaal tot aan de Max.-markering onder.• Droog alle onderdelen grondig alvorens ze opnieuw te gebruiken.	
Mes (8)	<ul style="list-style-type: none">• Waarschuwing! Gevaar voor letsel! Wees zeer voorzichtig tijdens het reinigen van de messen.• Reinig met warm water en een beetje mild reinigingsmiddel.• Droog grondig na het reinigen.	

Opslag

- Zorg er voordat u het apparaat opbergt altijd voor dat de stekker van het apparaat uit het stopcontact is getrokken en dat het apparaat volledig is afgekoeld.
- Het apparaat moet worden opgeslagen op een schone, koele en droge plek buiten het bereik van kinderen.



Problemen oplossen

Als het apparaat niet naar behoren werkt, raadpleeg dan de onderstaande tabel voor een mogelijke oplossing. Als u het probleem niet zelf kunt

oplossen, neem dan contact op met de leverancier/dienstverlener.


Probleem	Mogelijke oorzaak	Mogelijke oplossing
Apparaat schakelt niet in	Stekker is niet juist aangesloten op een geschikt stopcontact.	Controleer of de stekker juist is aangesloten op een geschikt stopcontact.
	Er is niet op de AAN/UIT-knop (1) gedrukt.	Houd de AAN/UIT-knop (1) ingedrukt om het apparaat in te schakelen.
Rare geluiden tijdens gebruik	Het mengdeel (7) is niet juist gemonteerd.	Demonteer het mengdeel (7) en monteer het opnieuw.
Apparaat werkt niet	De interne oververhittingsbeveiliging is geactiveerd.	Laat het apparaat volledig afkoelen alvorens het opnieuw te gebruiken.
Apparaat is oververhit	Apparaat is te lang gebruikt	Laat de AAN/UIT-knop los en trek de stekker uit het stopcontact. Wacht 10 minuten totdat de motor is afgekoeld.

Technische specificaties

Itemnr.: 222157

Bedrijfsspanning en frequentie: 230V~ / 50Hz

Nominaal ingangsvermogen: 250W

Beschermingsklasse: Klasse II 

Beschermingsklasse waterdichtheid: IP23

Afmetingen: ca. 71 x 71 x (H) 444 mm

Nettogewicht: ca. 1,6kg

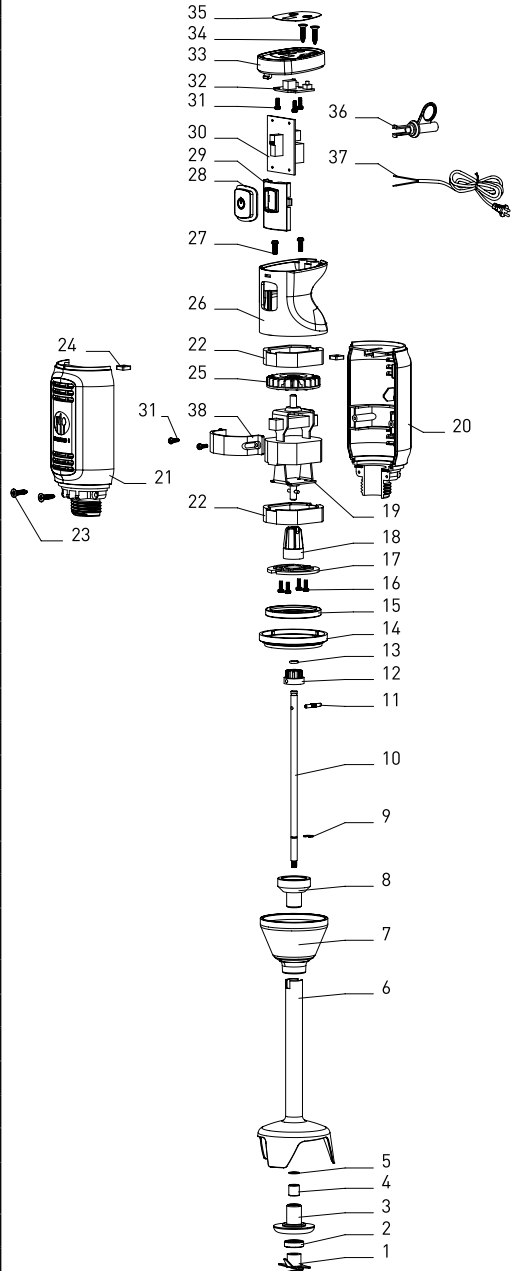
Omwentelingsnelheid (tpm): ca. 6,600 to 13,500

Geluidsniveau: < 85dB(A)

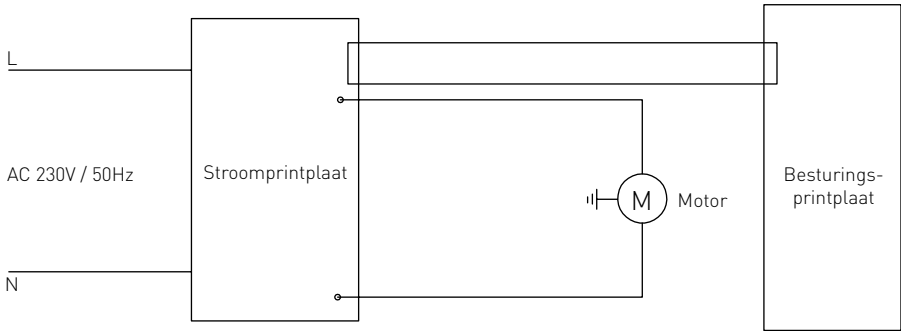
Opmerking: Technische specificaties onderhevig aan veranderingen zonder voorafgaande kennisgeving.

Onderdelenlijst voor 222157

Onderdeel nr.	Naam onderdeel	Aantal
1	Titanium messenassemblage	1
2	Verzegelingsring van messenas	1
3	Bevestigingsbus	1
4	Lager	1
5	Stalen ring	1
6	As	1
7	Kop van as	1
8	Cover voor montage-as	1
9	E-vormige ring	1
10	Messenas	1
11	Bladaspen	1
12	Spieas	1
13	Anti-trillingsafdichtingsring	1
14	Gecoate ring	1
15	Anti-trillingsring voor motor	1
16	Schroef voor motor	4
17	Motorbevestigingsplaat	1
18	Spiekous	1
19	Motor	1
20	Rechter behuizing	1
21	Linker behuizing	1
22	Motorabsorberende afdekking	2
23	Schroeven voor motormontage	2
24	Bevestigingsmoer voor linker en rechter behuizingsdeel	2
25	Motorventilator	1
26	Bovenbehuizing	1
27	Bevestigingsschroef voor alle behuizingsdelen	2
28	Aan-/Uit-toetsrubber	1
29	Knophouder	1
30	Voedingskaart	1
31	Montageschroeven	5
32	Bedieningspaneel	1
33	Bovenafdekking	1
34	Bevestigingsschroef voor bovenste behuizingsdeel	2
35	Controlesticker	1
36	Trekcontlasting	1
37	Netsnoer met stekker	1
38	Motorhouder	1



Schakelschema



Garantie

Elk defect waardoor de werking van het apparaat nadelig wordt beïnvloed dat zich binnen één jaar na aankoop van het apparaat voordoet, wordt gratis hersteld door reparatie of vervanging, mits het apparaat conform de instructies is gebruikt en onderhouden en niet op enigerlei wijze verkeerd is behandeld of misbruikt. Dit laat onverlet uw bij wet bepaalde rechten. Als de garantie van kracht is, vermeld dan waar en wanneer u het apparaat

hebt gekocht en sluit een aankoopbewijs bij (bijv. kassabon of factuur).

Gezien ons streven naar voortdurende verdere productontwikkeling behouden wij ons het recht voor, zonder voorafgaande kennisgeving wijzigingen aan te brengen aan product, verpakking en documentatie.

NL

Verwijdering & milieu

Bij de buitengebruikstelling van het apparaat, mag het niet met het overige huisafval worden verwijderd. In plaats daarvan is het uw verantwoordelijkheid om uw afgedankte apparatuur in te leveren bij een daartoe aangewezen inzamelpunt. Het niet opvolgen van deze regel kan worden bestraft in overeenstemming met de geldende voorschriften voor afvalverwerking. De gescheiden inzameling en recycling van uw afgedankte apparatuur ten tijde van buitengebruikstelling helpt bij de instand-

houding van natuurlijke hulpbronnen en waarborgt dat de apparatuur wordt gerecycled op een manier die de volksgezondheid en het milieu beschermt. Voor meer informatie over waar u uw afval kunt inleveren voor recycling kunt u contact opnemen met uw lokale afvalverwerkingsbedrijf. De fabrikant en importeurs nemen geen verantwoordelijkheid voor de recycling, behandeling en ecologische verwijdering, hetzij rechtstreeks of via een openbaar systeem.



Drogi Kliencie,

Dziękujemy za zakup tego urządzenia Hendi. Przeczytaj uważnie tę instrukcję, zwracając szczególną uwagę na przepisy bezpieczeństwa przedstawione poniżej, przed zainstalowaniem i używaniem tego urządzenia po raz pierwszy.

Przepisy bezpieczeństwa

- Niniejsze urządzenie przeznaczone jest do użytku komercyjnego.
- Urządzenie należy używać wyłącznie zgodnie z przeznaczeniem, do którego zostało zaprojektowane zgodnie z opisem w niniejszej instrukcji.
- Producent nie ponosi odpowiedzialności za jakiegokolwiek szkody spowodowane nieprawidłowym działaniem i niewłaściwym użyciem.
- Przechowywać urządzenie i wtyczkę elektryczną z dala od wody i innych płynów. W przypadku, gdy urządzenie wpadnie do wody, natychmiast wyjmij wtyczkę zasilającą z gniazda. Nie używać urządzenia, dopóki nie zostanie sprawdzone przez certyfikowanego technika. Nieprzestrzeganie tych instrukcji spowoduje zagrożenie dla życia.
- Nigdy nie próbuj samodzielnie otwierać obudowy urządzenia.
- Nie wkładaj przedmiotów do obudowy urządzenia.
- Nie dotykać wtyczki mokrymi lub wilgotnymi dłońmi.
- ⚠ **Niebezpieczeństwo porażenia prądem!** Nie próbuj samodzielnie naprawiać urządzenia, naprawy mogą być wykonywane wyłącznie przez wykwalifikowany personel..
- **Nigdy nie używaj uszkodzonego urządzenia!** Po uszkodzeniu odłącz urządzenie od gniazda i skontaktuj się ze sprzedawcą.
- **Ostrzeżenie!** Nie zanurzaj części elektrycznych urządzenia w wodzie lub innych płynach.
- Nigdy nie trzymaj urządzenia pod bieżącą wodą.
- Regularnie sprawdzaj wtyczkę zasilającą i przewód pod kątem uszkodzeń. W przypadku uszkodzenia musi zostać zastąpiony przez agenta serwisowego lub podobnie wykwalifikowaną osobę w celu uniknięcia niebezpieczeństwa lub obrażeń.
- Upewnij się, że przewód nie styka się z ostrymi lub gorącymi przedmiotami i trzymaj go z dala od otwartego ognia. Nigdy nie pociągaj za przewód zasilający, aby odłączyć go od gniazda, zawsze za wtyczkę.
- Upewnij się, że przewód zasilający i/lub przedłużacz nie powodują zagrożenia przejazdem.
- Nigdy nie pozostawiaj urządzenia bez nadzoru podczas użytkowania.
- **Ostrzeżenie!** Dopóki wtyczka znajduje się w gnieździe, urządzenie jest podłączone do źródła zasilania.
- Wyłącz urządzenie przed odłączeniem go od gniazda.
- Podłącz wtyczkę do łatwo dostępnego gniazodka elektrycznego, aby w nagłych wypadkach urządzenie mogło zostać natychmiast odłączone.
- Nigdy nie noś urządzenia za przewód.
- Nie należy używać żadnych dodatkowych urządzeń, które nie są dostarczane razem z urządzeniem.
- Podłącz urządzenie tylko do gniazodka elektrycznego z napięciem i częstotliwością wymienioną na etykiecie urządzenia.

PL




- Nigdy nie używaj akcesoriów innych niż zalecane przez producenta. Niezastosowanie się do tego może stanowić zagrożenie dla bezpieczeństwa użytkownika i spowodować uszkodzenie urządzenia. Używaj tylko oryginalnych części i akcesoriów.
- Urządzenie to nie powinno być obsługiwane przez osoby o ograniczonych możliwościach fizycznych, sensorycznych lub umysłowych, ani osoby, które mają brak doświadczenia i wiedzy.
- Urządzenie to w żadnym wypadku nie powinno być używane przez dzieci.
- Przechowywać urządzenie i jego przewód zasilający w miejscu niedostępnym dla dzieci.
- **OSTRZEŻENIE:** ZAWSZE wyłączyć urządzenie i odłączyć od gniazdka elektrycznego przed czyszczeniem, konserwacją lub przechowywaniem.

Specjalne przepisy bezpieczeństwa

- Korzystaj z urządzenia wyłącznie zgodnie z instrukcją. Wyłącznie do użytku wewnętrznego.
- Urządzenie powinno zostać zamontowane i być obsługiwane wyłącznie przez wykwalifikowany personel kuchenny w punktach gastronomicznych, np. świadczących usługi cateringowe, w restauracjach, barach, itp.
- Wszelkie czynności konserwacyjne i montażowe oraz naprawa urządzenia powinny zostać przeprowadzane przez wykwalifikowanych, upoważnionych techników.
- Przechowuj z dala od gorących powierzchni i otwartego ognia. Ustaw urządzenie na równej, stabilnej, czystej i suchej powierzchni, odpornej na działanie wysokich temperatur.
- Jeśli to konieczne, podczas obsługi urządzenia stosuj odzież ochronną, maskę lub okulary ochronne.
- Urządzenie nie jest przystosowane do obsługi za pomocą zewnętrznego minutnika lub oddzielnego systemu zdalnego sterowania.
- **OSTRZEŻENIE:** Nie zastanawiaj otworów wentylacyjnych urządzenia.
- **OSTRZEŻENIE:** Podczas pracy urządzenia pamiętaj, by nie wkładać do pojemnika dłoni ani przyborów kuchennych, tym samym zmniejszając ryzyko poważnych obrażeń ciała i/ lub uszkodzenia blendera.
- W celu uniknięcia ryzyka, zapewnij co najmniej 20-centymetrową przestrzeń wokół urządzenia.
- **Uwaga!** Odpowiednio poprowadź i zabezpiecz przewód zasilający, aby zapobiec przypadkowemu pociągnięciu lub kontaktowi z obracającym się nożem.
- Nie zanurzaj ramienia w pojemniku z wodą lub innym płynem, jeśli jego poziom nie przekracza 5 cm.
- Nie korzystaj z urządzenia przez długi czas, aby uniknąć przegrzania silnika. Urządzenie nie powinno pracować nieprzerwanie dłużej niż 3 minut. Urządzenie nadaje się ponownie do użycia po wystygnięciu.
- Nie korzystaj z urządzenia, jeśli ramię nie zostało umieszczone w pojemniku.
- Podczas pracy urządzenia nie dotykaj ostrza ani innych części ruchomych. Podczas pracy urządzenia nie dotykaj elementów ruchomych rękoma ani przyrządami kuchennymi; zwiąż włosy.
- Nie myj urządzenia wodą lub za pomocą silnego strumienia. Mycie urządzenia wodą może


spowodować przedostanie się jej do części elektrycznych i doprowadzić do porażenia prądem. Części urządzenia nie mogą być myte w zmywarce.

- Aby uniknąć uszkodzenia przewodu zasilającego, nie ściskaj, nie zginaj ani nie przewieszaj przez ostre krawędzie. Trzymaj przewód zasilający z dala od gorących powierzchni i otwartego płomienia. Nie zbliżaj obracających się noży urządzenia do przewodu zasilającego.
- Przeprowadź przewód zasilający tak, aby zapobiec przypadkowemu pociągnięciu lub potknięciu się o kabel.
- Nie czyść ani nie umieszczaj urządzenia w miejscu przechowywania, zanim całkowicie nie ostygnie.
- **Niebezpieczeństwo skałceń!** Zachowaj ostrożność podczas demontażu ostrych noży oraz podczas czyszczenia.
-  Blender jest urządzeniem II klasy ochronności.

Przeznaczenie

- Urządzenie przeznaczone jest do zastosowania profesjonalnego.
- To urządzenie jest przeznaczone wyłącznie do kruszenia, mieszania, rozdrabniania, blendowania żywności o odpowiedniej miękkości w pojemniku. Użycie urządzenia w jakimkolwiek innym celu może prowadzić do jego uszkodzenia bądź obrażeń ciała.
- Wykorzystanie urządzenia w jakimkolwiek innym celu uznane będzie za wykorzystanie niezgodne z przeznaczeniem. Użytkownik będzie wyłącznie odpowiedzialny za nieprawidłowe wykorzystanie urządzenia.

Główne części urządzenia

1. Przycisk ON/OFF : Wciśnij i przytrzymaj, aby urządzenie pracowało w sposób nieprzerwany. Zwolnij przycisk, aby zatrzymać pracę urządzenia.
2. Zwiększenie prędkości obrotów + :
Zwiększ prędkość obrotów - od wartości 1 do 6
3. Zmniejszenie prędkości obrotów - :
Zmniejsz prędkość obrotów - od wartości 1 do 6
4. Wyświetlacz LCD: Wyświetlacz pokazuje aktualną prędkość obrotów
5. Uchwyt
6. Otwory wentylacyjne
7. Zdejmowane ramię mieszające
8. Ostrze
9. Ostona noża
10. Korpus (z silnikiem)



Przygotowania przed pierwszym użyciem

- Zdejmij i usuń opakowanie i zabezpieczenia.
- Sprawdź urządzenie pod kątem kompletności oraz ewentualnych uszkodzeń podczas transportu. W przypadku niekompletnej dostawy lub uszkodzeń, natychmiast skontaktuj się z dostawcą. W przypadku niekompletnej dostawy lub uszkodzeń, NIE korzystaj z urządzenia. (Patrz ==> Gwarancja).
- Wyczyść urządzenie (patrz ==> Czyszczenie i konserwacja).
- Sprawdź, czy urządzenie jest całkowicie suche.
- Przygotowanie składników

Przed użyciem

- Uważnie zapoznaj się z treścią instrukcji przed korzystaniem z urządzenia.
- Upewnij się, czy urządzenie zostało ustawione w suchym miejscu i żadne przedmioty nie utrudniają jego pracy.
- Upewnij się, czy specyfikacja urządzenia na tabliczce znamionowej odpowiada parametrom gniazdka elektrycznego, do którego ma być podłączone urządzenie.
- Upewnij się, czy ramię (7) jest prawidłowo zamontowane na korpusie z silnikiem (10).

Transport

- Nie przenoś urządzenia podczas jego pracy. Przed przeniesieniem urządzenia w inne miejsce zawsze pamiętaj o odłączeniu go od gniazdka elektrycznego.
- Podczas przenoszenia, trzymaj urządzenie za uchwyt.

PL

Obsługa

Zawsze przestrzegaj poniższych instrukcji bezpieczeństwa!

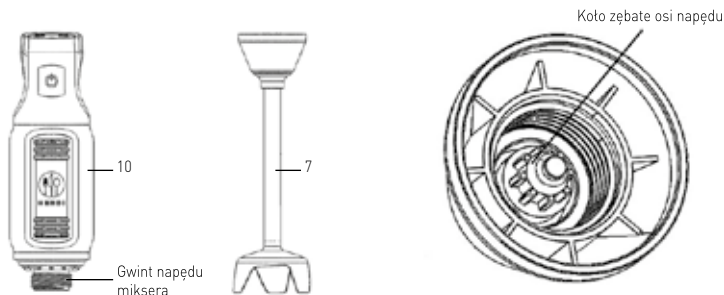
- Zawsze upewnij się, czy urządzenie zostało odłączone od źródła zasilania przed podłączeniem ramienia mieszającego (7) do korpusu.
- Nigdy nie wkładaj rąk do pojemnika na żywność (niedotłączony do urządzenia). Do mieszania zawsze używaj łopatek [drewnianych lub z tworzywa sztucznego]; łopatki stosuj wyłącznie wtedy, gdy urządzenie nie pracuje.
- Nie używaj urządzenia, gdy pojemnik jest pusty ani do miksowania twardych produktów żywnościowych, gorących cieczy, twardego ciasta itp., aby zapobiec przegrzaniu się blendera.
- **OSTRZEŻENIE!** Wyjmij wtyczkę z gniazdka natychmiast po zakończeniu pracy z urządzeniem.



Montaż / demontaż części urządzenia

Montaż / demontaż części urządzenia należy przeprowadzać przy urządzeniu wyłączonym i odłączonym od zasilania.

Napęd miksera (10) oraz element miksujący (7):



Demontaż:

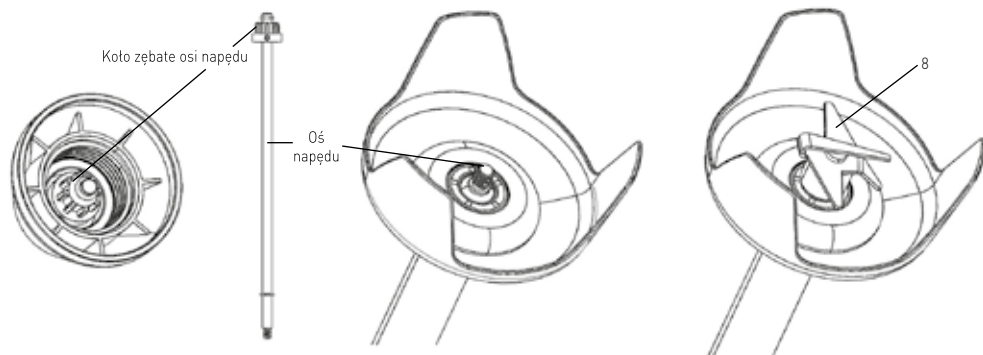
1. Przytrzymaj napęd miksera (10) i wykręć element miksującą (7) zgodnie z ruchem wskazówek zegara, aż do całkowitego rozłączenia.

Montaż:

1. Dopasuj koto zębate napędu elementu miksującego (7) do końcówki z gwintem napędu miksera (10).
2. Wkręć element miksujący (7) w kierunku przeciwnym do ruchu wskazówek zegara, aż do całkowitego dokręcenia.

Element miksujący (7) oraz ostrze (8):

UWAGA! Podczas demontażu należy używać rękawic ochronnych (brak w zestawie).



Demontaż:

1. Przytrzymaj końcówkę elementu miksującego (7) i wykręć ostrze (8) w kierunku przeciwnym do ruchu wskazówek zegara, aż do całkowitego rozłączenia.
2. Przytrzymaj element miksujący (7) i wyciągnij os napędu.

Montaż:

1. Włóż do końca os napędu do elementu miksującego (7).
2. Przytrzymaj koto zębate elementu miksującego (7) i wkręć ostrze zgodnie z ruchem wskazówek zegara, aż do całkowitego dokręcenia.



Urządzenie jest odpowiednie do:	<ul style="list-style-type: none"> • Blendowania soków lub shake'ów. • Miksowania miękkich produktów żywnościowych (np. ciasta na naleśniki lub majonezu). • Miksowania warzyw w celu przygotowania zup (np. zup marchwiowych itp.)
Przygotowanie:	<ul style="list-style-type: none"> • Obierz lub odkrój zbędne elementy produktów żywnościowych; warzywa/owoce pokrój na małe kawałki. • Umieść produkty żywnościowe w odpowiednim pojemniku o pojemności od 1 do 4 litrów.
Maksymalny nieprzerwany czas pracy wynosi	3 minut - dłuższa praca urządzenia może doprowadzić do przegrzania silnika. Włączyć ponownie urządzenie po jego ostygnięciu.

- Po podłączeniu urządzenia do gniazdka elektrycznego na wyświetlaczu LCD [4] pojawi się wartość „3”.
- Umieść ramię mieszające [7] w pojemniku na żywność (niedotączony do urządzenia). Przed uruchomieniem urządzenia zanurz całe ostrze [8] w składnikach umieszczonych w pojemniku. UWAGA: Nigdy nie zanurzaj ramienia mieszającego [7] powyżej oznaczonego poziomu **maksymalnego**.
- Mocno trzymaj korpus [10] urządzenia jedną ręką, drugą przytrzymując pojemnik.
- Naciśnij i przytrzymaj przycisk ON/OFF [1] - urządzenie będzie pracować nieprzerwanie.
- Delikatnie przesuwaj urządzenie do góry i do dołu, aby równomiernie zmiksować składniki.
- Aby zapobiec rozbryzgiwaniu się mieszaniny, nie wyjmuj z niej ramienia blendera, gdy urządzenie pracuje.
- Wybrać prędkość ostrzy naciskając przycisk „+”

- [2] lub „-” [3] podczas pracy urządzenia (zakres prędkości: 1 do 6). Na wyświetlaczu LCD [4] pojawi się wybrana prędkość obrotów. Uwaga: Podczas wybierania prędkości obrotów nie jest konieczne jednoczesne wciskanie przycisku ON/OFF [1].
- Po skończeniu pracy zwolnij przycisk ON/OFF [1], a urządzenie wyłączy się.
- Odczekaj, aż ostrze [8] zatrzyma się. Następnie odłącz urządzenie od źródła zasilania wyjmując wtyczkę z gniazdka.
- Przekręć korpus [10] zgodnie z ruchem wskazówek zegara, aby odłączyć ramię mieszające [7] w celu umycia.

Uwaga:

1. Naciśnij i przytrzymaj przycisk zmniejszania „+” [2] lub zwiększania „-” [3] wartości w celu szybkiego ustawienia żądanych wartości.
2. Domyślną prędkością obrotu noży jest prędkość „3”.

Czyszczenie i konserwacja

Uwaga: Przed rozpoczęciem czyszczenia i odłączeniem ramienia mieszającego [7] zawsze wyłącz urządzenie z gniazdka i odczekaj, aż całkowicie ostygnie.

Czyszczenie

- Usuń wszystkie zbędne elementy znajdujące się w pobliżu ostrza.
- Umieść ramię i końcówkę w odpowiednim naczyniu napełnionym czystą wodą i włącz urządzenie na kilka sekund. Nie zanurzaj ramienia w wodzie ani innym płynie powyżej poziomu maksymalnego.
- Nigdy nie zanurzaj silnika ani uchwytu w wodzie - części te czyść wilgotną ściereczką albo gąbką.

OSTRZEŻENIE: Po umyciu zawsze dokładnie osusz ostrza, aby nie dopuścić do zardzewienia.



Zalecany sposób mycia urządzenia:

Części	Czyszczenie	Częstotliwość
Korpus (z silnikiem) (10)	<ul style="list-style-type: none"> Nigdy nie zanurzaj części w wodzie ani innych płynach. Za pomocą wilgotnej ściereczki ze środkiem myjącym przemysł, zdezynfekuj i dokładnie wysusz korpus. 	Umyj po każdym użyciu.
Ramię mieszające (7)	<ul style="list-style-type: none"> Umyj ciepłą wodą z dodatkiem łagodnego detergentu. Nigdy nie zanurzaj zdejmowanego ramienia mieszającego (7) powyżej oznaczonego poziomu maksymalnego. Dokładnie wysusz wszystkie części przed ponownym użyciem. 	
Ostrze (8)	<ul style="list-style-type: none"> Ostrzeżenie! Niebezpieczeństwo skaleczeń! Zachowaj szczególną ostrożność podczas czyszczenia noży. Umyj przy użyciu ciepłej wody i łagodnego detergentu. Po czyszczeniu, dokładnie osusz. 	

Przechowywanie

- Przed umieszczeniem w miejscu przechowywania, zawsze upewnij się, czy urządzenie zostało wyłączone z gniazdka i całkowicie ostygło.
- Przechowuj urządzenie w chłodnym, czystym i suchym miejscu poza zasięgiem dzieci.

Wyszukiwanie i usuwanie usterek

Jeśli urządzenie nie działa prawidłowo, zapoznaj się z poniższą tabelą w celu znalezienia prawidłowego rozwiązania. Jeśli nie możesz rozwiązać problemu, skontaktuj się z dostawcą

Problem	Możliwa przyczyna	Możliwe rozwiązanie
Urządzenie nie włącza się.	Wtyczka nie jest prawidłowo podłączona do źródła zasilania.	Sprawdź, czy wtyczka jest prawidłowo podłączona do odpowiedniego źródła zasilania.
	Nie wciśnięto przycisku ON/OFF (1).	Aby uruchomić urządzenie, wciśnij i przytrzymaj przycisk ON/OFF (1).
Urządzenie wydaje niestandardowe dźwięki podczas miksowania produktów żywnościowych.	Ramię mieszające (7) nie zostało prawidłowo podłączone.	Odtłącz i ponownie podłącz ramię mieszające (7).
Urządzenie nie działa.	Uruchomiono się wbudowane zabezpieczenie przed przegrzaniem.	Zaczekaj, aż urządzenie ostygnie przed ponownym uruchomieniem.
Doszło do przegrzania urządzenia.	Zbyt długi czas eksploatacji urządzenia	Zwolnij przycisk ON/OFF i odtłącz urządzenie od źródła zasilania; odczekaj 10 minut aż silnik ostygnie.

Specyfikacja techniczna

Numer produktu: 222157

Napięcie robocze i częstotliwość: 230V~ / 50Hz

Znamionowy pobór mocy: 250W

Klasa ochronności: Klasa II 

Klasa wodoodporności: IP23

Wymiary: ok. 71 x 71 x [wys.] 444 mm

Waga netto: ok. 1,6kg

Prędkość obrotowa [obr./min]: ok. 6,600 do 13,500

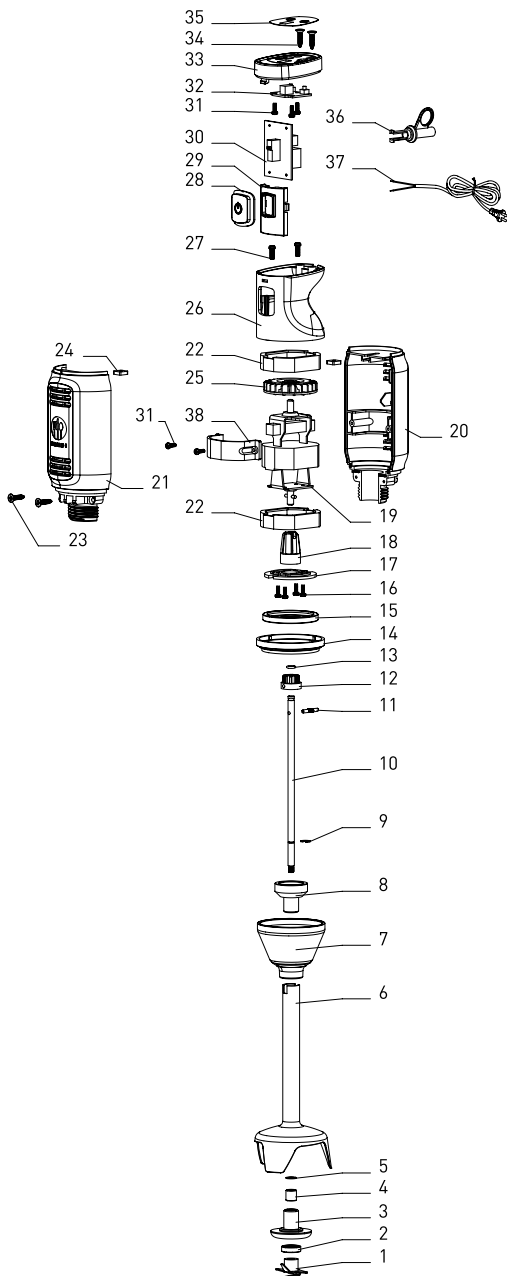
Poziom hałasu: < 85dB(A)

Uwaga: Specyfikacja techniczna może ulec zmianie bez uprzedzenia.

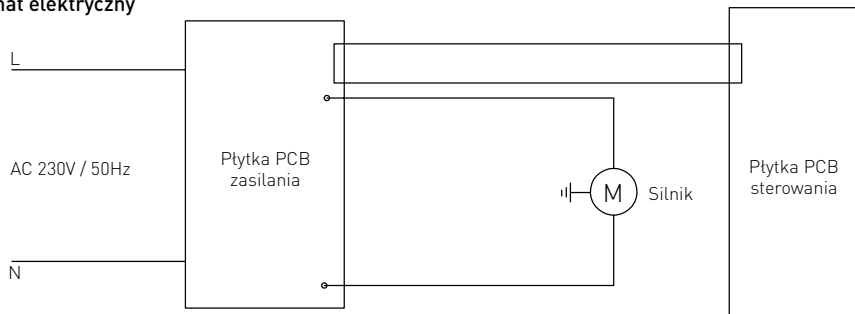


Wykaz części dla modelu 222157

Nr części	Nazwa części	Ilość
1	Montaż ostrza tytanowego	1
2	Pierścień uszczelki ostrza wału	1
3	Mocowanie tulei	1
4	Łożysko	1
5	Stalowy pierścień	1
6	Wał	1
7	Głowica wału	1
8	Pokrywa montująca wał	1
9	Pierścień w kształcie E	1
10	Ostrze wału	1
11	Sworzeń wału ostrza	1
12	Wał klinowy	1
13	Antywibracyjny pierścień uszczelniający	1
14	Pierścień powlekany	1
15	Pierścień antywibracyjny silnika	1
16	Śruby do silnika	4
17	Błaszka mocująca silnik	1
18	Tuleja klinowa	1
19	Silnik	1
20	Prawe załączenie	1
21	Lewe załączenie	1
22	Ostona absorbująca silnik	2
23	Śruby montujące silnik	2
24	Nakrętka montażu prawej i lewej obudowy	2
25	Wentylator silnika	1
26	Górne załączenie	1
27	Śruby mocujące wszystkie obudowy	2
28	Gumka do włącznika/wyłącznika	1
29	Rama mocująca przycisk	1
30	Tablica rozdzielcza	1
31	Śruby montujące	5
32	Panel kontrolny	1
33	Górna pokrywa	1
34	Górna śruba montażowa obudowy	2
35	Element kontrolny	1
36	Odciążacz naprężenia	1
37	Przewód zasilający z wtyczką	1
38	Rama mocująca silnik	1



Schemat elektryczny



Gwarancja

Każda wada bądź usterka powodująca niewłaściwe funkcjonowanie urządzenia, która ujawni się w ciągu jednego roku od daty zakupu, zostanie bezpłatnie usunięta lub urządzenie zostanie wymienione na nowe, o ile było użytkowane i konserwowane zgodnie z instrukcją obsługi i nie było wykorzystywane w niewłaściwy sposób lub niezgodnie z przeznaczeniem. Postanowienie to w żadnej mierze nie narusza innych praw użytkownika wynikających z przepisów prawa. W przypadku zgłoszenia urzą-

dzenia do naprawy lub wymiany w ramach gwarancji należy podać miejsce i datę zakupu urządzenia i dołączyć dowód zakupu (np. paragon).

Zgodnie z naszą polityką ciągłego doskonalenia wyrobów zastrzegamy sobie prawo do wprowadzania bez uprzedzenia zmian w wyrobie, opakowaniu oraz danych technicznych podawanych w dokumentacji.

Wycofanie z użytkowania i ochrona środowiska

Pamiętaj!

Nie wyrzucaj zużytego sprzętu łącznie z innymi odpadami

Nie demontuj zużytych urządzeń zawierających niebezpieczne składniki na własną rękę!

Groź Ci za to kary grzywny!

Po zakończeniu eksploatacji produktu nie wolno gromadzić razem z odpadami komunalnymi, tylko należy odstawić do punktu odbioru odpadów elektrycznych i elektronicznych. Użytkownik ponosi odpowiedzialność za przekazanie wycofanego z użytkowania urządzenia do punktu gospodarowania odpadami. Nieprzestrzeżenie tej zasady może być karane zgodnie z lokalnie obowiązującymi przepisami dotyczącymi gospodarowania odpadami. Jeśli urządzenie wycofane z użytkowania jest poprawnie odebrane jako osobny odpad, może zostać przetworzone i zutylozowane w sposób przyjazny dla środowiska, co zmniejsza negatywny wpływ na środowisko i zdrowie ludzi. Aby uzyskać więcej informacji dotyczących dostępnych usług w zakresie odbioru odpadów, należy skontaktować się z lokalną firmą odbierającą odpady.



Symbol przekreślonego kosza na śmieci oznacza, że tego produktu nie wolno wyrzucać do zwykłych pojemników na odpady.

Zużyte urządzenia elektryczne i elektroniczne mogą zawierać niebezpieczne składniki np. rtęć, ołów, kadm lub freon. Jeśli tego typu substancje przedostaną się w sposób niekontrolowany do środowiska, spowodują skażenie wody i gleby, a także wpłyną niekorzystnie na zdrowie ludzi i zwierząt.

Właściwe postępowanie ze zużytym sprzętem zapobiega potencjalnym negatywnym konsekwencjom dla środowiska naturalnego i ludzkiego zdrowia.


Jednocześnie oszczędzamy naturalne zasoby naszej Ziemi wykorzystując powtórnie surowce uzyskane z przetwarzania sprzętu.



Cher client,

Merci d'avoir acheté cet appareil **Hendi**. Lisez attentivement ce manuel, en accordant une attention particulière aux règles de sécurité décrites ci-dessous, avant d'installer et d'utiliser cet appareil pour la première fois.

Règlement sur la sécurité

- L'appareil est destiné à un usage commercial.
- N'utilisez l'appareil qu'aux fins prévues pour lesquelles il a été conçu comme décrit dans le présent manuel.
- Le fabricant n'est pas responsable des dommages causés par un mauvais fonctionnement et une mauvaise utilisation.
- Gardez l'appareil et la prise électrique à l'écart de l'eau et des autres liquides. Dans le cas où l'appareil tombe dans l'eau, retirez immédiatement la prise d'alimentation de la prise. N'utilisez pas l'appareil tant qu'elle n'a pas été vérifiée par un technicien certifié. Si vous ne respectez pas ces instructions, vous risquez de mettre la vie en danger.
- N'essayez jamais d'ouvrir le boîtier de l'appareil par vous-même.
- N'insérez pas d'objets dans le boîtier de l'appareil.
- Ne touchez pas la prise avec les mains mouillées ou humides.
-  **Danger de choc électrique!** N'essayez pas de réparer l'appareil par vous-même, les réparations doivent être effectuées uniquement par du personnel qualifié.
- **N'utilisez jamais un appareil endommagé!** Lorsqu'il est endommagé, débranchez l'appareil de la prise et contactez le détaillant.
- **Avertissement!** Ne pas immerger les parties électriques de l'appareil dans de l'eau ou d'autres liquides.
- Ne tenez jamais l'appareil sous l'eau courante.
- Vérifiez régulièrement la prise d'alimentation et le cordon pour tout dommage. Lorsqu'il est endommagé, il doit être remplacé par un agent de service ou une personne qualifiée de la même manière afin d'éviter un danger ou une blessure.
- Assurez-vous que le cordon n'entre pas en contact avec des objets tranchants ou chauds et maintenez-le à l'écart du feu ouvert. Ne tirez jamais le cordon d'alimentation pour le débrancher de la prise, tirez toujours la prise à la place.
- Assurez-vous que le cordon d'alimentation et/ou le rallonge ne présentent pas de risque de déclenchement.
- Ne laissez jamais l'appareil sans surveillance pendant l'utilisation.
- **Avertissement!** Tant que la prise est dans la prise, l'appareil est connecté à la source d'alimentation.
- Éteignez l'appareil avant de le débrancher de la prise.
- Connectez la prise d'alimentation à une prise électrique facilement accessible afin qu'en cas d'urgence l'appareil puisse être débranché immédiatement.
- Ne portez jamais l'appareil par le cordon.
- N'utilisez pas de périphériques supplémentaires qui ne sont pas fournis avec la solution matérielle-logicielle.

FR




- Connectez uniquement l'appareil à une prise électrique dont la tension et la fréquence sont indiquées sur l'étiquette de l'appareil.
- N'utilisez jamais d'accessoires autres que ceux recommandés par le fabricant. Le fait de ne pas le faire pourrait présenter un risque pour la sécurité de l'utilisateur et pourrait endommager l'appareil. Utilisez uniquement des pièces et accessoires d'origine.
- Cet appareil ne doit pas être utilisé par des personnes ayant des capacités physiques, sensorielles ou mentales réduites, ou par des personnes qui ont un manque d'expérience et de connaissances.
- Cet appareil ne doit en aucun cas être utilisé par des enfants.
- Gardez l'appareil et son cordon d'alimentation hors de portée des enfants.
- **ATTENTION:** éteignez TOUJOURS l'appareil et débranchez de la prise d'alimentation avant le nettoyage, l'entretien ou le stockage.

Règlement spécial sur la sécurité

- Utilisez l'appareil uniquement conformément aux instructions. Uniquement à l'usage à l'intérieur.
- L'appareil doit être installé et utilisé par le personnel qualifié de la cuisine, dans des points de l'industrie alimentaire par exemple ceux fournissant les services de restauration, dans des restaurants, des bars etc.
- Toutes les interventions d'entretien et d'installation et la réparation de l'appareil doivent être effectuées par les techniciens qualifiés et autorisés.
- Tenez l'appareil éloignés des surfaces chaudes ou des flammes nues. Placez l'appareil sur une surface stable, propre et sèche, résistant à des températures élevées.
- Pendant le fonctionnement utilisez, le cas échéant, les vêtements de protection, le masque ou les lunettes de protection.
- L'appareil n'est pas conçu pour fonctionner par l'intermédiaire d'une minuterie externe ou d'un système de contrôle à distance séparé.
- **AVERTISSEMENT :** N'obstruez pas les orifices de ventilation.
- **AVERTISSEMENT :** Pendant le fonctionnement de l'appareil ne mettez pas vos mains ou des ustensiles de cuisine dans le récipient en réduisant ainsi le risque de blessures graves et/ou l'endommagement au mélangeur.
- Assurez au moins 20 cm d'espace autour de l'appareil pour éviter tout risque.
- **Attention !** Faites passer de manière adéquate et protéger le câble d'alimentation pour éviter tout risque de traction ou de contact avec la lame tournant.
- Ne plongez pas le bras dans un récipient rempli d'eau ou d'un autre liquide, lorsque son niveau ne dépasse pas 5 cm.
- N'utilisez pas l'appareil trop longtemps pour éviter une surchauffe du moteur. L'appareil ne doit pas fonctionner en continu pendant plus de 3 minutes. L'appareil peut être réutilisé lorsqu'il est refroidi.
- N'utilisez pas l'appareil lorsque le bras n'est pas placé dans un récipient.




- Pendant le fonctionnement de l'appareil ne touchez pas la lame ou d'autres pièces mobiles. Ne touchez pas les pièces mobiles avec vos mains ou d'autres ustensiles de cuisine, attachez les cheveux.
- Ne nettoyez pas l'appareil avec de l'eau ou avec un fort courant d'eau. Le lavage de l'appareil avec de l'eau peut provoquer la pénétration de l'eau dans des parties électriques et provoquer le choc électrique. Les parties de l'appareil ne peuvent pas être lavées dans le lave-vaisselle.
- Pour éviter d'endommager le câble d'alimentation, ne le serrez pas, ne le pliez pas et ne le penchez pas sur les bords tranchants. Tenez le câble d'alimentation éloigné des surfaces chaudes et des flammes nues. N'approchez pas les lames tournant de l'appareil au câble d'alimentation.
- Faites passer le câble d'alimentation de sorte que l'appareil ne puisse pas être débranché accidentellement et que personne ne trébuche sur le câble.
- Ne nettoyez pas l'appareil ou ne le rangez pas avant le refroidissement complet.
- **Risque de blessure !** Soyez prudent lors de l'enlèvement des lames tranchants et pendant le nettoyage.
-  Le mélangeur et un appareil de la IIe classe de protection.

Utilisation prévue

- L'appareil est destiné à un usage professionnel.
- Cet appareil est destiné uniquement à broyer, mélanger, écraser, réduire en purée des aliments mous appropriés dans un récipient. L'utilisation de l'appareil à d'autres fins peut entraîner des dommages ou des blessures.
- L'utilisation de l'appareil à d'autres fins sera considérée comme une utilisation inappropriée. L'utilisateur sera seul responsable de l'utilisation incorrecte de l'appareil.

Éléments principaux de l'appareil

1. Interrupteur  ON/OFF : Appuyez et maintenez pour que l'appareil fonctionne en continu. Relâchez pour arrêter le fonctionnement de l'appareil.
2. Augmentation de la vitesse de rotation + : Augmentez la vitesse de tours de 1 à 6
3. Diminution de la vitesse de rotation - : Diminuez la vitesse de tours de 1 à 6
4. Ecran LCD : l'écran affiche la vitesse de rotation actuelle
5. Poignée
6. Trous de ventilation
7. Manche mixeur amovible
8. Lame
9. Protection de la lame
10. Bloc moteur



Préparation avant la première utilisation

- Retirez et éliminez l'emballage et toutes les protections.
- Vérifiez l'appareil et les accessoires en ce qui concerne l'intégralité et les dommages éventuels de l'appareil pendant le transport. En cas de livraison incomplète (par exemple les accessoires manquant) ou de dommages, contactez votre fournisseur. N'UTILISEZ PAS l'appareil (voir ==> Garantie).
- Nettoyez l'appareil (voir ==> Nettoyage et entretien).
- Vérifiez que l'appareil est complètement sec.
- Préparation des ingrédients

Avant l'utilisation

- Lisez attentivement les instructions avant l'installation et l'utilisation de l'appareil.
- Assurez-vous que l'appareil a été placé sur une surface sèche, résistante, dans un endroit où aucuns objets ne font obstacle.
- Assurez-vous que la spécification sur la plaque signalétique correspond aux paramètres de la prise de courant à laquelle l'appareil est raccordé.
- Vérifiez si le bras (7) est correctement installé sur le corps avec le moteur (10).

Transport

- Ne déplacez pas l'appareil pendant son fonctionnement. Si vous voulez déplacer l'appareil dans un autre endroit, d'abord débranchez la fiche de la prise de courant.
- Pendant le déplacement de l'appareil, tenez la poignée de l'appareil.

Fonctionnement

Respectez toujours les consignes de sécurité présentées ci-dessous !

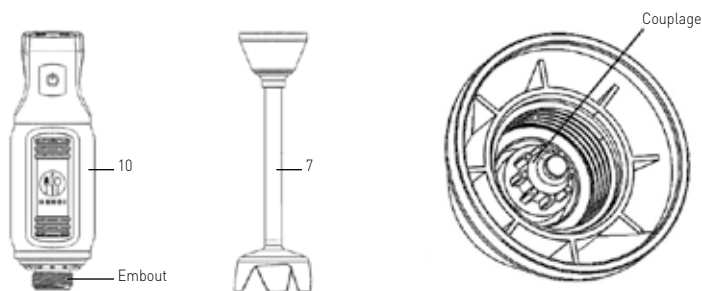
- Avant de monter le bras mélangeur (7) au corps, vérifiez toujours si l'appareil est mis hors tension.
- Ne mettez jamais les mains dans le récipient (non fourni) pour les produits alimentaires. Utiliser pour mélanger les spatules (en bois ou en plastique). Utilisez les spatules uniquement lorsque l'appareil ne fonctionne pas.
- N'utilisez pas l'appareil lorsque le récipient est vide ou pour mélanger les produits alimentaires durs, des liquides chauds ou de la pâte dure etc. pour éviter une surchauffe du mélangeur.
- **AVERTISSEMENT !** Débranchez le câble d'alimentation immédiatement après l'utilisation.



Montage/démontage des pièces de l'appareil

Le montage / le démontage des parties de l'appareil doit être effectué quand l'appareil est arrêté et déconnecté du courant.

Bloc moteur (10) et manche (7):



Démontage:

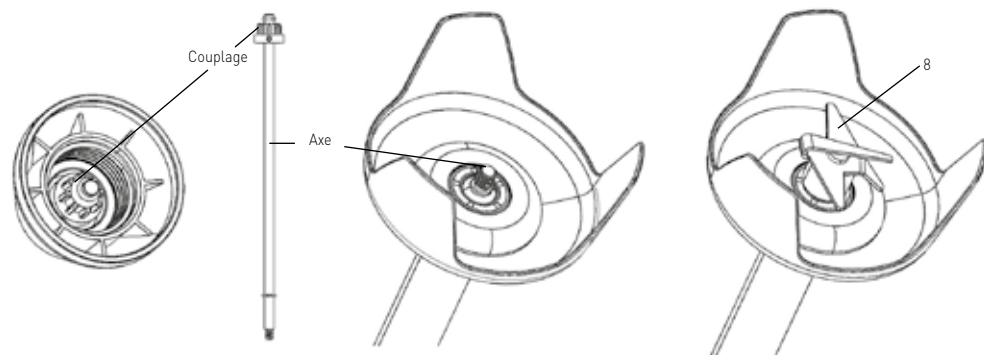
1. Maintenir le bloc moteur (10) et dévisser la manche du mixeur (7) en tournant dans le sens horaire jusqu'à ce qu'elle soit complètement détachée.

Montage:

1. Aligner le couplage de la manche du mixeur (7) avec l'embout du bloc moteur (10).
2. Visser la manche du mixeur (7) en tournant dans le sens anti horaire jusqu'à ce qu'elle soit complètement vissée.

Manche du mixeur(7) et lame (8):

ATTENTION! Veuillez porter des gants de protection pour le démontage (non compris).



Démontage:

1. Maintenir le couplage de la manche du mixeur (7) et dévisser la lame (8) en tournant dans le sens anti horaire jusqu'à ce qu'elle soit complètement détachée.
2. Maintenir la manche du mixeur (7) et retirer l'axe.

Montage:

1. Insérer l'axe dans la manche du mixeur (7) jusqu'à ce qu'elle soit complètement insérée.
2. Maintenir le couplage de la manche du mixeur (7) et visser la lame en tournant dans le sens horaire jusqu'à ce qu'elle soit complètement vissée.

L'appareil est conçu pour	<ul style="list-style-type: none"> • Mélanger les jus ou les cocktails. • Mélanger les produits alimentaires mous (p. ex. la pâte pour les crêpes ou la mayonnaise) • Mélanger les légumes ou préparer les soupes (p. ex. les soupes de carottes etc.)
Préparation	<ul style="list-style-type: none"> • Epluchez et couper les produits alimentaires ; coupez les légumes/les fruits en petits morceaux. • Placez les ingrédients dans un récipients approprié d'une capacité de 1 à 4 litres.
Temps de fonctionnement maximal est de	3 minutes – le fonctionnement plus long peut provoquer la surchauffe du moteur. Quand l'appareil a été refroidi, faites le fonctionner de nouveau

- Tenez fortement le corps (10) de l'appareil d'une seule main et tenez le récipient avec l'autre main.
- Appuyez et maintenez le bouton ON/OFF (1) – l'appareil fonctionnera en continu.
- Déplacez doucement l'appareil vers le haut et le bas pour mélanger uniformément les ingrédients.
- Pour éviter les éclaboussures du mélange, ne retirez pas le bras du mélangeur lorsque l'appareil fonctionne.
- Sélectionnez la vitesse de la lame en appuyant sur le bouton + (2) ou - (3) (Vitesse de 1 à 6) quand l'appareil est allumé. L'écran LCD (4) affiche la vitesse sélectionnée.
Attention : lorsque vous sélectionnez la vitesse de tours, il n'est pas nécessaire d'appuyer simultanément sur le bouton ON/OFF (1).

- Après avoir terminé le travail, relâchez le bouton ON/OFF (1), et l'appareil s'arrête.
- Attendez que la lame (8) s'arrête. Ensuite, mettez l'appareil hors tension en retirant la fiche de la prise.
- Tournez le corps (10) dans le sens des aiguilles d'une montre pour séparer le bras mélangeur (7) pour le nettoyer.

Attention :

1. Appuyez et maintenez le bouton „+” pour diminuer (2) ou le bouton „-” (3) pour augmenter la valeur afin de régler rapidement les valeurs sélectionnées.
2. La vitesse des lames par défaut est la vitesse „3”.

Nettoyage et entretien

Attention: Avant le nettoyage et le démontage du bras mélangeur (7) débranchez toujours l'appareil et attendez jusqu'à ce qu'il refroidisse complètement.

Nettoyage

- Enlevez tous les éléments inutiles situés près de la lame.
- Placez le bras et l'embout dans un récipient approprié rempli d'eau propre et faites fonctionner l'appareil pendant quelques secondes. Ne plongez pas le bras dans l'eau ni dans un autre liquide au-dessus du niveau maximum.

- Ne plongez jamais le moteur ni la poignée dans l'eau (ces composants doivent être nettoyés avec un chiffon humide ou une éponge).

AVERTISSEMENT: Après le nettoyage, séchez toujours soigneusement les lames pour éviter la rouille.



La méthode de nettoyage de l'appareil recommandée

Pièces	Nettoyage	Fréquence
Corps (avec le moteur) (10)	<ul style="list-style-type: none"> N'immergez pas dans l'eau ou dans d'autres liquides. Nettoyez avec une solution de détergent doux, lavez et séchez soigneusement. 	Nettoyez après chaque utilisation.
Bras mélangeur (7)	<ul style="list-style-type: none"> Nettoyez avec l'eau chaude avec un produit de nettoyage doux. Ne plongez jamais le bras mélangeur amovible (7) au-dessus du niveau maximum indiqué. Séchez soigneusement toutes les pièces avant de réutiliser. 	
Lame (8)	<ul style="list-style-type: none"> Attention ! Risque de blessures ! Soyez prudent pendant le nettoyage des lames. Nettoyez avec de l'eau chaude et de détergent doux. Séchez soigneusement toutes les pièces avant de réutiliser. 	

Stockage

- Avant de la mise de l'appareil en stock, assurez-vous toujours que l'appareil a été débranché de la prise électrique et a complètement refroidi.
- Tenez l'appareil dans un endroit frais, propre et sec hors de la portée des enfants.

Dépannage

Si l'appareil ne fonctionne pas correctement, lisez les instructions dans le tableau ci-dessous pour trouver une bonne solution. Si vous ne pouvez pas résoudre le problème, contactez votre revendeur.


Problème	Cause possible	Solution possible
L'appareil ne démarre pas	La fiche n'est pas correctement connectée à la source d'alimentation.	Vérifiez que la fiche est correctement connectée à la source d'alimentation.
	L'interrupteur ON/OFF (1) n'est pas appuyé.	Pour démarrer l'appareil, appuyez et maintenez le bouton ON/OFF (1).
L'appareil émet des sons non standard lors du mélange des ingrédients	Le bras mélangeur (7) n'est pas correctement monté.	Démonter et remonter le bras mélangeur (7).
L'appareil ne fonctionne pas	La protection contre la surchauffe intégrée s'est mise en marche.	Avant de redémarrer l'appareil attendez jusqu'à ce qu'il soit refroidi.
L'appareil est surchauffé.	Durée d'utilisation de l'appareil trop longue.	Relâchez le bouton «ON/OFF» et mettez l'appareil hors tension; attendez 10 minutes jusqu'à ce que le moteur refroidisse.

Caractéristiques techniques

Produit numéro: 222157

Tension et fréquence: 230V~ / 50Hz

Consommation d'énergie: 250W

Classe de protection: Classe II 

Résistance à l'eau: IP23

Dimensions: aenv. 71 x 71 x (hauteur) 444 mm

Poids net: env. 1,6kg

Vitesse de rotation (tours. /min): env. de 6,600 à 13,500

Niveau sonore: < 85dB(A)

Remarque : Les caractéristiques techniques peuvent être modifiées sans préavis.



Liste de pièces pour le modèle 222157

Pièce n°	Nom de la pièce	Quantité
1	Assemblage de la lame en titane	1
2	Bague d'étanchéité de l'arbre à palettes	1
3	Douille de fixation	1
4	Palier	1
5	Bague en acier	1
6	Arbre	1
7	Tête de l'arbre	1
8	Boîtier de l'arbre de montage	1
9	Bague de type E	1
10	Arbre à palettes	1
11	Axe de l'arbre	1
12	Arbre cannelé	1
13	Bague	1
14	Bague lubrifiée	1
15	Bague anti-vibration du moteur	1
16	Vis du moteur	4
17	Plaque de fixation moteur	1
18	Gaine cannelée	1
19	Moteur	1
20	Boîtier droit	1
21	Boîtier gauche	1
22	Couvercle d'absorption du moteur	2
23	Vis de montage du moteur	2
24	Écrou de montage des boîtiers gauche et droite	2
25	Ventilateur du moteur	1
26	Boîtier supérieur	1
27	Vis de montage des boîtiers	2
28	Bouton caoutchouc Marche / Arrêt	1
29	Support de fixation de l'interrupteur	1
30	Panneau d'alimentation	1
31	Vis de montage	5
32	Panneau de contrôle	1
33	Couvercle supérieur	1
34	Vis de montage du boîtier supérieur	2
35	Autocollant des commandes	1
36	Réducteur de tension	1
37	Cordon d'alimentation avec fiche	1
38	Bague de fixation du moteur	1

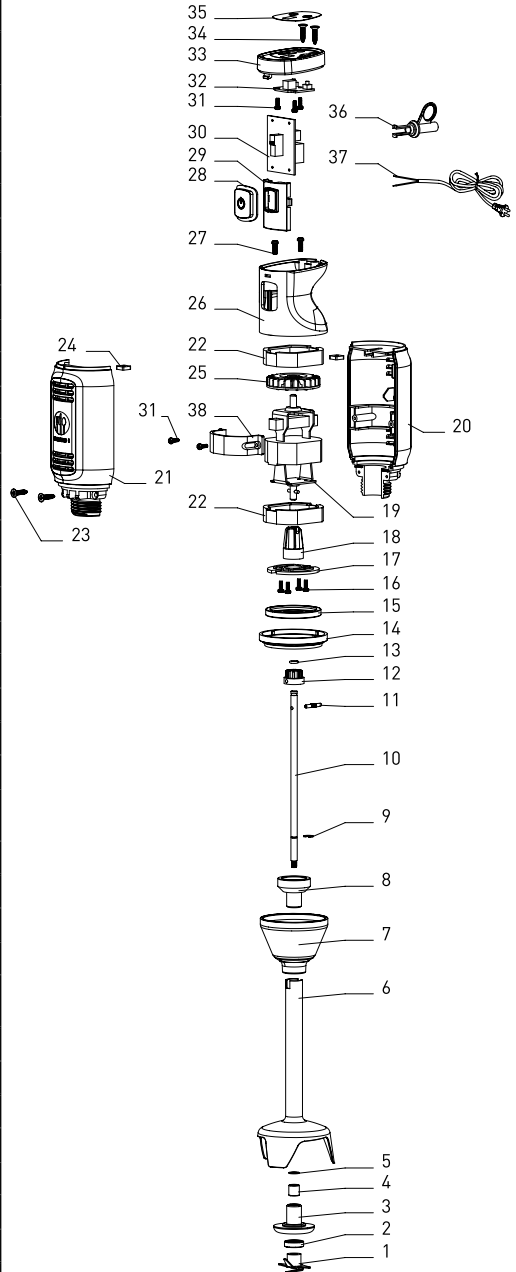
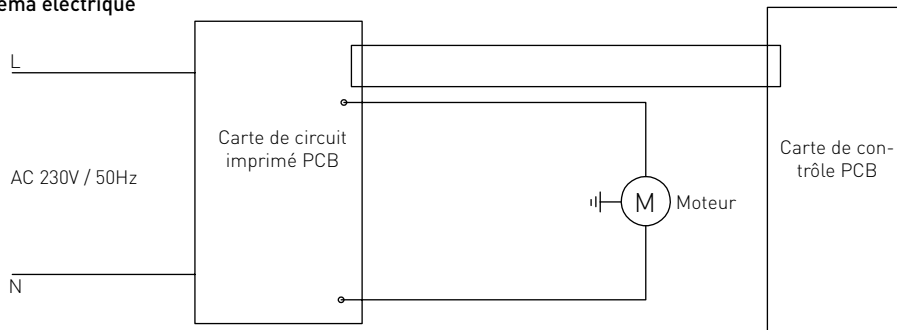


Schéma électrique



Garantie

Tout vice ou toute défaillance entraînant un dysfonctionnement de l'appareil qui se déclare dans les 12 mois suivant la date de l'achat sera éliminé à titre gratuit ou l'appareil sera remplacé par un appareil nouveau si le premier a été dûment exploité et entretenu conformément aux termes de la notice d'exploitation et s'il n'a pas été indûment exploité ou de manière non conforme à sa destination. La présente stipulation ne porte pas de préjudice aux autres droits de l'utilisateur prévus par les dispositions légales. Dans le cas où l'appareil est donné à la réparation ou doit être remplacé

dans le cadre de la garantie, il y a lieu de spécifier le lieu et la date de l'achat de l'appareil et produire un justificatif nécessaire (par ex. facture ou ticket de caisse).

Conformément à notre politique d'amélioration permanente de nos produits, nous nous réservons le droit d'introduire sans avertissement préalable des modifications à l'appareil, à l'emballage et aux caractéristiques techniques précisées dans la documentation.

Élimination et protection de l'environnement

En cas de retrait du produit de l'exploitation l'appareil ne peut pas être jeté avec d'autres déchets ménagers. L'utilisateur est responsable de la remise de l'équipement au point de collecte approprié pour l'équipement usagé. Le non-respect des dispositions ci-dessus peut entraîner les pénalités conformément à la réglementation applicable en matière d'élimination des déchets. La collecte sélective et le recyclage des équipements usagés contribuent à la conservation des ressources natu-

relles et assurent un recyclage sans danger pour la santé et l'environnement.

Pour plus d'informations sur les endroits de collecte des équipements usagés pour le recyclage, contactez la société de collecte des déchets locale. Le producteur et l'importateur ne sont pas responsables du recyclage et du traitement des déchets d'une manière respectueuse de l'environnement directement et dans le système public.

Gentile Cliente,

Grazie per aver acquistato questo apparecchio Hendi. Leggere attentamente questo manuale, prestando particolare attenzione alle norme di sicurezza descritte di seguito, prima di installare e utilizzare questo apparecchio per la prima volta.

Norme di sicurezza

- Questo apparecchio è destinato all'uso commerciale.
- Utilizzare l'apparecchio solo per lo scopo previsto per il quale è stato progettato come descritto nel presente manuale.
- Il produttore non è responsabile per eventuali danni causati da un funzionamento scorretto e da un uso improprio.
- Tenere l'apparecchio e la spina elettrica lontano da acqua e altri liquidi. Nel caso in cui l'apparecchio cada in acqua, rimuovere immediatamente la spina di alimentazione dalla presa. Non utilizzare l'apparecchio fino a quando non è stato controllato da un tecnico certificato. Il mancato rispetto di queste istruzioni causerà rischi pericolosi per la vita.
- Non tentare mai di aprire l'alloggiamento dell'apparecchio da soli.
- Non inserire oggetti nell'alloggiamento dell'apparecchio.
- Non toccare la spina con le mani bagnate o umide.
- ⚠ **Pericolo di scosse elettriche!** Non tentare di riparare l'apparecchio da solo, le riparazioni devono essere eseguite solo da personale qualificato.
- **Non utilizzare mai un apparecchio danneggiato!** Quando è danneggiato, scollegare l'apparecchio dalla presa e contattare il rivenditore.
- **Avvertimento!** Non immergere le parti elettriche dell'apparecchio in acqua o altri liquidi.
- Non tenere mai l'apparecchio sotto l'acqua corrente.
- Controllare regolarmente la spina e il cavo di alimentazione per eventuali danni. Se danneggiato, deve essere sostituito da un agente di servizio o da una persona altrettanto qualificata al fine di evitare pericoli o lesioni.
- Assicurarsi che il cavo non entri in contatto con oggetti appuntiti o caldi e tenerlo lontano dal fuoco aperto. Non tirare mai il cavo di alimentazione per scollegarlo dalla presa, staccare sempre la spina.
- Assicurarsi che il cavo di alimentazione e/o la prolunga non causino rischi di inciampare.
- Non lasciare mai l'apparecchio incustodito durante l'uso.
- **Avvertimento!** Finché la spina si trova nella presa, l'apparecchio è collegato alla fonte di alimentazione.
- Spegnerne l'apparecchio prima di scollegarlo dalla presa.
- Collegare la spina di alimentazione a una presa elettrica facilmente accessibile in modo che in caso di emergenza l'apparecchio possa essere scollegato immediatamente.
- Non portare mai l'apparecchio con il cavo.
- Non utilizzare dispositivi aggiuntivi non forniti insieme all'apparecchio.
- Collegare l'apparecchio a una presa elettrica solo con la tensione e la frequenza indicati sull'etichetta dell'apparecchio.


IT



- Non utilizzare mai accessori diversi da quelli consigliati dal produttore. In caso contrario, potrebbe comportare un rischio per la sicurezza dell'utente e danneggiare l'apparecchio. Utilizzare solo parti e accessori originali.
- Questo apparecchio non deve essere utilizzato da persone con capacità fisiche, sensoriali o mentali ridotte o da persone che hanno una mancanza di esperienza e conoscenze.
- Questo apparecchio non deve, in nessun caso, essere utilizzato dai bambini.
- Tenere l'apparecchio e il suo cavo di alimentazione fuori dalla portata dei bambini.
- **ATTENZIONE:** spegnere SEMPRE l'apparecchio e scollegarlo dalla presa di corrente prima della pulizia, della manutenzione o della conservazione.

Norme speciali di sicurezza


- Utilizzare l'apparecchio solo in conformità con le presenti istruzioni. L'apparecchio è destinato solo all'uso all'interno.
- L'apparecchio deve essere installato o utilizzato unicamente da personale di cucina addestrato in punti di industria alimentare per esempio quei che forniscono i servizi di catering, in ristoranti, in bar ecc.
- Tutte le operazioni di manutenzione, di installazione e la riparazione dell'apparecchio devono essere eseguite da un personale tecnico, qualificato o autorizzato.
- Tenere l'apparecchio lontano da qualsiasi superfici calde o fiamme libere. Posizionare l'apparecchio su una superficie stabile, pulita, asciutta e resistente alle alte temperature.
- Se necessario durante il funzionamento dell'apparecchio utilizzare gli indumenti di protezione, la maschera o gli occhiali di sicurezza.
- L'apparecchio non è progettato per funzionare tramite un timer esterno o un sistema di telecomando separato.
- **AVVERTENZA:** Non ostruire le aperture di ventilazione.
- **AVVERTENZA:** Durante il funzionamento dell'apparecchio non mettere le mani o gli utensili da cucina nel contenitore, riducendo così il rischio di lesioni gravi e/o i danni al frullatore.
- Assicurare almeno 30 cm di spazio intorno all'apparecchio per evitare qualsiasi rischio.
- **Attenzione!** Far passare e proteggere il cavo di alimentazione per evitare tirature accidentali o contatto con le lame rotanti.
- Non immergere il braccio dell'apparecchio in un contenitore con acqua o in un altro liquido se il livello non supera i 5 cm.
- Non utilizzare l'apparecchio per molto tempo per evitare il surriscaldamento. L'apparecchio non deve funzionare in modo continuo per più di 3 minuti. L'apparecchio può essere riutilizzato dopo il raffreddamento.
- Non utilizzare l'apparecchio se il braccio non è stato inserito nel contenitore.
- Non toccare la lama o altre parti in movimento durante il funzionamento. Non toccare le parti in movimento con le mani o gli utensili da cucina durante il funzionamento; legare i capelli.

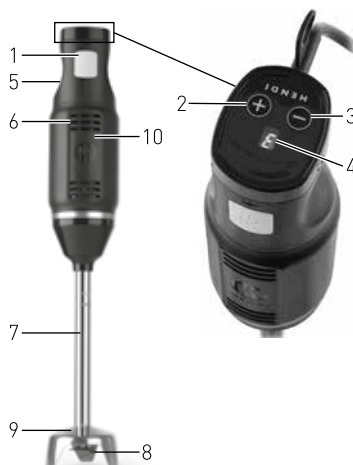
- Non lavare l'apparecchio con acqua o un forte getto di acqua. La pulizia dell'apparecchio con l'acqua può causare la penetrazione nei componenti elettrici e causare una scossa elettrica. Le parti dell'apparecchio non possono essere lavate in lavastoviglie.
- Per evitare i danni al cavo di alimentazione, non schiacciare, piegare o pendere il cavo su bordi taglienti. Tenere il cavo di alimentazione lontano da superfici calde e fiamme aperti. Non avvicinare le lame rotanti al cavo di alimentazione.
- Far scorrere il cavo di alimentazione in modo per impedire il tiro accidentale o l'intervento del cavo.
- Non pulire l'apparecchio o stoccarlo in deposito prima di raffreddamento completo.
- **Pericolo di lesioni!** Fare attenzione durante la rimozione di lame affilate e durante la pulizia.
-  Il frullatore è un apparecchio della II classe di protezione.

Uso previsto

- Il dispositivo è destinato all'uso professionale.
- Questo apparecchio è destinato esclusivamente a frantumare, mescolare, schiacciare, frullare alimenti morbidi in un contenitore. L'uso del dispositivo per qualsiasi altro scopo può causare danni o lesioni.
- L'uso del dispositivo per qualsiasi altro scopo sarà considerato un uso improprio. L'utente sarà l'unico responsabile per l'uso scorretto del dispositivo.

Elementi principali dell'apparecchio

1. L'interruttore ON/OFF  : Premere e mantenere perché l'apparecchio funziona in modo continuo.
2. Aumento di velocità di rotazione + :
Aumentare la velocità di rotazione - da 1 a 6
3. Riduzione di velocità di rotazione - :
Diminuire la velocità di rotazione - da 1 a 6
4. Display LCD: Il display visualizza la velocità di rotazione attuale
5. Maniglia
6. Fori di ventilazione
7. Braccio di miscelazione amovibile
8. Lama
9. Copertura delle lame
10. Corpo (con il motore)



Preparazione prima del primo uso

- Rimuovere e eliminare l'imballaggio e le protezioni.
- Controllare l'apparecchio e gli accessori per la completezza ed eventuali danni durante il trasporto. In caso di consegna incompleta (ad es. accessori che mancano) o di danni contattare il fornitore. NON utilizzare l'apparecchio. (vedere ==> Garanzia).
- Pulire tutte le parti secondo le istruzioni (Vedere ==> Pulizia e manutenzione).
- Verificare che il prodotto è completamente asciutto.
- Preparare gli ingredienti.

Prima del primo uso

- Leggere attentamente le istruzioni prima dell'installazione e dell'utilizzazione l'apparecchio.
- Assicurarsi che l'apparecchio è stato posizionato su una superficie asciutta, resistente, in un luogo dove non ci sono oggetti che potrebbero costituire un ostacolo al funzionamento.
- Controllare se le caratteristiche dell'apparecchio sulla targhetta corrispondono ai parametri della presa di corrente a cui l'apparecchio deve essere collegato.
- Assicurarsi che il braccio (7) sia montato correttamente sul corpo col motore (10).

Trasporto

- Non spostare l'apparecchio durante il suo funzionamento. Se si vuole spostare l'apparecchio in un altro luogo, staccare la spina dalla presa di corrente
- Durante lo spostamento tenere la maniglia dell'apparecchio.

Funzionamento

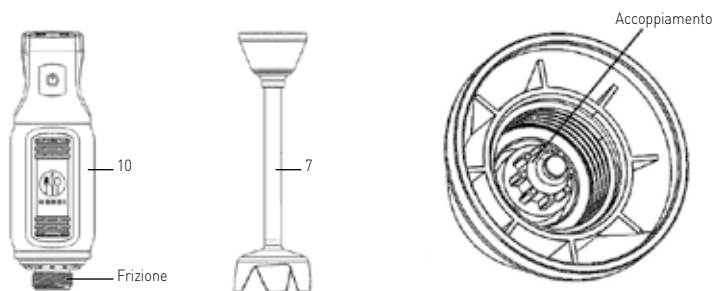
Seguire sempre le istruzioni di sicurezza riportate di seguito!

- Assicurarsi sempre che l'apparecchio è stato scollegato dalla fonte di alimentazione prima di montare il braccio di miscelazione (7) al corpo.
- Non mettere mai le mani nel contenitore per alimenti (non incluso). Per la miscelazione utilizzare sempre la spatola (legno o plastica); Utilizzare la spatola solo se l'apparecchio non funziona.
- Non utilizzare l'apparecchio quando il contenitore è vuoto o per mescolare i prodotti duri, liquido caldo, pasta dura, ecc. per evitare il surriscaldamento del frullatore.
- **ATTENZIONE!** Scollegare il cavo di alimentazione immediatamente dopo l'uso.

Montaggio/smontaggio delle parti dell'apparecchio

Il montaggio / lo smontaggio delle parti dell'apparecchio deve essere eseguito con l'apparecchio spento e scollegato dalla rete elettrica.

Unità principale (10) e miscelatore (7):



Smontaggio:

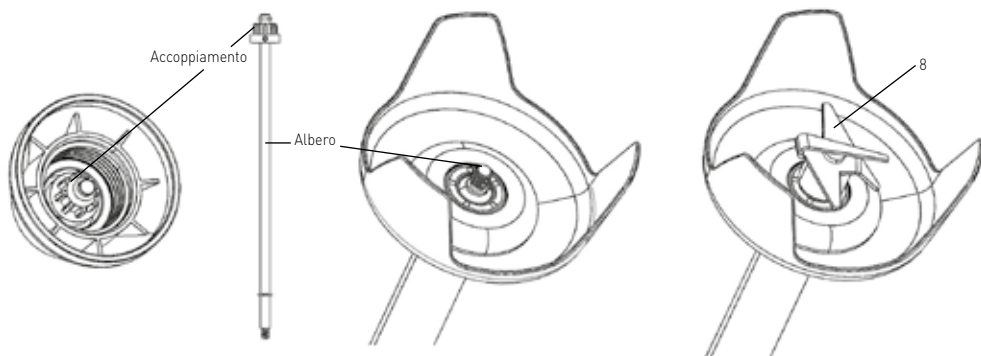
1. Tenere l'unità principale (10) e svitare il miscelatore (7) in senso orario fino a quando non è completamente staccato.

Montaggio:

1. Allineare l'accoppiamento della parte del miscelatore (7) alla frizione dell'unità principale (10).
2. Avvitare il miscelatore (7) in senso antiorario fino a quando non è completamente serrato.

Miscelatore e (7) e lama (8):

ATTENZIONE! Si prega di indossare i guanti protettivi per lo smontaggio (non inclusi)



Smontaggio:

1. Tenere il giunto della parte di fusione (7) e svitare la lama (8) in senso antiorario fino a quando non è completamente staccata.
2. Tenere la parte di miscelazione (7) ed estrarre l'albero.

Montaggio:

1. Inserire l'albero nel miscelatore (7) fino a quando non è completamente inserito.
2. Tenere il giunto della parte del miscelatore (7) e avvitare la lama in senso orario fino a quando non è completamente serrata.



L'apparecchio è destinato per	<ul style="list-style-type: none"> • Mescolare i succhi e i cocktail. • Mescolare i prodotti morbidi (ad es. pasta per crepe o maionese) • Mescolare le verdure per preparare zuppe (ad es. zuppe di carote, ecc.)
Preparazione:	<ul style="list-style-type: none"> • Pelare e tagliare gli elementi alimentari inutili. Tagliare le verdure / la frutta in piccoli pezzi. • Mettere gli ingredienti in un contenitore adatto di una capacità da 1 a 4 litri.
Tempo di lavoro massimo è continuo	3 minuti - il funzionamento più lungo può surriscaldare il motore. Riattivare l'apparecchio dopo il raffreddamento.

- Dopo aver collegato l'apparecchio alla presa di corrente, il display LCD (4) visualizzerà il valore "3".
- Mettere il braccio di miscelazione (7) nel contenitore per alimenti (non fornito con l'apparecchio). Prima di avviare l'apparecchio, immergere l'intera lama (8) negli ingredienti posizionati nel contenitore.

ATTENZIONE: Non immergere mai il braccio di miscelazione (7) sopra il livello **massimo** contrassegnato.

- Tenere fermamente il corpo dell'apparecchio (10) con una mano, tenendo l'altra sul contenitore.
- Premere e mantenere ON/OFF (1) - l'apparecchio funzionerà in modo continuo.
- Spostare delicatamente l'apparecchio su e giù per mescolare in modo uniforme gli ingredienti.
- Per evitare gli spruzzi della miscela, non togliere il braccio dal frullatore mentre l'apparecchio funziona.

- Selezionare la velocità della lama premendo il pulsante + (2) o - (3) (Intervallo di velocità: da 1 a 6) durante il funzionamento. Il display LCD visualizza (4) la velocità selezionata. Attenzione: non è necessario premere contemporaneamente il pulsante ON / OFF (1) quando si seleziona la velocità.
- Dopo aver terminato il lavoro, rilasciare il pulsante ON/OFF (1), e l'apparecchio si spegne.
- Attendere fino a quando la lama (8) si ferma. Quindi scollegare l'apparecchio dalla fonte di alimentazione rimuovendo la spina dalla presa elettrica.
- Ruotare il corpo (10) in senso orario per scollegare il braccio di miscelazione (7) per la pulizia.

Attenzione:

1. Premere e mantenere il pulsante di riduzione „+“ (2) o di aumento „-“ (3) del valore per poter impostare rapidamente il valore selezionato.
2. La velocità predefinita della lama è "3".

Pulizia e manutenzione

Attenzione: Prima di pulire e smontare il braccio di miscelazione (7), spegnere sempre l'apparecchio dalla presa e lasciarlo raffreddare completamente.

Pulizia

- Rimuovere tutti gli elementi non necessari che si trovano vicino alla lama.
- Posizionare il braccio e la punta in un contenitore adatto pieno di acqua pulita e accendere la macchina per alcuni secondi. Non immergere il braccio in acqua o in altri liquidi oltre il livello **massimo**.

- Non immergere mai il motore o la maniglia nell'acqua - queste parti devono essere pulite con un panno umido o con la spugna.

AVVERTENZA: Dopo il lavaggio asciugare sempre accuratamente le lame per evitare qualsiasi ruggine.

Pulizia raccomandata dell'apparecchio:

Elemento	Pulizia	Frequenza
Corpo (con il motore) (10)	<ul style="list-style-type: none"> • Non immergere il corpo (10) in acqua o in altri liquidi. • Utilizzando un panno umido con un detersivo lavare e disinfettare 	Dopo ogni l'utilizzo.
Braccio di miscelazione (7)	<ul style="list-style-type: none"> • Pulire con acqua tiepida e un detersivo delicato. Non immergere mai il braccio di miscelazione amovibile (7) sopra il livello massimo contrassegnato. • Asciugare completamente tutte le parti prima di riutilizzarle. 	
Lama (8)	<ul style="list-style-type: none"> • Attenzione! Pericolo di lesioni! Fare attenzione durante la pulizia delle lame. • Lavare con l'acqua calda e un detersivo delicato. • Dopo la pulizia asciugare completamente. 	

Stoccaggio


- Prima di pulire l'apparecchio e posizionare l'apparecchio in un luogo lo stoccaggio, scollegarlo dalla presa elettrica e attendere fino a che raffredda completamente.
- Conservare in un luogo fresco, asciutto e pulito.

Risoluzione dei problemi

Se l'apparecchio non funziona correttamente, leggere la tabella qui sotto per trovare la soluzione corretta. Se non è possibile risolvere il problema, contattare il rivenditore.

Problema	Causa possibile	Soluzione possibile
L'apparecchio non si avvia.	La spina non è correttamente collegata ad una fonte di alimentazione.	Verificare che la spina è correttamente collegata alla presa di corrente.
	L'interruttore ON/OFF (1) non è premuto.	Per avviare l'apparecchio, premere e mantenere il pulsante ON/OFF (1).
L'apparecchio emette suoni non standard quando mescolano prodotti alimentari.	Il braccio di miscelazione (7) non è stato correttamente montato.	Smontare e montare di nuovo il braccio di miscelazione (7).
L'apparecchio non funziona.	La protezione da surriscaldamento integrata è stata attivata.	Prima di riavviare, aspettare che l'apparecchio si raffredda completamente.
L'apparecchio si è surriscaldato.	L'apparecchio è stato utilizzato troppo a lungo.	Rilasciare il pulsante ON/OFF e scollegare l'apparecchio dalla fonte di alimentazione. Attendere 10 minuti fino a quando il motore non sia raffreddato.

Specifiche tecniche

Numero del prodotto: 222157
 Tensione e frequenza: 230V~ / 50Hz
 Consumo di energia: 250W
 Classe di protezione: Class II 

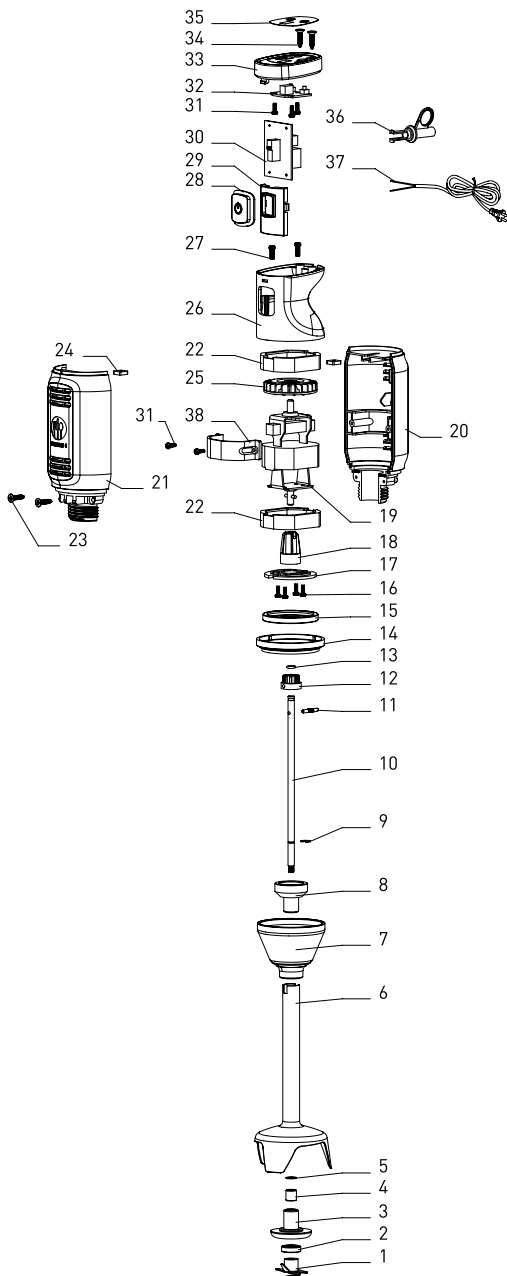
Classe di resistenza all'acqua: IP23
 Dimensioni: circa 71 x 71 x (altezza) 444 mm
 Peso netto: circa 1,6kg
 Velocità rotativa (giri./min): circa 6,600 do 13,500
 Livello di rumore massimo: < 85dB(A)

Nota: Le specifiche tecniche sono soggette a modifiche senza preavviso.

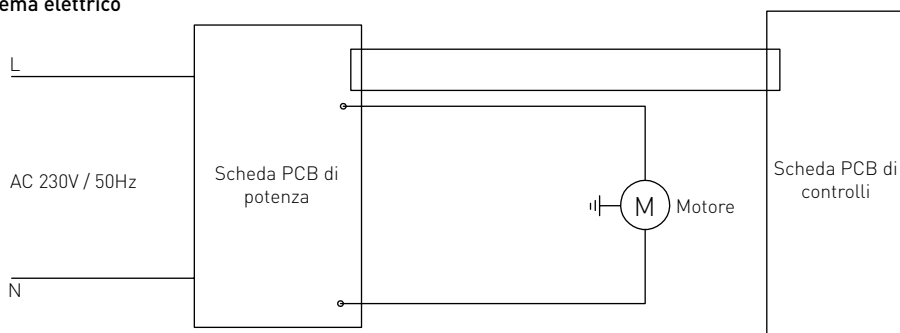


Elenco delle parti per il modello 222157

Pezzo n.	Nome del pezzo	Quantità
1	Gruppo lama al titanio	1
2	Anello di tenuta dell'albero della lama	1
3	Boccola di fissaggio	1
4	Cuscinetto	1
5	Anello di acciaio	1
6	Albero	1
7	Testa dell'albero	1
8	Carter dell'albero di montaggio	1
9	Anello a E	1
10	Albero della lama	1
11	Perno dell'albero della lama	1
12	Albero scanalato	1
13	Anello di tenuta anti-vibrazione	1
14	Anello rivestito	1
15	Anello anti-vibrazione per motore	1
16	Vite per motore	4
17	Piastra di fissaggio del motore	1
18	Manicotto scanalato	1
19	Motore	1
20	Chiusura destra	1
21	Chiusura sinistra	1
22	Copertura assorbente del motore	2
23	Viti di montaggio del motore	2
24	Dado di montaggio chiusura destra e sinistra	2
25	Ventola del motore	1
26	Chiusura superiore	1
27	Viti di montaggio di tutte le chiusure	2
28	Gomma del pulsante on / off	1
29	Telaio di fissaggio del pulsante	1
30	Scheda di alimentazione	1
31	Viti di montaggio	5
32	Pannello di controllo	1
33	Copertura posteriore	1
34	Vite di montaggio della chiusura superiore	2
35	Adesivo di controllo	1
36	Scarico della trazione	1
37	Cavo di alimentazione con spina	1
38	Telaio di fissaggio del motore	1



Schema elettrico



Garanzia

Qualsiasi difetto che influenzi la funzionalità del dispositivo che compaia entro un anno dall'acquisto sarà corretto a titolo interamente gratuito o con la sostituzione del prodotto che è stato utilizzato e sottoposto a manutenzione corretta seguendo le istruzioni, senza alcuna violazione. I diritti legali del cliente non sono assolutamente modificati. Nel caso in cui l'intervento di manutenzione o sostitu-

zione sia previsto nel periodo di validità della garanzia, precisare dove e quando si è acquistato il prodotto, possibilmente allegando lo scontrino.

In linea con la nostra politica di sviluppo continuo dei prodotti, ci riserviamo il diritto di modificare il prodotto, l'imballo e le specifiche di documentazione, senza notifica alcuna.

Smaltimento e protezione dell'ambiente

In caso di ritiro dell'apparecchiatura dal funzionamento il prodotto non può essere smaltito con altri rifiuti domestici. L'utente è responsabile della consegna dell'attrezzatura al punto di raccolta appropriato per l'attrezzatura usata. Il mancato rispetto delle disposizioni sopramenzionate può comportare l'imposizione di sanzioni in conformità con le normative vigenti in materia di smaltimento dei rifiuti. La raccolta e il riciclaggio selettivi di attrezzature usate contribuiscono alla conservazione delle risorse naturali e garantiscono il riciclaggio

in modo tale da non nuocere alla salute e all'ambiente.


Per ulteriori informazioni sui luoghi di smaltimento delle apparecchiature usate per il riciclaggio, contattare la società locale di raccolta dei rifiuti. Il produttore e l'importatore non sono responsabili per il riciclaggio e il trattamento dei rifiuti in modo ecologico, sia direttamente che nel quadro del sistema pubblico.



Stimate client,

Vă mulțumim pentru achiziționarea acestui aparat Hendi. Citiți cu atenție acest manual, acordând o atenție deosebită reglementărilor de siguranță prezentate mai jos, înainte de a instala și utiliza acest aparat pentru prima dată.

Regulile de siguranță


- Acest aparat este destinat uzului comercial.
- Utilizați aparatul numai în scopul pentru care a fost proiectat conform descrierii din acest manual.
- Producătorul nu este răspunzător pentru nici o deteriorare cauzată de funcționarea incorectă și de utilizarea necorespunzătoare.
- Păstrați aparatul și ștecherul departe de apă și de alte lichide. În cazul în care aparatul cade în apă, scoateți imediat ștecherul de alimentare din priză. Nu utilizați aparatul înainte de verificarea acestuia de către un tehnician certificat. Nerespectarea acestor instrucțiuni va cauza riscuri care pun viața în pericol.
- Nu încercați niciodată să deschideți singur carcasa aparatului.
- Nu introduceți obiecte în carcasa aparatului.
- Nu atingeți ștecherul cu mâinile umede sau umede.
-  **Pericol de șoc electric!** Nu încercați să reparați singur aparatul, reparațiile trebuie efectuate numai de personal calificat.
- **Nu folosiți niciodată un aparat deteriorat!** Când este deteriorat, deconectați aparatul de la priză și contactați distribuitorul.
- **Avertisment!** Nu scufundați părțile electrice ale aparatului în apă sau alte lichide.
- Nu țineți niciodată aparatul sub jet de apă.
- Verificați cu regularitate ștecherul și cablul de alimentare pentru orice deteriorare. În cazul deteriorării, acesta trebuie înlocuit de un agent de service sau de o persoană calificată în mod similar, pentru a evita pericolul sau rănirea.
- Asigurați-vă că cablul nu intră în contact cu obiecte ascuțite sau fierbinți și păstrați-l departe de focul deschis. Nu trageți niciodată cablul de alimentare pentru a-l deconecta de la priză, trageți întotdeauna ștecherul în schimb.
- Asigurați-vă că cablul de alimentare și/sau cablul prelungitor nu provoacă pericol de deplasare.
- Nu lăsați niciodată aparatul nesupravegheat în timpul utilizării.
- **Avertisment!** Atâta timp cât ștecherul este în priză, aparatul este conectat la sursa de alimentare.
- Oprii aparatul înainte de a-l deconecta de la priză.
- Conectați ștecherul la o priză electrică ușor accesibilă, astfel încât, în caz de urgență, aparatul să poată fi deconectat imediat.
- Nu purtați niciodată aparatul de cablu.
- Nu utilizați dispozitive suplimentare care nu sunt furnizate împreună cu aparatul.
- Conectați aparatul numai la o priză electrică cu tensiunea și frecvența menționate pe eticheta aparatului.

- Nu folosiți niciodată alte accesorii decât cele recomandate de producător. Nerespectarea acestui lucru ar putea reprezenta un risc de siguranță pentru utilizator și ar putea deteriora aparatul. Utilizați numai piese originale și accesorii.
- Acest aparat nu trebuie operat de persoane cu capacități fizice, senzoriale sau mentale reduse sau de persoane care au o lipsă de experiență și cunoștințe.
- Acest aparat nu ar trebui, în nici un caz, să fie utilizat de copii.
- Nu lăsați aparatul și cablul de alimentare la îndemâna copiilor.
- **AVERTISMENT:** Opriți întotdeauna aparatul și deconectați de la priză înainte de curățare, întreținere sau depozitare.

Regulamente speciale de siguranță

- Utilizați aparatul doar în conformitatea cu indicațiile din acest manual. A se utiliza doar la interior.
- Acest aparat trebuie utilizat și instalat de către personal instruit specializat în bucătăria industriilor alimentare, cum ar fi cele de catering, restaurante, baruri etc.
- Toate lucrările de întreținere, instalare și reparații trebuie efectuate de tehnicieni specializați, instruiți și autorizați.
- Țineți aparatul la distanță de suprafețele fierbinți și de focul deschis. Utilizați întotdeauna aparatul pe o suprafață orizontală, stabilă, curată, termorezistentă și uscată.
- În timpul funcționării purtați îmbrăcăminte de protecție, mască sau ochelari de protecție, dacă este nevoie.
- Acest aparat nu este conceput pentru a fi utilizat cu ajutorul unui cronometru extern sau al unui sistem de control separat.
- **AVERTISMENT:** Nu obstrucționați orificiile de ventilație ale aparatului.
- **AVERTISMENT:** Nu introduceți mâinile sau obiecte în vas în timpul funcționării pentru a reduce riscul de accidentare gravă și / sau de avariarea blenderului.
- Pentru evitarea pericolelor, lăsați cel puțin 20 cm în jurul aparatului.
- **Atenție!** Așezați corespunzător cablul de alimentare, dacă este cazul, pentru a împiedica tragerea neintenționată sau contactul cu lama aflată în mișcare.
- Nu scufundați axul în apă sau alt lichid sub 5 cm.
- Nu lăsați aparatul să funcționeze fără întreruperi pentru a evita supraîncălzirea motorului. Timpul de funcționare continuă nu trebuie să depășească 3 minute. Aparatul poate fi pornit din nou după ce s-a răcit.
- Nu utilizați dispozitivul în exteriorul vasului.
- Nu atingeți lama, apărătoarea lamei și piesele în mișcare. Feriți degetele, părul, hainele și ustensilele de toate piesele în mișcare.
- Nu spălați aparatul cu apă sau sub jet de apă. Spălarea cu apă poate produce scurgeri și crește riscul de electrocutare. Componentele nu pot fi curățate în mașina de spălat vase.
- Pentru a se evita deteriorarea cordonului, acesta nu trebuie strivit, îndoit sau frecat de muchii ascuțite. Țineți-l la distanță de suprafețele fierbinți și de focul deschis. Nu lăsați lamele rotative să atingă cordonul de alimentare.




- Așezați cordonul de alimentare în așa fel încât acesta să nu poată fi tras din greșeală sau să nu se agațe de ceva.
- Nu curățați și nu depozitați mașina decât după ce s-a răcit complet.
- **Pericol de accidentare!** Acordați atenție în timpul manipulării lamelor ascuțite și în timpul curățării.
-  Acest aparat are clasa de protecție II.

Utilizare preconizată

- Acesta este un aparat de uz profesional.
- Acest aparat este destinat doar pentru pasarea, zdrobirea și amestecarea alimentelor pentru prepararea piureurilor, pasarea se efectuează doar în recipient adecvat. Orice altă utilizare poate provoca avarierea aparatului sau accidentarea persoanelor.
- Utilizarea aparatului în orice alt scop reprezintă o utilizare incorectă. Utilizatorul este singurul răspunzător de orice utilizare incorectă a aparatului.

Piese principale ale aparatului

1. Comutator ON/OFF  : Țineți apăsat pentru funcționarea continuă Eliberați butonul pentru a opri funcționarea.
2. Creșteți viteza setată + :
3. Reduceți viteza setată - :
4. Afișajul LCD: Arată viteza setată
5. Mâner
6. Orificii de ventilație
7. Componentă de amestecare detașabilă
8. Lamă
9. Apărătoarea lamei
10. Unitatea principală cu motorul



Pregătiri înainte de utilizare

- Îndepărtați toate ambalajele și învelitorile de protecție.
- Verificați dacă aparatul este complet și dacă nu a suferit avarii în timpul transportului. În cazul în care produsul livrat nu este complet sau dacă există avarii luați imediat legătura cu furnizorul. NU utilizați aparatul. (Vezi ==> Garanție).
- Curățați aparatul înainte de utilizare (Vezi ==> Curățarea și întreținerea).
- Asigurați-vă că aparatul este complet uscat.
- Pregătirea ingredientelor alimentare pentru prelucrare.

Înainte de utilizare

- Citiți acest manual cu atenție și rigurozitate înainte de utilizare.
- Verificați dacă aparatul este așezat într-un loc uscat, fără obstacole care să împiedice utilizarea.
- Verificați dacă sursa de alimentare cu electricitate corespunde plăcuței de identificare de pe aparat.
- Verificați dacă componenta de amestecare (7) este bine fixată pe corpul principal care conține motorul (10).

Transportul

- Nu mutați aparatul în timp ce acesta funcționează. Ori de câte ori mutați aparatul în altă parte, acesta trebuie scos din priză.
- În timp ce deplasați aparatul acesta trebuie ținut de mâner.

Modul de utilizare

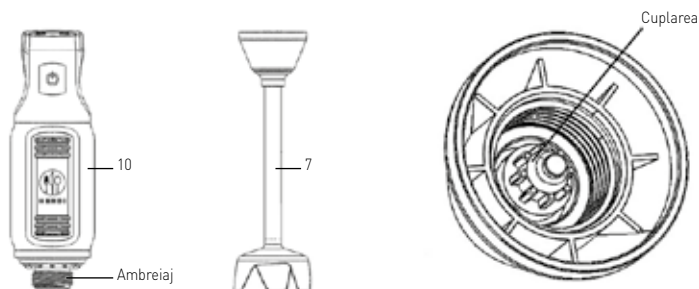
Aceste recomandări de siguranță trebuie respectate în permanență!

- Înainte de a monta componenta de amestecare (7) pe aparat verificați dacă acesta este scos din priză.
- Nu introduceți niciodată mâna în vasul pentru alimente (nelivrat). Întotdeauna trebuie folosite spatule de lemn sau de plastic și doar atunci când aparatul nu funcționează.
- Nu porniți aparatul dacă în vas nu se află alimente și nici nu puneți în vas alimente tari, lichide fierbinți, cocă groasă etc. pentru a preveni supraîncălzirea aparatului.
- **AVERTISMENT!** Scoateți aparatul din priză imediat după utilizare.

Asamblarea/dezasamblarea accesoriilor

Operațiunile de asamblare/dezasamblare a aparatului se realizează prin oprirea și deconectarea acestuia de la sursa de alimentare cu energie electrică.

Unitatea principală (10) și partea de amestecare (7):



Dezasamblare:

1. Țineți unitatea principală (10) și înșurubați piesa de amestecare (7) în sens orar până când este complet detașată.

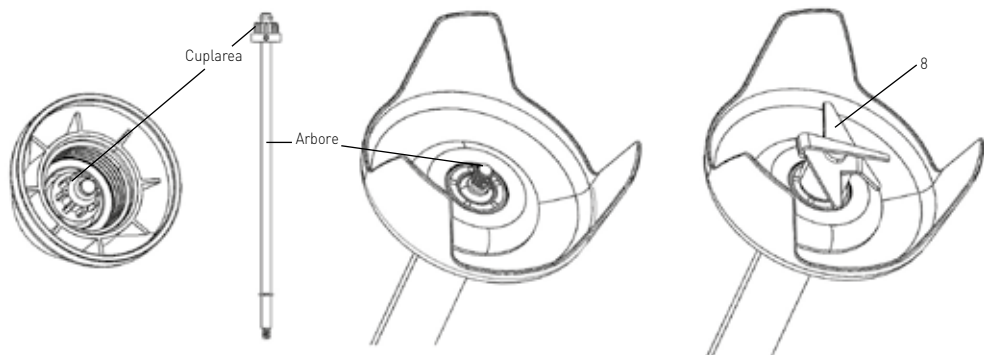
Montare:

1. Aliniați cuplajul piesei de amestecare (7) la ambreiajul unității principale (10).
2. Înfiletați piesa de amestecare (7) în sens invers acelor de ceasornic până la strângerea completă.

Piesă de amestecare (7) și lamă (8):

ATENȚIE! Purtați mănuși de protecție pentru dezasamblare (nu sunt incluse)





Dezasamblare:

1. Mențineți cuplajul piesei de amestecare (7) și deșurubați lama (8) în sens invers acelor de ceasornic până când se desprinde complet.
2. Țineți piesa de amestecare (7) și trageți axul afară.

Montare:

1. Introduceți axul în piesa pentru amestecare (7) până la introducerea sa completă.
2. Țineți cuplajul piesei de amestecare (7) și înșurubați-l până când este complet strâns.

Adecvat pentru:	<ul style="list-style-type: none"> • Amestecarea sucurilor și shake-urilor • Amestecarea ingredientelor moi (de exemplu aluatul pentru clătite sau maioneza). • Amestecarea zarzaturilor pentru supă (de exemplu morcovi etc.)
Pregătirea:	<ul style="list-style-type: none"> • Cojiți și curățați alimentele și tăiați-le în bucăți mici. • Puneți alimentele într-un vas cu o capacitate suficientă, de 1~4 litri.
Timpul maxim de funcționare continuă	3 minute pentru a preveni supraîncălzirea motorului. Acționați din nou aparatul după răcire.

- După ce ați conectat ștecherul, pe afișajul LCD (4) va apărea cifra „3”.
- Introduceți componenta de amestecare (7) în vasul pentru alimente (neinclus). Scufundați lama (8) complet în ingrediente înainte de a porni aparatul.
ATENȚIE: Nu trebuie să scufundați componenta de amestecare (7) dincolo de semnul **Max**.
- Țineți bine unitatea principală (10) cu o mână și vasul în care se face amestecul cu mâna cealaltă.
- Țineți apăsat butonul ON / OFF (1) și aparatul va începe să funcționeze continuu.
- Aplicați o mișcare ușoară de sus în jos pentru a amesteca lin ingredientele.
- Pentru a evita împrăștierea alimentelor nu scoateți aparatul din ingrediente cât timp acesta funcționează.

- Selectați viteza lamelor apăsând butonul + (2) sau - (3) (intervalul de viteză: 1 până la 6) în timpul funcționării. Pe afișajul LCD (4) se va afișa viteza lamei.
Notă: Nu este nevoie să apăsați butonul ON/OFF (1) atunci când selectați viteza lamei.
- După utilizare eliberați butonul ON/OFF (1) pentru a opri aparatul.
- Așteptați până când lama (8) se oprește complet. Apoi deconectați aparatul de la priză electrică.
- Răsuciți unitatea principală (10) în sensul acelor de ceasornic pentru a demonta componenta de amestecare (7) pentru curățare.

Notă:

1. Țineți apăsat butonul de creștere sau descreștere + (2) sau - (3) pentru un reglaj rapid.
2. Viteza instalată a lamei, după ce aparatul a fost pus în priză, este „3”.



Curățare și Întreținere

Atenție: Scoateți întotdeauna aparatul din priză și lăsați-l să se răcească complet înainte de curățare și demontați componenta de amestecare (7).

Curățare

- Îndepărtați toate obstacolele din apropierea lamei.
- Scufundați axul și vârful de amestecare într-un vas adecvat, cu apă curată, și porniți motorul pentru câteva secunde. Nu scufundați axul în lichid peste semnul **Max**.
- Nu scufundați niciodată motorul sau mânerul în apă; curățarea se face cu o cârpă sau un burete umezite.

AVERTISMENT: După spălare lamele trebuie întotdeauna șterse foarte bine pentru a nu lăsa să se formeze rugina.

Procedura recomandată de curățare:

Piese	Mod de curățare	Frecvență
Unitatea principală cu motorul (10)	<ul style="list-style-type: none">• Nu scufundați niciodată această componentă în apă sau în alte lichide.• Folosiți o lavetă umedă cu puțin detergent și apă, clătiți, igienizați și uscați complet.	Curățați după fiecare utilizare
Componenta de amestecare (7)	<ul style="list-style-type: none">• Curățați cu apă călduță și puțin detergent slab. Nu scufundați componenta de amestecare detașabilă (7) dincolo de semnul Max.• Uscați toate piesele înainte de reutilizare.	
Lama (8)	<ul style="list-style-type: none">• Avertisment! Risc de accidentare! Trebuie multă atenție la curățarea lamelor.• Curățați cu apă călduță și un pic de detergent slab.• Uscați bine după curățare	

Depozitare

- Asigurați-vă întotdeauna înainte de depozitare că aparatul a fost deconectat de la sursa de alimentare și s-a răcit complet.
- Depozitați aparatul într-un loc răcoros, curat și uscat și nu îl lăsați la îndemâna copiilor.

Depanare

Dacă aparatul nu funcționează corespunzător, consultați tabelul de mai jos pentru a găsi soluția.

Dacă tot nu puteți rezolva problema, luați legătura cu furnizorul/agentul de service.

Probleme	Cauze posibile	Soluție posibilă
Aparatul nu pornește	Ștecherul nu este conectat la o sursă de curent corectă.	Verificați ștecherul pentru a vă asigura că este conectat la o priză corespunzătoare.
	Butonul ON/OFF (1) nu este apăsat.	Țineți apăsat butonul ON/OFF (1) pentru a porni aparatul.
Zgomote anormale în timpul funcționării	Componenta de amestecare (7) nu este cuplată corect.	Demontați componenta de amestecare (7) și montați-o la loc.
Aparatul nu funcționează	Dispozitivele de supraîncălzire interne se activează.	Lăsați aparatul să se răcească deplin înainte de a-l reporni.
Aparatul s-a supraîncălzit	Exploatare prelungită	Eliberați butonul ON/OFF (PORNIT/OPRIT) și scoateți aparatul din priză, așteptați 10 minute ca motorul să se răcească.




Specificația tehnică

Articol nr.: 222157

Tensiune și frecvență de funcționare: 230V~ / 50Hz

Puterea nominală de intrare: 250W

Clasa de protecție: Clasa II 

Clasa de protecție contra apei : IP23

Dimensiune: aprox. 71 x 71 x (H) 444 mm

Greutate netă: aprox. 1,6 kg

Turația (rot/min): aprox. 6,600 până la 13,500

Nivel sonor: < 85dB(A)

Observație: Specificația tehnică poate fi modificată fără preaviz.

Lista de piese pentru 222157

Piesă nr.	Denumirea piesei	Cantitatea
1	Ansamblu de lame din titan	1
2	Inel de etanșare pentru arborele de cuțit	1
3	Bucșă de fixare	1
4	Rulment	1
5	Inel din oțel	1
6	Arbore	1
7	Capătul arborelui	1
8	Capacul arborelui de montare	1
9	Inel în formă de E	1
10	Arbore de cuțit	1
11	Știft al axului lamei	1
12	Arbore cu caneluri	1
13	Inel de etanșare anti-vibrație	1
14	Inel placat	1
15	Inel anti-vibrație pentru motor	1
16	Șurub pentru motor	4
17	Placă de fixare a motorului	1
18	Manșon cu caneluri	1
19	Motor	1
20	Carcasă din partea dreaptă	1
21	Carcasă din partea stângă	1
22	Capac de amortizare al motorului	2
23	Șuruburi de montare a motorului	2
24	Piuliță de montare a carcasei stânga și dreapta	2
25	Ventilator motor	1
26	Carcasă superioară	1
27	Șurub de montare pentru toate carcasele	2
28	Buton de pornire/oprire din cauciuc	1
29	Cadru de fixare a butonului	1
30	Placă de alimentare	1
31	Șuruburi de montare	5
32	Panou de comandă	1
33	Capac superior	1
34	Șurub de montare pentru carcasa superioară	2
35	Autocolant comenzi	1
36	Protecție cablu	1
37	Cablu de alimentare cu ștecher	1
38	Cadru de fixare a motorului	1

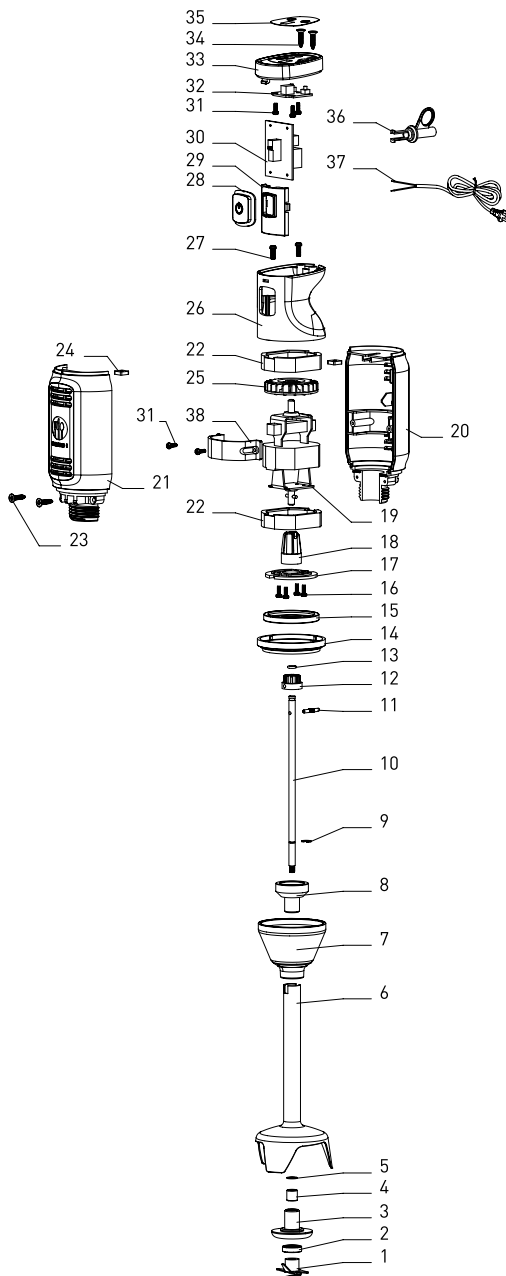
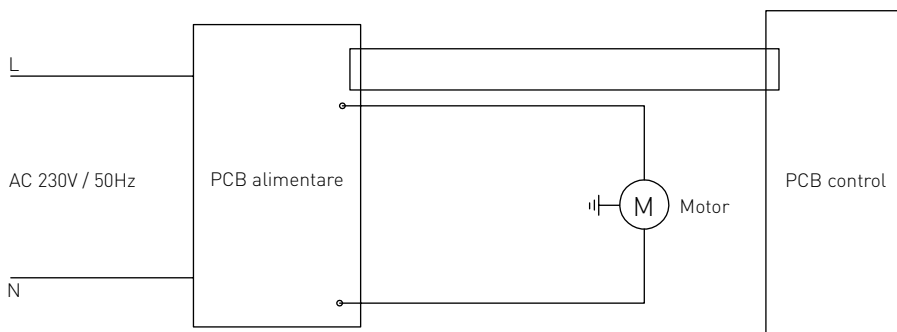


Diagrama circuitului



Garanție

Orice defecțiune care afectează funcționarea aparatului apărută la mai puțin de un an de la cumpărarea acestuia va fi remediată prin reparație sau înlocuire gratuită, cu condiția ca aparatul să fi fost folosit și întreținut conform instrucțiunilor nu să nu fi fost bruscat sau folosit necorespunzător în vreun fel. Drepturile dumneavoastră legale nu sunt afec-

tate. Dacă aparatul este în garanție, menționați când și de unde a fost cumpărat și includeți dovada cumpărării (de ex. chitanța).

Conform politicii noastre de dezvoltare continuă a produsului, ne rezervăm dreptul de a modifica produsul, ambalajul și documentația fără notificare.

RO

Eliminarea și mediul înconjurător


La dezafectarea aparatului, produsul nu trebuie aruncat împreună cu alte deșeuri menajere. În schimb, este responsabilitatea dumneavoastră să eliminați echipamentul uzat prin predarea acestuia la un punct de colectare desemnat. Nerespectarea acestei reguli poate fi penalizată în conformitate cu reglementările aplicabile privind eliminarea deșeurilor. Colectarea separată și reciclarea echipamentului dumneavoastră uzat la momentul debarasării contribuie la conservarea resurselor naturale și

asigură realizarea reciclării într-un mod care protejează sănătatea ființelor umane și a mediului. Pentru informații suplimentare privind modul în care puteți preda deșeurile dumneavoastră în scopul reciclării, vă rugăm să contactați compania locală de colectare a deșeurilor. Producătorii și importatorii nu își asumă responsabilitatea cu privire la reciclarea, tratarea și eliminarea ecologică a deșeurilor, fie direct, fie prin intermediul unui sistem public.



Благодарим Вас за покупку этого устройства Hendi. Внимательно прочитайте это руководство, обращая особое внимание на правила безопасности, изложенные ниже, перед установкой и использованием этого устройства в первый раз.

Правила безопасности


- Это оборудование предназначено для коммерческого использования.
- Используйте прибор только по назначению, для которого он был разработан, как описано в данном руководстве.
- Изготовитель не несет ответственности за любой ущерб, вызванный неправильной работой и неправильным использованием.
- Держите прибор и электрическую вилку подальше от воды и других жидкостей. В случае, если прибор попадает в воду, немедленно снимите вилку питания с розетки. Не используйте устройство до тех пор, пока оно не будет проверено сертифицированным техническим специалистом. Несоблюдение этих инструкций приведет к угрожающей жизни опасности.
- Никогда не пытайтесь открыть корпус прибора самостоятельно.
- Не вставляйте объекты в корпус прибора.
- Не прикасайтесь к вилке мокрыми или влажными руками.
-  **Опасность поражения электрическим током!** Не пытайтесь самостоятельно отремонтировать прибор, ремонт должен проводиться только квалифицированный персонал.
- **Никогда не используйте поврежденный прибор!** Когда устройство повреждено, отсоедините устройство от розетки и обратитесь к продавцу.
- **Предупреждение!** Не погружайте электрические части прибора в воду или другие жидкости.
- Никогда не удерживайте прибор под проточной водой.
- Регулярно проверяйте штекер питания и шнур на наличие повреждений. В случае повреждения его необходимо заменить сервисным агентом или лицом, имеющим аналогичную квалификацию, с тем чтобы избежать опасности или травм.
- Убедитесь, что шнур не соприкасается с острыми или горячими предметами и держите его подальше от открытого огня. Никогда не тяните шнур питания, чтобы отсоединить его от розетки, всегда тяните вилку вместо нее.
- Убедитесь, что шнур питания и/или удлинитель не вызывают опасности аварии.
- Никогда не оставляйте прибор без присмотра во время использования.
- **Предупреждение!** Пока штекер находится в розетке, прибор подключается к источнику питания.
- Выключите устройство, прежде чем отсоединить его от розетки.
- Подключите вилку питания к легкодоступной электрической розетке, чтобы в случае аварийной ситуации устройство можно было немедленно отключить.
- Никогда не носите прибор за шнур.



- Не используйте дополнительные устройства, которые не поставляются вместе с устройством.
- Подключите прибор только к электрической розетке с напряжением и частотой, указанными на этикетке устройства.
- Никогда не используйте аксессуары, кроме тех, которые рекомендованы производителем. Невыполнение этого требования может представлять опасность для безопасности пользователя и привести к повреждению устройства. Используйте только оригинальные детали и аксессуары.
- Этот прибор не должен эксплуатироваться лицами с ограниченными физическими, сенсорными или умственными возможностями, или лицами, не имеющими опыта и знаний.
- Этот прибор ни при каких обстоятельствах не должен использоваться детьми.
- Держите устройство и его шнур питания в недоступном для детей месте.
- **ПРЕДУПРЕЖДЕНИЕ:** ВСЕГДА выключите устройство и отключите розетку от розетки перед очисткой, обслуживанием или хранением.

Специальные правила безопасности

- Используйте устройство только в соответствии с руководством. Только для внутреннего использования.
- Устройство должно устанавливаться и эксплуатироваться только квалифицированным персоналом кухни на предприятиях общественного питания, таких как кейтеринг, рестораны, бары и т. п.
- Все работы по техническому обслуживанию, монтажу и ремонту должны выполняться квалифицированными, уполномоченными техническими специалистами.
- Храните вдали от горячих поверхностей и открытого огня. Установите устройство на ровную, стабильную, чистую и сухую поверхность, стойкую к высоким температурам.
- При необходимости, при работе с этим устройством, используйте защитную одежду, маски или защитные очки.
- Устройство не предназначено для обслуживания с помощью внешнего таймера или отдельного пульта дистанционного управления.
- **ПРЕДУПРЕЖДЕНИЕ:** Не закрывайте вентиляционные отверстия устройства.
- **ПРЕДУПРЕЖДЕНИЕ:** При использовании устройства помните, чтобы не класть руки или кухонные приборы в контейнер, тем самым уменьшая риск серьезной травмы и/или повреждения блендера.
- Для избежания риска, обеспечьте пространство около 20 см вокруг устройства.
- **Внимание!** Правильно прокладывайте и закрепляйте шнур питания, чтобы предотвратить случайное вытягивание или контакт с вращающимся ножом.
- Не погружайте съемную насадку в контейнер с водой или другой жидкостью, если её уровень не превышает 5 см.
- Не используйте устройство в течение длительного времени, чтобы избежать перегрева двигателя. Устройство не должно работать непрерывно более 3 минут. Устройство можно использовать повторно после охлаждения.


- Не используйте устройство, если съемная насадка не была помещена в контейнер.
- Не прикасайтесь к лезвию или другим движущимся частям во время работы устройства. Не прикасайтесь к движущимся частям руками или кухонными приборами во время работы устройства; завяжите волосы.
- Не мойте устройство водой или сильной струей. При мойке устройства вода может попасть в электрические детали и вызвать поражение электрическим током. Части устройства нельзя мыть в посудомоечной машине.
- Чтобы не повредить шнур питания, не сжимайте, не сгибайте и не перевешивайте через острые края. Держите шнур питания подальше от горячих поверхностей и открытого пламени. Не приближайте вращающихся ножей устройства к шнуру питания.
- Проложите шнур питания так, чтобы случайно его не вытянуть или о него не споткнуться.
- Не чистите и не помещайте устройство на хранение, пока оно полностью не остынет.
- **Опасность травмы!** Будьте осторожны при удалении острых ножей и при чистке устройства
-  Блендер – это устройство II класса защиты.

Предполагаемое использование

- Устройство предназначено для профессионального использования.
- Этот прибор предназначен только для измельчения, перемешивания, затирания и приготовления пюре с подходящими мягкими продуктами в контейнере. Использование устройства для любых других целей может привести к повреждению или травме тела.
- Использование устройства для любых других целей будет рассматриваться, как использование не по назначению.

RU

Основные части устройства

1. Кнопка N/OFF  : Нажмите и придержите, чтобы устройство работало непрерывно. Отпустите кнопку, чтобы остановить работу устройства.
2. Увеличение скорости вращения: Увеличьте скорость оборотов - от значения 1 до 6
3. Уменьшение скорости вращения: Уменьшайте скорость оборотов – от значения 1 до 6
4. ЖК-дисплей: на дисплее отображается текущая скорость оборотов
5. Ручка
6. Вентиляционные отверстия
7. Съемная насадка
8. Нож
9. Защита ножа
10. Корпус (с двигателем)



Подготовка перед первым использованием

- Снимите и удалите упаковку и защиты.
- Проверьте комплектность устройства и возможные повреждения, полученные во время транспортировки. В случае неполной поставки или повреждений, немедленно свяжитесь с поставщиком. В случае неполной поставки или повреждений, НЕ пользуйтесь устройством. (Смотри ==> Гарантия).
- Очистите устройство (Смотри ==> Очистка и техническое обслуживание).
- Убедитесь, что устройство полностью сухое.
- Подготовьте ингредиенты.

Перед использованием

- Внимательно ознакомьтесь с содержанием руководства перед использованием устройства.
- Убедитесь, что устройство установлено в сухом месте и что никакие предметы не мешают его работе.
- Убедитесь, что спецификация устройства на щитке соответствует параметрам электрической розетки, к которой вы собираетесь подключить устройство.
- Убедитесь, что съемная насадка (7) правильно установлена на корпусе с двигателем (10).

Транспорт

- Не перемещайте устройство во время его работы. Перед перемещением устройства в другое место всегда отсоединяйте его от электрической розетки.
- При переноске удерживайте устройство за ручку.

RU

Обслуживание

Всегда соблюдайте следующие правила техники безопасности!

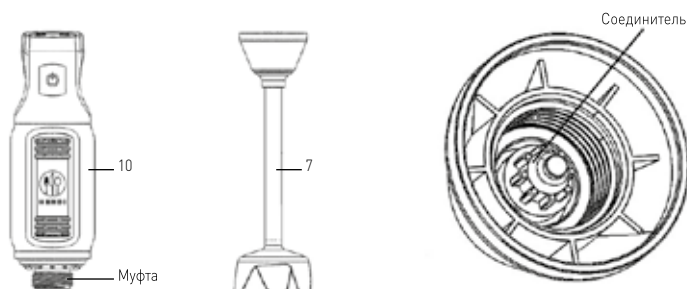
- Перед присоединением съемной насадки (7) к корпусу обязательно убедитесь, что устройство отключено от источника питания.
- Никогда не кладывайте руки в контейнер для продуктов питания (не входит в комплект к устройству). Для смешивания всегда используйте лопатки (деревянные или пластиковые); лопатки используйте только тогда, когда устройство не работает.
- Не пользуйтесь устройством, когда контейнер пустой или для смешивания твердой пищи, горячей жидкости, твердого теста и т.п., чтобы предотвратить перегрев блендера.
- **ПРЕДУПРЕЖДЕНИЕ!** Отсоедините шнур питания сразу же после использования устройства.



Установка / снятие насадок

Установка / снятие насадок устройства следует проводить, когда устройство выключено и отключено от сети питания.

Корпус (10) и насадка (7):



Разборка:

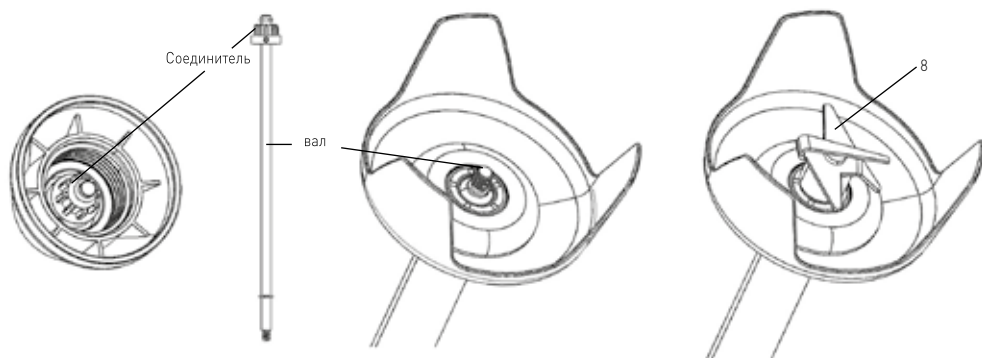
1. Удерживая корпус (10), крутить насадку (7) по часовой стрелке до полного отсоединения.

Сборка:

1. Совместить соединитель насадки (7) с муфтой корпуса (10).
2. Крутить насадку (7) против часовой стрелки до полной затяжки.

Насадка (7) и нож (8):

ВНИМАНИЕ! При разборке надевайте защитные перчатки (не поставляются в комплекте).



Разборка:

1. Удерживая соединитель насадки (7), крутить нож (8) против часовой стрелки до полного отсоединения.
2. Удерживая насадку (7), вытащить вал.

Сборка:

1. Вставить вал в насадку (7) до полного введения.
2. Удерживая соединитель насадки (7), крутить нож по часовой стрелке до полной затяжки.

RU



Устройство подходит для	<ul style="list-style-type: none"> • Смешивания соков или шейков. • Смешивания мягкой пищи (например, теста для блинов или майонеза). • Измельчения овощей для приготовления супов (например, морковного супа и т.п.)
Подготовка	<ul style="list-style-type: none"> • Очистите или отрежьте ненужные фрагменты пищевых ингредиентов; разрежьте овощи / фрукты на мелкие кусочки. • Поместите продукты в подходящий контейнер емкостью от 1 до 4 литров.
Максимальное непрерывное рабочее время	3 минут - более продолжительная работа может привести к перегреву двигателя. Перед повторным включением дать двигателю остыть.

- После подключения устройства к электрической розетке на ЖК-дисплее (4) появится значение „3”.
- Поместите съемную насадку (7) в контейнер для пищевых продуктов (не прилагается к устройству). Перед запуском устройства погрузите весь нож (8) в ингредиенты, помещенные в контейнер.
ПРИМЕЧАНИЕ. Никогда не погружайте съемную насадку (7) выше отмеченного максимального уровня.
- Крепко удерживайте корпус устройства (10) одной рукой, а другой придерживайте контейнер.
- Нажмите и придержите кнопку ON/OFF (1) - устройство будет работать непрерывно.
- Аккуратно перемещайте устройство вверх и вниз, чтобы равномерно перемешать ингредиенты.
- Чтобы предотвратить разбрызгивание смеси, не вынимайте насадки блендера во время работы устройства.
- Выбрать скорость при помощи кнопок + (2) или - (3) во время работы устройства (диапазон скоростей: от 1 до 6). На ЖК-дисплее (4) отображается выбранная скорость оборотов.
- Примечание. Нет необходимости одновременно нажимать кнопку ON/OFF (1) при выборе скорости оборотов.
- После окончания работы отпустите кнопку ON / OFF (1) и устройство выключится. - Подождите, пока ножи (8) не остановятся. Отключите устройство от источника питания, вынимая вилку из розетки.
- Поверните корпус (10) против часовой стрелки, пока насадка (7) не отсоединится. Вымойте насадку блендера.

Внимание:

1. Нажмите и удерживайте кнопку «-» (2) или увеличьте «+» (3) для быстрой установки желаемых значений.
2. Скорость вращения ножей по умолчанию является скоростью „3”.

Очистка и техническое обслуживание

Замечание: Перед чисткой и отсоединением съемной насадки (7) всегда выключайте устройство из розетки и дайте ему полностью остыть.

Очистка

- Удалите все ненужные предметы, находящиеся рядом с ножом.
- Поместите насадку и наконечник в подходящий сосуд, наполненный чистой водой и включите устройство на несколько секунд. Не погружайте насадку в воду или другую жидкость выше **максимального** уровня.
- Никогда не погружайте двигатель или ручку в резервуар с водой - чистите детали влажной тканью или губкой.

ПРЕДУПРЕЖДЕНИЕ. После мытья всегда тщательно сушите лезвия, чтобы избежать ржавчины.



Рекомендуемый метод очистки устройства:

Детали	Очистка	Частота
Корпус (с двигателем) (10)	<ul style="list-style-type: none"> Никогда не погружайте детали в воде или другой жидкости. Протрите влажной тканью с моющим средством, дезинфицируйте и тщательно высушите корпус. 	Мойте после каждого использования.
Съемная насадка (7)	<ul style="list-style-type: none"> Мойте теплой водой с мягким моющим средством. Никогда не погружайте съемную насадку (7) выше отмеченного максимального уровня. Тщательно высушите все детали перед повторным использованием. 	
Нож (8)	<ul style="list-style-type: none"> Внимание! Опасность травмирования! Будьте очень осторожны при чистке ножей. Промойте теплой водой и мягким моющим средством. После очистки тщательно осушите. 	

Хранение

- Перед помещением на хранение, убедитесь, что устройство отключено от сети и полностью остыло.
- Храните устройство в холодном, чистом и сухом месте, недоступном для детей.

Поиск и устранение неисправностей

Если устройство не работает должным образом, обратитесь к приведенной ниже таблице, чтобы найти правильное решение. Если вы не можете решить проблему, обратитесь к поставщику.

Проблема	Возможная причина	Возможное решение
Устройство не включается.	Вилка неправильно подключена к источнику питания.	Проверьте, правильно ли вилка подключена к источнику питания.
	Не нажата кнопка ON/OFF (1).	Чтобы запустить устройство, нажмите и придержите кнопку ON/OFF (1).
Устройство производит нестандартные звуки при смешивании пищевых продуктов.	Съемная насадка (7) неправильно подсоединена.	Отсоедините и снова подсоедините съемную насадку (7).
Устройство не работает.	Включилась защита от перегрева.	Подождите, пока устройство остынет перед очередным запуском.
Устройство перегрелось.	Слишком долгое время работало устройство	Отпустите кнопку ON / OFF и отсоедините устройство от источника питания; подождите 10 минут, пока двигатель остынет.

RU

Техническая характеристика

№ продукта: 222157

Рабочее напряжение и частота: 230В~ / 50Гц

Потребляемая мощность: 250Вт

Степень защиты: II Класс



Класс влагозащиты: IP23

Размеры: прим. 71 x 71 x (выс.) 444 мм

Вес нетто: прим. 1,6 кг

Скорость вращения (об./мин): прим. 6,600 до 13,500

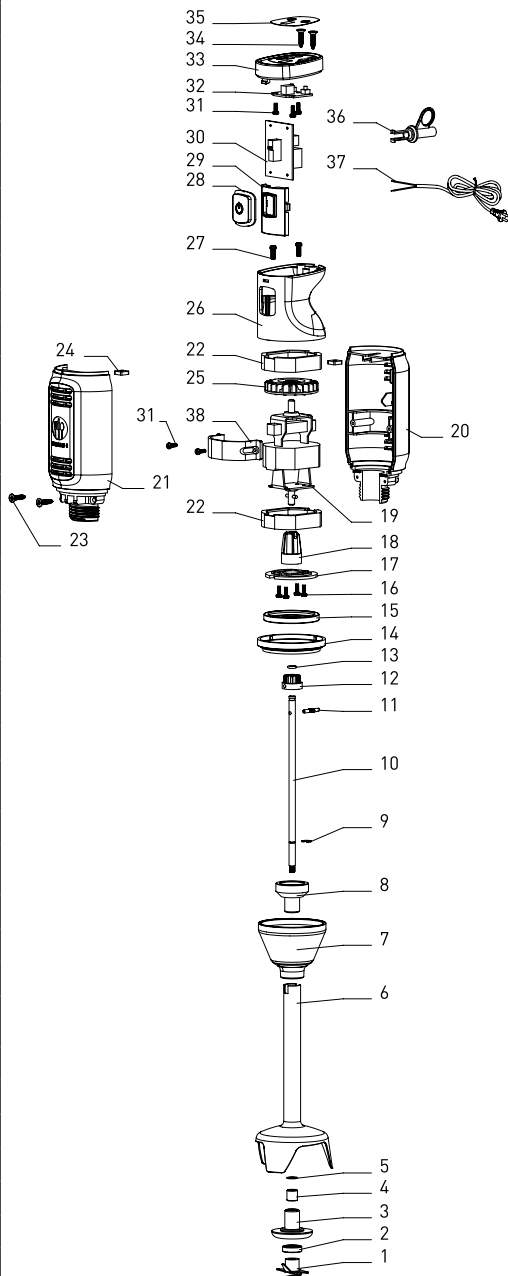
Уровень шума: < 85дБ(А)

Внимание: Техническая характеристика может быть изменена без предварительного уведомления.

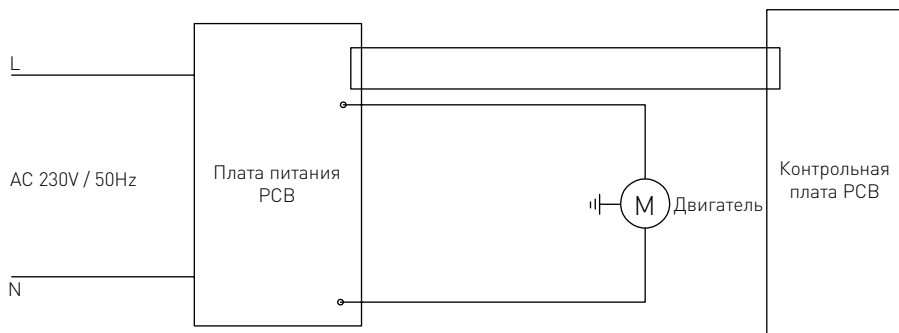


Список деталей для модели 222157

№ детали	Название детали	Количество
1	Блок титановых лопастей	1
2	Уплотнительное кольцо лопастного вала	1
3	Крепление втулки	1
4	Подшипник	1
5	Стальное кольцо	1
6	Вал	1
7	Головка вала	1
8	Монтаж крышки вала	1
9	Е-образное кольцо	1
10	Лопастной вал	1
11	Штифт вала лезвия	1
12	Шлицевой вал	1
13	Антивибрационное уплотнительное кольцо	1
14	Кольцо с покрытием	1
15	Антивибрационное кольцо для мотора	1
16	Винт для мотора	4
17	Пластина крепления мотора	1
18	Шлицевой стакан	1
19	Мотор	1
20	Правый отсек	1
21	Левый отсек	1
22	Поглощающее покрытие двигателя	2
23	Монтажные винты двигателя	2
24	Монтажная гайка для левой и правой частей кожуха	2
25	Вентилятор двигателя	1
26	Верхний отсек	1
27	Монтажный винт для всех кожухов	2
28	Резиновая прокладка кнопки выключения	1
29	Шпонка крепления рамы	1
30	Силовая плата	1
31	Монтажные винты	5
32	Плата управления	1
33	Верхняя крышка	1
34	Монтажный винт верхнего кожуха	2
35	Контрольная наклейка	1
36	Разгрузочная муфта	1
37	Кабель питания с штекером	1
38	Рама крепления мотора	1



Электрическая схема



Гарантия

Любая неподелка или поломка, которая влечет за собой неправильную работу устройства, которая будет выявлена в течение первого года от даты покупки, будет устранена бесплатно, или же все устройство будет заменено новым, если оно эксплуатировалось и обслуживалось согласно инструкции по обслуживанию и не использовалось неправильно, или в разрез с назначением. Данное положение ни коей мере не нарушает иных прав потребителя, изложенных в законо-

дательстве. В случае заявления устройства в ремонт или на замену в рамках гарантии, следует указать место и дату покупки устройства и приложить счет, или чековую квитанцию.

Согласно нашей политике совершенствования наших продуктов оставляем за собой право на ввод изменений в конструкцию, упаковку и в технические параметры, указываемые в технической документации без предупреждения.

RU

Утилизация и защита окружающей среды

В случае вывода оборудования из эксплуатации, продукт нельзя утилизировать вместе с другими бытовыми отходами. Пользователь несет ответственность за передачу оборудования в соответствующий пункт приёма техники бывшей в употреблении. Несоблюдение вышеуказанного положения может привести к наложению штрафов в соответствии с действующими правилами в отношении утилизации отходов. Селективный сбор и утилизация использованного оборудования способствуют сохранению природных ресурсов и обеспечивают рециркуляцию таким

образом, который не вреден для здоровья и окружающей среды.

Для получения дополнительной информации о том, где можно отдать использованное оборудование для утилизации, обратитесь в местную компанию по сбору отходов. Производитель и импортер не несут ответственности за рециркуляцию и переработку отходов экологически безопасным способом, как непосредственно, так и в рамках государственной системы.



Σας ευχαριστούμε για την αγορά αυτής της συσκευής HENDI. Διαβάστε προσεκτικά αυτό το εγχειρίδιο, δίνοντας ιδιαίτερη προσοχή στους κανονισμούς ασφαλείας που περιγράφονται παρακάτω, πριν εγκαταστήσετε και χρησιμοποιήσετε αυτή τη συσκευή για πρώτη φορά.

Κανονισμοί ασφαλείας


- Η συσκευή είναι για επαγγελματική χρήση.
- Χρησιμοποιείτε μόνο τη συσκευή για τον επιδιωκόμενο σκοπό για τον οποίο σχεδιάστηκε όπως περιγράφεται στο παρόν εγχειρίδιο.
- Ο κατασκευαστής δεν ευθύνεται για τυχόν ζημιές που προκαλούνται από λανθασμένη λειτουργία και ακατάλληλη χρήση.
- Κρατήστε τη συσκευή και το ηλεκτρικό βύσμα μακριά από νερό και άλλα υγρά. Σε περίπτωση που η συσκευή πέσει στο νερό, αφαιρέστε αμέσως το βύσμα τροφοδοσίας από την πρίζα. Μην χρησιμοποιείτε τη συσκευή μέχρι να ελεγχθεί από πιστοποιημένο τεχνικό. Η μη τήρηση αυτών των οδηγιών θα προκαλέσει απειλητικούς κινδύνους για τη ζωή.
- Ποτέ μην επιχειρήσετε να ανοίξετε μόνοι σας το περίβλημα της συσκευής.
- Μην εισάγετε αντικείμενα στο περίβλημα της συσκευής.
- Μην αγγίζετε το βύσμα με βρεγμένα ή υγρά χέρια.
- ⚡ **Κίνδυνος ηλεκτροπληξίας!** Μην επιχειρήσετε να επισκευάσετε τη συσκευή μόνοι σας, οι επισκευές πρέπει να πραγματοποιούνται μόνο από εξειδικευμένο προσωπικό.
- **Ποτέ μην χρησιμοποιείτε μια κατεστραμμένη συσκευή!** Όταν είναι κατεστραμμένο, αποσυνδέστε τη συσκευή από την πρίζα και επικοινωνήστε με το κατάστημα λιανικής πώλησης.
- **Προειδοποίηση!** Μην βυθίζετε τα ηλεκτρικά μέρη της συσκευής σε νερό ή άλλα υγρά.
- Ποτέ μην κρατάτε τη συσκευή κάτω από τρεχούμενο νερό.
- Ελέγχετε τακτικά το βύσμα τροφοδοσίας και το καλώδιο για τυχόν ζημιές. Σε περίπτωση βλάβης, πρέπει να αντικατασταθεί από αντιπρόσωπο εξυπηρέτησης ή με παρόμοια προσόντα, ώστε να αποφεύγεται ο κίνδυνος ή ο τραυματισμός.
- Βεβαιωθείτε ότι το καλώδιο δεν έρχεται σε επαφή με αιχμηρά ή ζεστά αντικείμενα και κρατήστε το μακριά από ανοιχτή φωτιά. Μην τραβάτε ποτέ το καλώδιο τροφοδοσίας για να το αποσυνδέσετε από την πρίζα, πάντα τραβάτε το βύσμα.
- Βεβαιωθείτε ότι το καλώδιο τροφοδοσίας ή/και το καλώδιο προέκτασης δεν προκαλούν κίνδυνο διαφυγής.
- Μην αφήνετε ποτέ τη συσκευή αφύλακτη κατά τη χρήση.
- **Προειδοποίηση!** Όσο το βύσμα βρίσκεται στην πρίζα, η συσκευή είναι συνδεδεμένη με την πηγή τροφοδοσίας.
- Απενεργοποιήστε τη συσκευή πριν την αποσυνδέσετε από την πρίζα.
- Συνδέστε το βύσμα ρεύματος σε μια εύκολα προσβάσιμη πρίζα, ώστε σε περίπτωση ανάγκης να αποσυνδεθεί αμέσως η συσκευή.
- Ποτέ μην μεταφέρετε τη συσκευή από το καλώδιο.
- Μην χρησιμοποιείτε επιπλέον συσκευές που δεν παρέχονται μαζί με τη συσκευή.

- Συνδέστε τη συσκευή μόνο σε πρίζα με την τάση και τη συχνότητα που αναφέρονται στην ετικέτα της συσκευής.
- Ποτέ μην χρησιμοποιείτε εξαρτήματα εκτός από αυτά που συνιστώνται από τον κατασκευαστή. Εάν δεν γίνει κάτι τέτοιο, θα μπορούσε να αποτελέσει κίνδυνο για την ασφάλεια του χρήστη και θα μπορούσε να προκαλέσει βλάβη στη συσκευή. Χρησιμοποιείτε μόνο αυθεντικά εξαρτήματα και αξεσουάρ.
- Η συσκευή αυτή δεν πρέπει να λειτουργεί από άτομα με μειωμένες σωματικές, αισθητηριακές ή διανοητικές ικανότητες ή άτομα με έλλειψη εμπειρίας και γνώσης.
- Αυτή η συσκευή δεν πρέπει, σε καμία περίπτωση, να χρησιμοποιείται από παιδιά.
- Κρατήστε τη συσκευή και το καλώδιο τροφοδοσίας μακριά από παιδιά.
- **ΠΡΟΕΙΔΟΠΟΙΗΣΗ:** Πάντα απενεργοποιείτε τη συσκευή και αποσυνδέστε την πρίζα πριν από τον καθαρισμό, τη συντήρηση ή την αποθήκευση.

Ειδικό Κανονισμοί Ασφαλείας

- Χρησιμοποιείτε τη συσκευή μόνο όπως περιγράφεται στο παρόν εγχειρίδιο. Για χρήση μόνο σε εσωτερικό χώρο.
- Η συσκευή πρέπει να χρησιμοποιείται και να τοποθετείται από εξειδικευμένο, εκπαιδευμένο προσωπικό κουζινών του κλάδου της εστίασης, όπως υπηρεσίες τροφοδοσίας, εστιατόρια, μπαρ κλπ.
- Όλες οι εργασίες συντήρησης, εγκατάστασης και επισκευής πρέπει να εκτελούνται από εξειδικευμένους εξουσιοδοτημένους τεχνικούς.
- Διατηρείτε τη συσκευή μακριά από θερμές επιφάνειες και ανοικτές φλόγες. Χρησιμοποιείτε πάντα τη συσκευή σε επίπεδη, σταθερή, καθαρή, στεγνή και ανθεκτική στη θερμότητα επιφάνεια.
- Κατά τη διάρκεια λειτουργίας της συσκευής, να φοράτε προστατευτική ενδυμασία, μάσκα ή προστατευτικά γυαλιά.
- Η συσκευή δεν προορίζεται για λειτουργία μέσω εξωτερικού χρονοδιακόπτη ή ξεχωριστού συστήματος τηλεχειρισμού.
- **ΠΡΟΕΙΔΟΠΟΙΗΣΗ:** Απομακρύνετε όλα τα εμπόδια γύρω από όλα τα ανοίγματα εξαερισμού της συσκευής.
- **ΠΡΟΕΙΔΟΠΟΙΗΣΗ:** Κατά τη διάρκεια της λειτουργίας, διατηρείτε τα χέρια σας και άλλα αντικείμενα μακριά από το δοχείο για να μειώσετε τον κίνδυνο σοβαρού τραυματισμού ή/και βλάβης του μπλέντερ.
- Αφήστε τουλάχιστον 20 cm ελεύθερο χώρο γύρω από τη συσκευή για την αποφυγή οποιουδήποτε κινδύνου.
- **Προσοχή!** Στερεώστε, εάν είναι απαραίτητο, το καλώδιο τροφοδοσίας για να αποφύγετε τυχόν ακούσιο τράβηγμα ή επαφή με τις κινούμενες λεπίδες.
- Το νερό ή άλλο υγρό μέσα στο οποίο βυθίζετε ο άξονας πρέπει να έχει ύψος τουλάχιστον 5 cm.
- Μην χρησιμοποιείτε τη συσκευή συνεχόμενα για πολλή ώρα για την αποφυγή υπερθέρμανσης του κινητήρα. Ο χρόνος συνεχούς λειτουργίας δεν πρέπει να υπερβαίνει τα 3 λεπτά. Χρησιμοποιήστε ξανά την συσκευή μόνο αφού κρυώσει.




- Μην χρησιμοποιείτε τη συσκευή εκτός του δοχείου.
- Μην αγγίζετε τις λεπίδες, το προστατευτικό λεπίδων και τα κινούμενα μέρη. Διατηρείτε δάχτυλα, μαλλιά, ρούχα και σκεύη μακριά από όλα τα κινούμενα μέρη.
- Μην πλένετε τη συσκευή με νερό ή εκτοξευτήρα νερού. Το πλύσιμο με νερό μπορεί να προκαλέσει διαρροές και να αυξήσει τον κίνδυνο ηλεκτροπληξίας. Τα εξαρτήματα δεν είναι κατάλληλα για πλυντήριο πιάτων.
- Για να αποφύγετε τη φθορά του καλώδιου, μην πιέζετε, κάμπτετε ή γδέρνετε το καλώδιο σε αιχμηρά άκρα. Διατηρείτε τη συσκευή μακριά από θερμές επιφάνειες και ανοικτές φλόγες. Μην αφήνετε τις περιστρεφόμενες λεπίδες να έρχονται σε επαφή με το καλώδιο τροφοδοσίας.
- Τοποθετήστε το καλώδιο τροφοδοσίας με τέτοιο τρόπο ώστε να μην είναι δυνατό ακούσιο τράβηγμα ή απενεργοποίηση.
- Μην καθαρίζετε ή αποθηκεύετε τη συσκευή εάν δεν έχει κρυώσει πλήρως.
- **Κίνδυνος τραυματισμού!** Κατά τον καθαρισμό, πρέπει να προσέχετε όταν χειρίζεστε τις αιχμηρές λεπίδες κοπής
-  Η συσκευή αυτή ταξινομείται στην κατηγορία προστασίας II.

Προβλεπόμενη χρήση

- Η συσκευή προορίζεται για επαγγελματική χρήση.
- Αυτή η συσκευή προορίζεται μόνο για σύνθλιψη, ανάμιξη, πολτοποιήση και παρασκευή πουρέ με το κατάλληλα μαλακό τρόφιμο στο δοχείο. Οποιαδήποτε άλλη χρήση μπορεί να προκαλέσει ζημιά στη συσκευή ή τραυματισμό.
- Η χρήση της συσκευής για οποιονδήποτε άλλο σκοπό θεωρείται εσφαλμένη. Ο χρήστης είναι αποκλειστικά υπεύθυνος για την μη.

GR

Βασικά εξαρτήματα της συσκευής

1. Διακόπτης ON/OFF : Πιέστε παρατεταμένα για συνεχή λειτουργία. Αφήστε το κουμπί για διακοπή της λειτουργίας
2. Αύξηση ταχύτητας + :
3. Μείωση ταχύτητας - :
4. Οθόνη LCD: Εμφάνιση της ρύθμισης ταχύτητας
5. Λαβή
6. Οπές εξαερισμού
7. Αποσπώμενος άξονας ανάμιξης
8. Λεπίδα
9. Προστατευτικό λεπίδων
10. Κύρια μονάδα με κινητήρα



Προετοιμασία πριν από τη λειτουργία

- Αφαιρέστε κάθε προστατευτική συσκευασία.
- Ελέγξτε εάν η συσκευή είναι πλήρης και για τυχόν ζημιές κατά τη μεταφορά. Σε περίπτωση μη ολοκληρωμένης παράδοσης ή ζημιών, επικοινωνήστε με τον προμηθευτή. ΜΗΝ χρησιμοποιήσετε τη συσκευή. (Βλ. ==> Εγγύηση).
- Καθαρίστε τη συσκευή πριν από τη χρήση (Βλ. ==> Καθαρισμός και συντήρηση).
- Βεβαιωθείτε ότι η συσκευή είναι τελειώς στεγνή.
- Προετοιμασία των υλικών για επεξεργασία.

Πριν τη λειτουργία

- Διαβάστε προσεκτικά το παρόν εγχειρίδιο πριν λειτουργήσετε τη συσκευή.
- Τοποθετήστε τη συσκευή σε στεγνό χώρο, χωρίς εμπόδια για τη χρήση της.
- Βεβαιωθείτε ότι η τροφοδοσία ρεύματος αντιστοιχεί με την ετικέτα βαθμονόμησης της συσκευής.
- Βεβαιωθείτε ότι ο άξονας ανάμειξης (7) είναι σταθερά τοποθετημένος στην κύρια μονάδα με κινητήρα (10).

Μεταφορά

- Μην μετακινείτε τη συσκευή ενώ λειτουργεί. Αποσυνδέετε τη συσκευή από τη πρίζα πριν την μεταφέρετε.
- Κρατάτε τη συσκευή από τη λαβή όταν την μετακινείτε.

Λειτουργία

Τηρείτε πάντα τις ακόλουθες συμβουλές ασφαλείας!

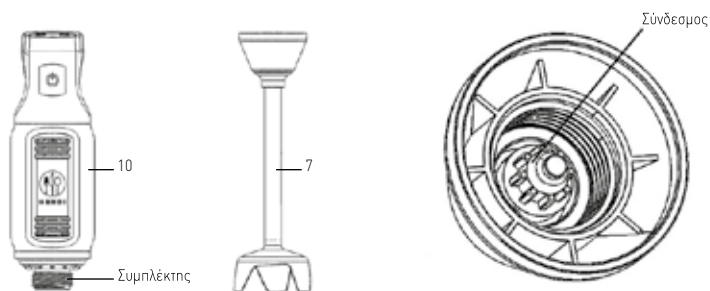
- Πριν αφαιρέσετε τον άξονα ανάμειξης (7), βεβαιωθείτε ότι η συσκευή είναι αποσυνδεδεμένη από την τροφοδοσία ρεύματος.
- Μην βάζετε ποτέ τα χέρια σας μέσα στο δοχείο τροφίμων (δεν παρέχεται). Χρησιμοποιείτε πάντα ξύλινες ή πλαστικές σπάτουλες και μόνο όταν η συσκευή δεν λειτουργεί.
- Μην χρησιμοποιείτε τη συσκευή χωρίς να έχετε τοποθετήσει τρόφιμα μέσα στο δοχείο ή με σκληρά τρόφιμα, ζεστά υγρά, κλπ για την αποφυγή υπερθέρμανσης.
- **ΠΡΟΕΙΔΟΠΟΙΗΣΗ!** Αποσυνδέετε τη συσκευή αμέσως μετά τη χρήση.



Συναρμολόγηση/Αποσυναρμολόγηση εξαρτημάτων

Πριν από εργασίες συναρμολόγησης/αποσυναρμολόγησης, η συσκευή πρέπει να απενεργοποιείται και να αποσυνδέεται από την παροχή ρεύματος.

Κύρια μονάδα (10) και Άξονας ανάμειξης (7):



Αποσυναρμολόγηση:

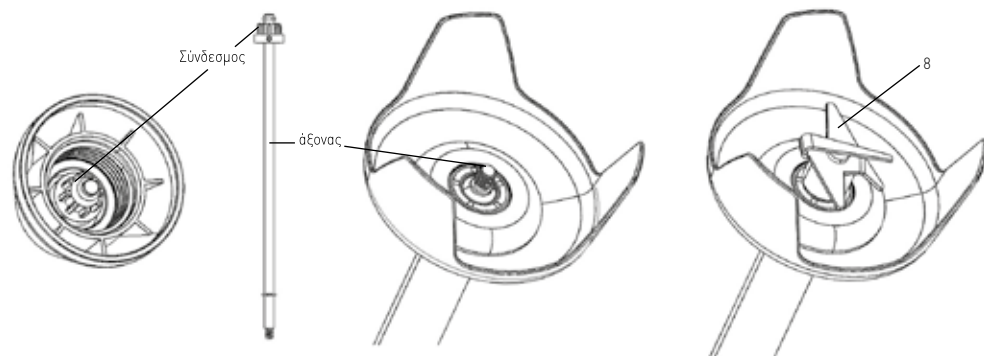
1. Κρατήστε την κύρια μονάδα (10) και βιδώστε τον άξονα ανάμειξης (7) δεξιόστροφα έως ότου αποκολληθεί πλήρως.

Συναρμολόγηση:

1. Ευθυγραμμίστε τον άξονα ανάμειξης (7) με τον συμπλέκτη της κύριας μονάδας (10).
2. Βιδώστε τον Άξονα ανάμειξης (7) αριστερόστροφα μέχρι να σφίξει πλήρως.

Άξονας ανάμειξης (7) και λεπίδα (8):

ΠΡΟΣΟΧΗ! Παρακαλούμε φορέστε προστατευτικά γάντια κατά την αποσυναρμολόγηση (δεν περιλαμβάνονται)



Αποσυναρμολόγηση:

1. Κρατήστε το σώμα του άξονα ανάμειξης (7) και ξεβιδώστε τη λεπίδα (8) αριστερόστροφα μέχρι να αφαιρεθεί πλήρως.
2. Κρατήστε το τμήμα ανάμειξης (7) και τραβήξτε έξω τον άξονα.

Συναρμολόγηση:

1. Τοποθετήστε τον άξονα στο τμήμα ανάμειξης (7) μέχρι να εισαχθεί πλήρως.
2. Κρατήστε το τμήμα ανάμειξης (7) και βιδώστε τη λεπίδα δεξιόστροφα μέχρι να σφίξει πλήρως.

Κατάλληλο για:	<ul style="list-style-type: none"> • Δημιουργία χυμών και ροφημάτων • Ανάμειξη μαλακών συστατικών (π.χ. μίγμα για τηγανίτες ή μαγιονέζα). • Ανάμειξη λαχανικών για δημιουργία σούπας (π.χ. καρότα κλπ)
Προετοιμασία:	<ul style="list-style-type: none"> • Ξεφλουδίστε το υλικό και κόψτε το σε μικρά κομμάτια. • Τοποθετήστε το υλικό σε κατάλληλο δοχείο χωρητικότητας 1 ~ 4 λίτρων.
Μέγιστος χρόνος συνεχούς λειτουργίας	3 λεπτά για την αποφυγή υπερθέρμανσης του κινητήρα. Χρησιμοποιήστε τη συσκευή αφού κρυώσει.

- Μόλις συνδέσετε τη συσκευή στην πρίζα, στην οθόνη LCD (4) εμφανίζεται η ένδειξη «3».
- Χαμηλώστε τον άξονα ανάμειξης (7) στο δοχείο τροφίμων (δεν παρέχεται). Τοποθετήστε πλήρως μέσα στο υλικό τη λεπίδα (8) πριν ξεκινήσετε τη λειτουργία της συσκευής.
ΠΡΟΣΟΧΗ: Μην ανυψώνετε τον άξονα ανάμειξης (7) πάνω από την ένδειξη **Max**.
- Κρατήστε σταθερά με το ένα χέρι την κύρια μονάδα (10) και με το άλλο το δοχείο.
- Πιέστε πατημένα το κουμπι ON/OFF (1) και η συσκευή θα αρχίσει να λειτουργεί.
- Με μια αργή κίνηση πάνω-κάτω, αναμείξτε τα συστατικά σας.
- Για να αποφύγετε την εκτίναξη φαγητού, μην αφαιρείτε τη συσκευή από τα υλικά κατά τη διάρκεια της λειτουργίας.
- Επιλέξτε την ταχύτητα των λεπίδων πιέζοντας το πλήκτρο + (2) ή - (3) (εύρος ταχύτητας: 1 έως 6) ενώ λειτουργεί η συσκευή. Η ταχύτητα των λεπίδων θα εμφανιστεί στην οθόνη LCD (4).

Σημείωση: Όταν επιλέγετε την ταχύτητα των λεπίδων, δεν χρειάζεται να πιέξετε ταυτόχρονα το κουμπι ON/OFF (1).

- Όταν ολοκληρώσετε τη λειτουργία, αφήστε το κουμπι ON/OFF (1) για να απενεργοποιήσετε τη συσκευή.
- Περιμένετε έως ότου η λεπίδα (8) σταματήσει να κινείται. Στη συνέχεια, αποσυνδέστε τη συσκευή από την πρίζα.
- Περιστρέψτε δεξιόστροφα την κύρια μονάδα (10) για να αποσυαρμολογήσετε και να καθαρίσετε τον άξονα ανάμειξης (7).

Σημείωση:

1. Πιέστε παρταταμένα το πλήκτρο μείωσης και αύξησης + (2) ή - (3) για γρήγορη ρύθμιση.
2. Η προεπιλεγμένη ταχύτητα των λεπίδων είναι «3».

GR

Καθαρισμός και Συντήρηση

Προσοχή: Να αποσυνδέετε πάντα τη συσκευή από την πρίζα και να την αφήνετε να κρυώνει τελείως πριν καθαρίσετε και αποσυαρμολογήσετε τον άξονα ανάμειξης (7).

Καθαρισμός

- Αφαιρέστε τυχόν υπολείμματα από τη λεπίδα.
- Βυθίστε τον βραχίονα ανάμειξης και τη διάταξη λεπίδων μέσα σε ένα δοχείο με καθαρό νερό και ενεργοποιήστε τη συσκευή για λίγα δευτερόλεπτα. Μην ανυψώνετε τον άξονα πάνω από την ένδειξη **Max**.

- Μην βυθίζετε ποτέ τη μονάδα μοτέρ ή τη λαβή στο νερό. Καθαρίστε τις με ένα υγρό πανί ή σφουγγάρι.
- ΠΡΟΕΙΔΟΠΟΙΗΣΗ:** Στεγνώνετε πάντα τις λεπίδες καλά μετά τον καθαρισμό για να αποφύγετε τη δημιουργία σκουριάς.



Συνιστώμενη διαδικασία καθαρισμού:

Εξαρτήματα	Τρόπος καθαρισμού	Συχνότητα
Κύρια μονάδα με κινητήρα (10)	<ul style="list-style-type: none"> Μην βυθίζετε ποτέ αυτό το εξάρτημα σε νερό ή άλλα υγρά. Χρησιμοποιήστε ένα νωπό πανί με λίγο απορρυπαντικό και νερό. Ξεβγάλτε, καθαρίστε και στεγνώστε καλά. 	Καθαρίζετε μετά από κάθε χρήση
Άξονας ανάμειξης (7)	<ul style="list-style-type: none"> Καθαρίστε με ζεστό νερό και λίγο ήπιο απορρυπαντικό. Μην ανυψώνετε τον αποσπώμενο άξονα ανάμειξης (7) πάνω από την ένδειξη Max. Στεγνώστε όλα τα μέρη πριν χρησιμοποιήσετε ξανά τον άξονα. 	
Λεπίδα (8)	<ul style="list-style-type: none"> Προειδοποίηση! Κίνδυνος τραυματισμού! Προσέχετε ιδιαίτερα κατά τον καθαρισμό των λεπίδων. Καθαρίστε με ζεστό νερό και λίγο ήπιο απορρυπαντικό. Στεγνώστε καλά μετά τον καθαρισμό. 	

Αποθήκευση

- Πριν αποθηκεύσετε την συσκευή, βεβαιωθείτε ότι έχει αποσυνδεθεί από την πρίζα και έχει κρυώσει πλήρως.
- Φυλάξτε τη συσκευή σε δροσερό, καθαρό και ξηρό μέρος και μακριά από τα παιδιά.

Αντιμετώπιση προβλημάτων

Αν η συσκευή δεν λειτουργεί σωστά, συμβουλευτείτε τον παρακάτω πίνακα για πιθανές λύσεις. Αν συνε-

ζίζετε να μην μπορείτε να επιλύσετε το πρόβλημα, επικοινωνήστε με τον προμηθευτή/πάροχο σέρβις.

GR

Προβλήματα	Πιθανές αιτίες	Πιθανή λύση
Η συσκευή δεν ενεργοποιείται	Το φως δεν είναι σωστά συνδεδεμένο σε κατάλληλη πρίζα	Βεβαιωθείτε ότι το φως είναι σωστά συνδεδεμένο σε κατάλληλη πρίζα.
	Δεν έχει πατηθεί το κουμπί ON/OFF (1).	Πιέξτε παρατεταμένα το κουμπί ON/OFF (1) για να ενεργοποιήσετε τη συσκευή.
Αφύσικοι θόρυβοι κατά την επεξεργασία	Ο άξονας ανάμειξης (7) δεν είναι συνδεδεμένος σωστά.	Αποσυναρμολογήστε και συναρμολογήστε ξανά τον άξονα ανάμειξης (7).
Η συσκευή δεν λειτουργεί	Έχει ενεργοποιηθεί η εσωτερική διάταξη υπερθέρμανσης.	Αφήστε τη συσκευή να κρυώσει πριν την χρησιμοποιήσετε ξανά.
Η συσκευή έχει υπερθερμανθεί	Έχει χρησιμοποιηθεί πέραν της επιτρεπόμενης διάρκειας	Απελευθερώστε το κουμπί ON/OFF, αποσυνδέστε τη συσκευή και περιμένετε 10 λεπτά για να κρυώσει ο κινητήρας.

Τεχνικές προδιαγραφές

Αρ. προϊόντος : 222157

Τάση και συχνότητα λειτουργίας: 230V~ / 50Hz

Ονομαστική ισχύς εισόδου: 250W

Κατηγορία προστασίας: Κατηγορία II



Κλάση προστασίας νερού: IP23

Διαστάσεις: περίπου 71 x 71 x (Y) 444 mm

Καθαρό βάρος: περίπου 1,6kg

Ταχύτητα περιστροφής (rpm): περίπου 6,600 έως 13,500

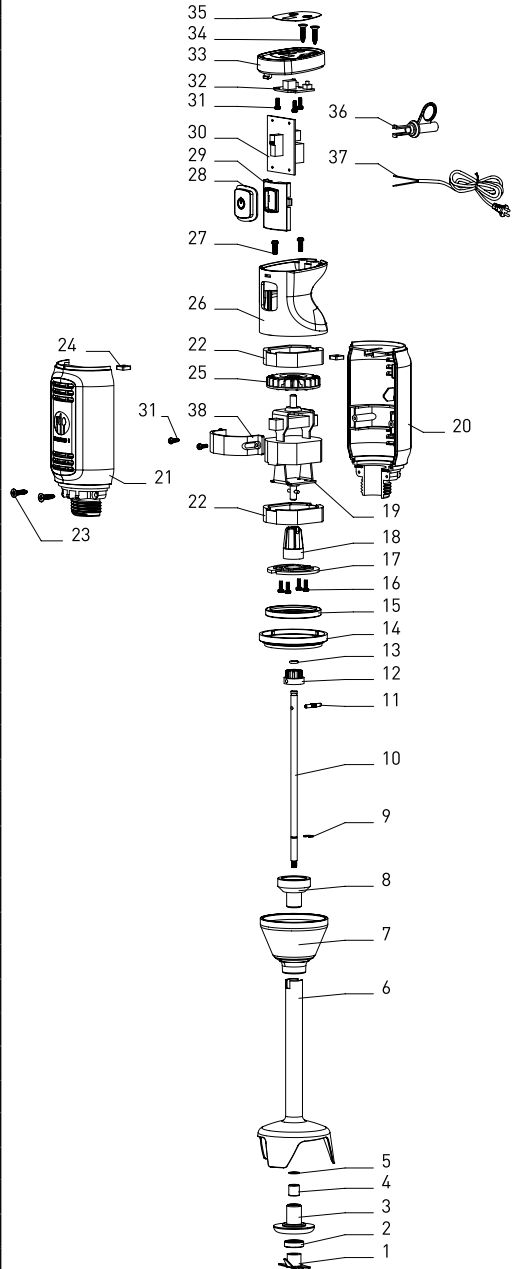
Επίπεδο θορύβου: < 85dB(A)

Σημείωση: Οι τεχνικές προδιαγραφές μπορούν να τροποποιηθούν χωρίς προηγούμενη ειδοποίηση.

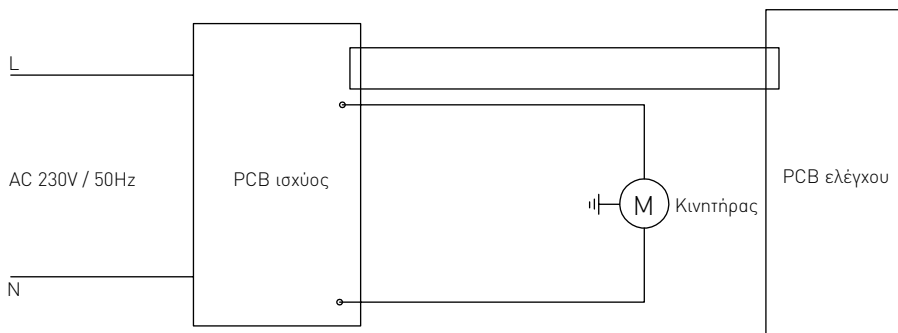


Κατάλογος εξαρτημάτων προϊόντος 222157

Αρ. εξαρτήματος	Όνομα εξαρτήματος	Ποσότητα
1	Διάταξη λάμας τιτανίου	1
2	Δακτύλιος στεγανοποίησης άξονα λεπίδα	1
3	Τοποθέτηση ρουλεμάν	1
4	Ρουλεμάν	1
5	Ατσάλινος δακτύλιος	1
6	Άξονας	1
7	Κεφαλή άξονα	1
8	Κάλυμμα στήριξης άξονα	1
9	Δακτύλιος σε σχήμα E	1
10	Άξονας λεπίδα	1
11	Πείρος άξονα	1
12	Άξονας σφήνας	1
13	Αντικραδασμικός δακτύλιος μόνωσης	1
14	Δακτύλιος με επίστρωση	1
15	Αντικραδασμικός δακτύλιος μοτέρ	1
16	Βίδα μοτέρ	4
17	Πλάκα στερέωσης μοτέρ	1
18	Μανίκι σφήνας	1
19	Μοτέρ	1
20	Δεξί περιβλήμα	1
21	Αριστερό περιβλήμα	1
22	Κάλυμμα απορρόφησης κινητήρα	2
23	Βίδες στήριξης κινητήρα	2
24	Δεξιό και αριστερό παξιμάδι στερέωσης περιβλήματος	2
25	Ανεμιστήρας κινητήρα	1
26	Άνω περιβλήμα	1
27	Βίδες στερέωσης περιβλήματος	2
28	Ελαστικό πλήκτρο ενεργ/ απενεργ	1
29	Πλαίσιο στερέωσης κουμπιού	1
30	Πίνακας τροφοδοσίας	1
31	Βίδες στήριξης	5
32	Πίνακας ελέγχου	1
33	Άνω κάλυμμα	1
34	Βίδα άνω περιβλήματος	2
35	Αυτοκόλλητο ελέγχου	1
36	Απορρόφηση τήσης	1
37	Καλώδιο τροφοδοσίας με φικ	1
38	Πλαίσιο στερέωσης μοτέρ	1



Διάγραμμα κυκλώματος



Εγγύηση

Οποιοδήποτε ελάττωμα επηρεάζει τη λειτουργικότητα της συσκευής που γίνεται προφανές δύο χρόνια μετά την αγορά της, θα διορθώνεται με δωρεάν επισκευή ή αντικατάσταση, αρκεί η συσκευή να έχει χρησιμοποιηθεί και συντηρηθεί σύμφωνα με τις οδηγίες και να μην έχει γίνει κατάχρηση ή λανθασμένη χρήση της με οποιονδήποτε τρόπο. Δε θίγονται τα νόμιμα δικαιώματά σας. Εάν η συσκευή υποστηρίζεται

από εγγύηση, δηλώστε πού και πότε έχει αγοραστεί και συμπεριλάβετε την απόδειξη αγοράς (π.χ. απόδειξη λιανικής πώλησης).

Σύμφωνα με την πολιτική μας για τη συνεχή εξέλιξη των προϊόντων μας, διατηρούμε το δικαίωμα να αλλάξουμε το προϊόν, τη συσκευασία και τις προδιαγραφές τεκμηρίωσής του χωρίς προειδοποίηση.

GR

Απόρριψη & Περιβάλλον

Η συσκευή, μετά το πέρας της διάρκειας ζωής της, δεν πρέπει να απορρίπτεται ως οικιακό απόρριμμα. Πρέπει να απορρίπτεται, με δική σας ευθύνη, σε καθορισμένο σημείο συλλογής. Η μη τήρηση αυτού ενδέχεται να τιμωρείται σύμφωνα με τους ισχύοντες κανονισμούς για τη διάθεση των απορριμμάτων. Η χωριστή συλλογή και ανακύκλωση αυτής της συσκευής κατά τη στιγμή της απόρριψης βοηθά στη διατήρηση των φυσικών πόρων και εξασφαλίζει την ανακύκλωσή της με τρόπο που προστατεύει την ανθρώπινη υγεία και το περιβάλλον.

Για περισσότερες πληροφορίες σχετικά με το πού μπορείτε να απορρίψετε τη συσκευή για ανακύκλωση, επικοινωνήστε με την τοπική εταιρεία συλλογής απορριμμάτων. Οι κατασκευαστές και οι εισαγωγείς δεν αναλαμβάνουν την ευθύνη ανακύκλωσης, επεξεργασίας και οικολογικής διάθεσης, είτε άμεσα είτε μέσω δημόσιου συστήματος.

ΣΕΡΒΙΣ ΕΛΛΑΔΟΣ:

Τηλ.: 213 0 998989 (10 γραμμές)

info@pks-hendi.com



Poštovani kupac,

Hvala vam što ste kupili ovaj Hendi aparat. Pažljivo pročitajte ovaj priručnik, obratite posebnu pozornost na sigurnosne propise navedene u nastavku, prije instalacije i korištenja ovog uređaja po prvi put.

Sigurnosni propisi


- Ovaj je uređaj namijenjen za komercijalnu upotrebu.
- Koristite aparat samo za namjeravanu svrhu za koju je dizajniran kako je opisano u ovom priručniku.
- Proizvođač nije odgovoran za bilo kakvu štetu uzrokovanu pogrešnim radom i nepravilnom uporabom.
- Uređaj i električni utikač držite podalje od vode i drugih tekućina. U slučaju da aparat padne u vodu, odmah izvadite utikač iz utičnice. Ne upotrebljavajte uređaj dok ga ne provjeri certificirani tehničar. Nepoštivanje ovih uputa uzrokovat će rizike opasne po život.
- Nikada ne pokušavajte sami otvoriti kućište aparata.
- Nemojte umetati predmete u kućište uređaja.
- Nemojte dodirivati utikač mokrim ili vlažnim rukama.
- ⚡ **OPASNOST OD STRUJNOG UDARA!** Ne pokušavajte sami popraviti aparat, popravke treba provoditi samo kvalificirano osoblje.
- **Nikada ne koristite oštećeni aparat!** Kada je oštećen, odvojite aparat iz utičnice i obratite se trgovcu.
- **UPOZORENJE!** Nemojte uranjati električne dijelove aparata u vodu ili druge tekućine.
- Nikada ne držite aparat pod tekućom vodom.
- Redovito provjeravajte utikač i kabel za bilo kakvu štetu. Kada je oštećen mora biti zamijenjen servisnim agentom ili slično kvalificiranom osobom kako bi se izbjegla opasnost ili ozljede.
- Pazite da kabel ne dođe u dodir s oštrim ili vrućim predmetima i držite ga podalje od otvorene vatre. Nikada ne povlačite kabel za napajanje da biste ga isključili iz utičnice, umjesto toga uvijek povucite utikač.
- Provjerite da kabel za napajanje i/ili produžni kabel ne uzrokuju opasnost od putovanja.
- Nikada nemojte ostavljati aparat bez nadzora tijekom uporabe.
- **UPOZORENJE!** Sve dok je utikač u utičnici, uređaj je spojen na izvor napajanja.
- Isključite aparat prije isključivanja iz utičnice.
- Priključite utikač na lako dostupnu električnu utičnicu tako da se u slučaju nužde uređaj može odmah isključiti.
- Nikada ne nosite aparat za kabel.
- Nemojte koristiti dodatne uređaje koji nisu isporučeni zajedno s aparatom.
- Priključite uređaj samo na električnu utičnicu s naponom i frekvencijom navedenom na naljepnici uređaja.
- Nikada ne koristite dodatnu opremu osim onih koje preporučuje proizvođač. Ako to ne učinite može predstavljati sigurnosni rizik za korisnika i može oštetiti uređaj. Koristite samo originalne dijelove i pribor.

HR



- Ovim aparatom ne smiju upravljati osobe sa smanjenim fizičkim, osjetilnim ili mentalnim sposobnostima ili osobe koje nemaju iskustva i znanja.
- Ovaj aparat ne smije, ni pod kojim okolnostima, koristiti djeca.
- Uređaj i kabel za napajanje čuvajte izvan dohvata djece.
- **UPOZORENJE:** UVIJEK isključite aparat i isključite iz utičnice prije čišćenja, održavanja ili skladištenja.

Posebni sigurnosni propisi

- Uređaj upotrebljavajte samo na način opisan u ovom priručniku. Samo za uporabu u zatvorenom.
- Uređajem treba upravljati i postavljati stručno osposobljeno osoblje u kuhinji prehrambene industrije kao što je catering, restoran, bar, itd.
- Sve radove oko održavanja, ugradnje i popravke treba obavljati stručno osposobljeni i obučeni tehničari.
- Uređaj držite podalje od vrućih površina i otvorenog plamena. Uvijek rukujte uređajem na ravnoj, stabilnoj, čistoj, otpornoj na toplinu i suhoj površini.
- Nosite zaštitnu odjeću, masku ili zaštitne naočale ako je nužno tijekom rada.
- Uređaj nije predviđen za rad uz pomoć vanjskog tajmera ili odvojenog sustava daljinskog upravljanja.
- **UPOZORENJE:** Pazite da svi ventilacijski otvori na uređaju nisu blokirani.
- **UPOZORENJE:** Tijekom rada, držite ruke i pribor izvan spremnika kako biste smanjili opasnost od teških ozljeda i/ili oštećenja miješalice.
- Ostavite barem 20 cm razmaka oko uređaja da biste izbjegli opasnost.
- **Oprez!** Čvrsto provucite kabel za napajanje ako je potrebno kako bi se spriječilo slučajno povlačenje ili kontakt s pomičnim oštricama noža.
- Ne uranjajte osovinu u vodu ili tekućinu manju od 5 cm.
- Ne rukujte uređajem neprekidno kako biste izbjegli pregrijavanje motora. Vrijeme neprekidnog rada ne smije biti duže od 3 minute. Ponovno rukujte uređajem nakon što se ohladi.
- Stroj nemojte upotrebljavati izvan spremnika.
- Ne dodirujte oštrice, štitnik noža i pokretne dijelove. Držite prste, kosu, odjeću i pribor daleko od pokretnih dijelova.
- Uređaj ne perite vodom ili vodenim mlaznikom. Pranje vodom može uzrokovati curenje i povećati rizik od strujnog udara. Niti jedan dio ne može se prati u perilici posuđa.
- Da ne biste oštetili kabel, nemojte ga stiskati, savijati ili iskakati na oštrim rubovima. Držite ga daleko od vrućih površina i otvorenog plamena. Ne dopustite da rotirajuće oštrice dodirnu kabel za napajanje.
- Kabel za napajanje postavite tako da nije moguće slučajno povlačenje ili spoticanje.
- Nemojte čistiti niti spremati stroj ako se potpuno ne ohladi.
- **Opasnost od ozljede!** Budite oprezni prilikom rukovanja oštrim rezačima tijekom čišćenja.
-  Ovaj uređaj klasificiran je kao zaštitna klasa II.


Namjena

- Ovaj je uređaj namijenjen za profesionalnu upotrebu.
- Uređaj je namijenjen isključivo drobljenju, miješanju, ljuljanju i čišćenju mekih sastojaka u posudi. Svaka druga uporaba može dovesti do ošte-

ćenja uređaja ili osobne ozljede.

- Uporaba uređaja za bilo koju drugu svrhu smatra se pogrešnom uporabom uređaja. Korisnik je isključivo odgovoran za neprimjerenu uporabu uređaja.

Glavni dijelovi uređaja

1. Prekidač za uključivanje/isključivanje : Pritisnite i držite za kontinuirani rad; Otpustite gumb da biste zaustavili rad.
2. Povećajte postavku brzine + :
Povećajte brzinu od 1 do 6
3. Smanjite postavku brzine - :
Smanjite brzinu od 1 do 6
4. LCD zaslon: Za prikaz postavke brzine
5. Drška
6. Ventilacijski otvori
7. Odvojivi dio za miješanje
8. Oštrica
9. Štitnik oštrice
10. Glavna jedinica s motorom



Pripreme prije rada

- Uklonite svu ambalažu i omot.
- Provjerite je li uređaj potpun i je li oštećen tijekom prijevoza. U slučaju nepotpune isporuke ili oštećenja, odmah kontaktirajte dobavljača. NEMOJTE upotrebljavati uređaj. (Pogledajte ==> Jamstvo).

- Očistite uređaj prije uporabe (Pogledajte ==> Čišćenje i održavanje).
- Provjerite je li uređaj potpuno suh.
- Priprema sastojaka hrane za obradu.

HR

Prije rada

- Pažljivo i pažljivo pročitajte ovaj priručnik prije korištenja.
- Provjerite je li uređaj postavljen na suho mjesto bez prepreka za blokiranje rada.

- Provjerite odgovara li napajanje nazivnoj pločici na uređaju.
- Pazite da dio za miješanje (7) bude čvrsto ugrađen s glavnim tijelom s dijelom motora (10).

Prijevoz

- Ne pomičite uređaj dok je u funkciji. Iskopčajte uređaj iz napajanja dok se pomičete na drugo

mjesto.

- Prilikom premještanja držite dio uređaja.

Rad

Pridržavajte se ovih sigurnosnih savjeta cijelo vrijeme!

- Uvijek vodite računa da je uređaj isključen iz električne mreže prije sastavljanja dijela s miješanjem (7).
- Nikad ne stavljajte ruke u spremnik za hranu (nije isporučen). Uvijek upotrebljavajte drvene ili plastične lopatice i samo kada uređaj ne radi.

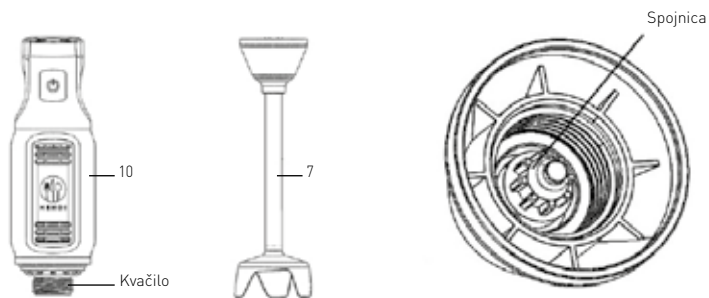
- Ne upotrebljavajte uređaj u kojem nema hrane niti u spremniku koja sadrži tvrde namirnice, vruće tekućine, teško tijesto itd. kako biste spriječili pregrijavanje.
- **UPOZORENJE!** Neposredno nakon uporabe iskopčajte uređaj iz utičnice.



Sastavljanje/rastavljanje nastavaka

Sklopanje/rastavljanje uređaja se vrši kada je uređaj zaustavljen i iskopčan iz električne mreže.

Glavna jedinica (10) i dio za miješanje (7):



Rastavljanje:

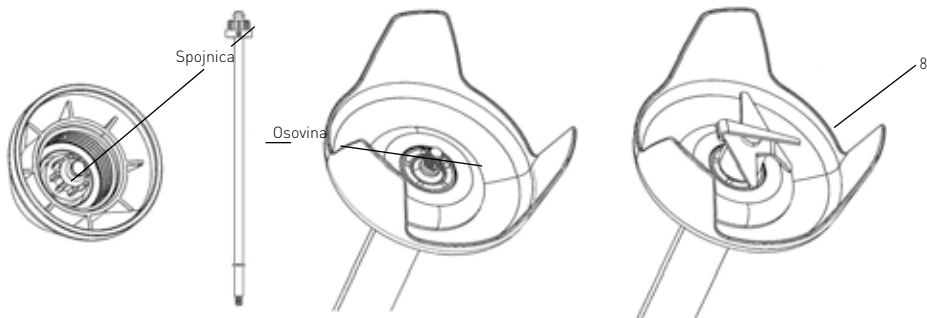
1. Držite glavnu jedinicu (10) i zavrните dio za ukla-panje (7) za smjeru kazaljke na satu dok se potpuno ne odvoji.

Sklop:

1. Poravnajte spoj dijela za spajanje (7) s spojkom glavne jedinice (10).
2. Zavijte dio za uklaapanje (7) u smjeru suprotnom od kazaljke na satu dok se potpuno ne zategne.

Dio za miješanje (7) i oštrica (8):

OPREZ! Nosite zaštitne rukavice za rastavljanje (nije uključeno).



Rastavljanje:

1. Držite spojnicu dijela za blending (7) i zavrните oštricu (8) u smjeru suprotnom od kazaljke na satu dok se potpuno ne odvoji.
2. Držite dio za uklaapanje (7) i izvucite osovinu.

1. Umetnite osovinu u dio za miješanje (7) dok se ne umetne do kraja.
2. Držite spojnicu dijela za miješanje (7) i zavijte oštricu suprotno od smjera kazaljke na satu dok se potpuno ne zategne.

Sklop:

Prikladno za:	<ul style="list-style-type: none">• Mješavina sokova i frapea• Miješanje mekih sastojaka (npr. tijesto za palačinku ili majoneza).• Miješanje povrća u juhu (npr. mrkve itd.)
Priprema:	<ul style="list-style-type: none">• Ogulite ili izrežite hranu na male komade ili u pari.• Stavite hranu u prikladan spremnik kapaciteta od 1-4 litre.
Maksimalno vrijeme neprekidnog rada	3 minute kako biste spriječili pregrijavanje motora. Ponovno pokrenite uređaj nakon hlađenja.



- Nakon priključivanja na utikač, na LCD zaslonu (4) će se prikazati "3".
- Spustite dio (7) u spremnik hrane (nije isporučeno). U potpunosti uronite nož (8) u sastojke prije pokretanja uređaja.
PAŽNJA: Ne biste trebali potopiti dio miksera (7) iznad oznake **Max**.
- Čvrsto držite glavnu jedinicu (10) jednom rukom, a spremnik za miješanje drugom rukom.
- Pritisnite i držite tipku UKLJUČENO/ISKLJUČENO (1), uređaj počinje kontinuirano miješanje.
- Nježno gore-dolje izmiješajte sastojke hrane glatko.
- Da biste izbjegli prskanje hrane, ne odvajajte uređaj od sastojaka tijekom rada.
- Odaberite brzinu noža pritiskom na gumb + (2) ili - (3) (raspon brzine: 1 do 6) tijekom rada. Brzina

noža prikazat će se na LCD zaslonu (4).

Napomena: Nije potrebno istovremeno pritisnuti gumb za UKLJUČIVANJE/ISKLJUČIVANJE (1) prilikom odabira brzine noža.

- Nakon završetka rada, otpustite tipku UKLJUČENO/ISKLJUČENO (1) kako biste isključili uređaj.
- Pričekajte da se nož (8) potpuno zaustavi. Zatim ga isključite iz napajanja.
- Okrenite glavnu jedinicu (10) u smjeru kazaljke na satu kako biste rastavili dio za miješanje (7) radi čišćenja.

Napomena:

1. Za brzo podešavanje pritisnite gumb za smanjivanje i povećavanje + (2) ili - (3).
2. Zadana brzina oštrica noža će se podesiti na "3" nakon priključivanja.

Čišćenje i održavanje

Pozor: Prije čišćenja i rasklapanja dijela za miješanje (7) uvijek iskopčajte uređaj iz električne utičnice i potpuno pričekajte da se ohladi.

Čišćenje

- Uklonite sve prepreke blizu oštrice.
- Postavite priključak za miješanje i zvono u prikladan spremnik s čistom vodom i uključite na nekoliko sekundi. Nikada nemojte uranjati osovinu iznad oznake Max.

- Kućište motora ili ručku nikada ne uranjajte u vodu; očistite ih vlažnom krpom ili spužvom.

UPOZORENJE Oštrice uvijek dobro osušite nakon čišćenja kako biste izbjegli mrlje.

Preporučeni postupak čišćenja:

Dijelovi	Kako čistiti	Učestalost
Glavna jedinica s motorom (10)	<ul style="list-style-type: none"> • Nikad ne uranjajte taj dio u vodu ili druge tekućine. • Vlažnom krpom nanesite malo deterdženta i vode, isperite, dezinficirajte i temeljito osušite. 	Čistite nakon svake uporabe
Dio za miješanje (7)	<ul style="list-style-type: none"> • Očistite je toplom vodom i blagim deterdžentom. Nemojte uroniti odvojivi dio za miješanje (7) iznad oznake Max. • Sve dijelove osušite prije ponovne uporabe. 	
Oštrica (8)	<ul style="list-style-type: none"> • Upozorenje! Opasnost od ozljede! Budite iznimno oprezni pri čišćenju oštrica. • Očistite je toplom vodom i blagim deterdžentom. • Dobro ih osušite nakon čišćenja. 	



Skladištenje

- Prije skladištenja, uvijek provjerite je li uređaj već iskopčan iz električne utičnice i potpuno ohladio.
- Uređaj čuvajte na hladnom, čistom i suhom mjestu u blizini djece.

Rješavanje problema

Ako uređaj ne radi ispravno, provjerite donju tablicu za rastvor. Ako i dalje ne možete riješiti problem, obratite se dobavljaču / pružatelju usluga.

Problemi	Mogući uzroci	Moguće rješenje
Uređaj se ne uključuje	Priključak za napajanje nije pravilno priključen na odgovarajuće napajanje.	Provjerite je li utikač pravilno priključen u utičnicu.
	Tipka ON/OFF (uključivanje/isključivanje) (1) nije pritisnuta.	Pritisnite i držite tipku UKLJUČENO/ISKLJUČENO (1) kako biste uključili uređaj.
Neuobičajeni zvukovi tijekom obrade	Dijelovi za uklapanje (7) nisu ispravno spojeni.	Ponovno rastavite i sastavite dio za miješanje (7).
Uređaj ne može raditi	Aktivira se unutarnji uređaji za pregrijavanje.	Prije ponovnog pokretanja pustite da se uređaj potpuno ohladi.
Uređaj se pregrijava	Rad s prekovremenim vremenom	Otpustite gumb za UKLJUČIVANJE/ISKLJUČIVANJE i iskopčajte uređaj, pričekajte 10 minuta da se motor ohladi.

Tehničke pojednosti

Broj stavke: 222157

Radni napon i frekvencija: 230V~ / 50Hz

Nazivna ulazna struja: 250W

Klasa zaštite: Klasa II. klase 

Vodootporna zaštita: IP23

Dimenzija: pribl. 71 x 71 x (V) 444 mm

Neto težina: približno 1,6 kg

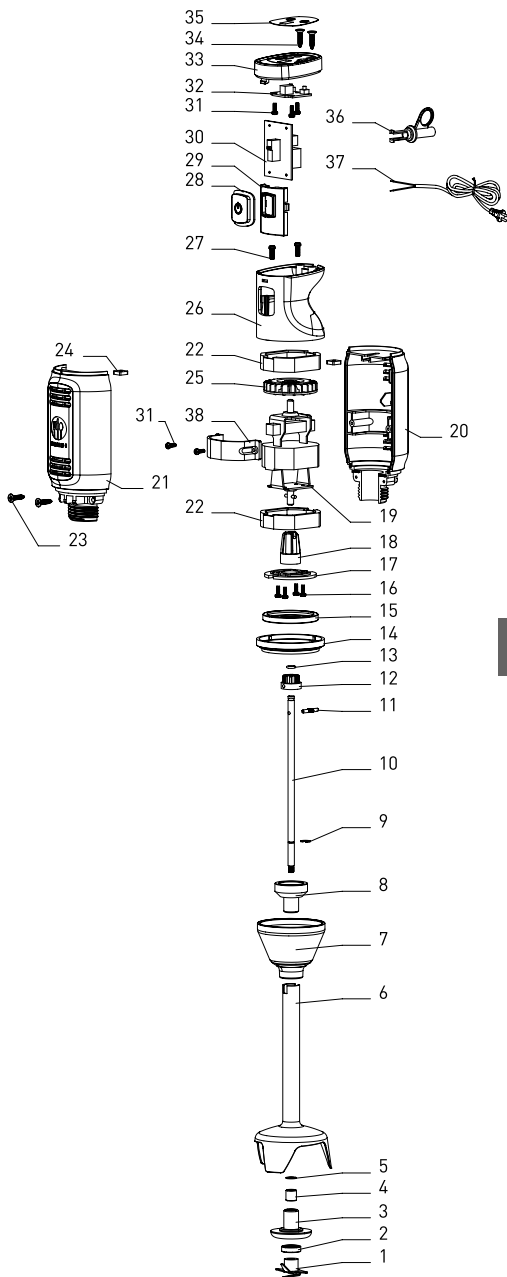
Brzina rotacije (o/min): približno 6.600 do 13.500

Razina buke: < 85dB(A)

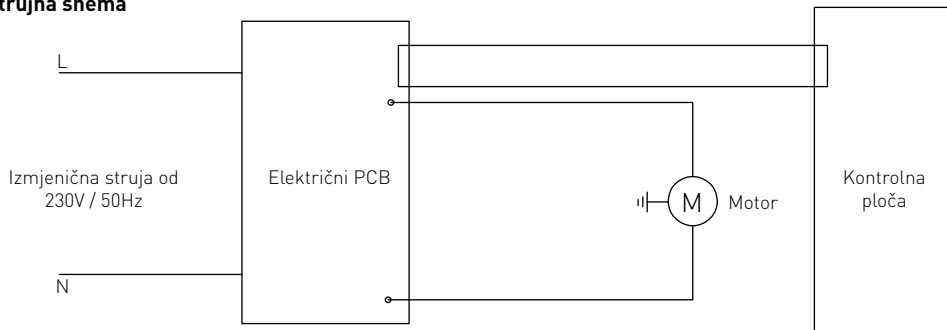
Napomena: Tehničke specifikacije podložne su promjenama bez prethodne obavijesti.

Popis dijelova za 222157

Broj dijela	Naziv dijela	Količina
1	Sklop oštrica od titanija	1
2	Brtvljeni prsten osovine oštrice	1
3	Čahura za pričvršćivanje	1
4	Ležaj	1
5	Čelični prsten	1
6	Osovina	1
7	Glava vratila	1
8	Poklopac montažnog osovine	1
9	Prsten oblika E	1
10	vratilo oštrice	1
11	Osovina vratila oštrice	1
12	Osovina priključka	1
13	Protuvibracijski brtveni prsten	1
14	Obloženi prsten	1
15	Protuvibracijski prsten za motor	1
16	Vijak za motor	4
17	Pločica za pričvršćivanje motora	1
18	Navlaka za priključak	1
19	Motor	1
20	Desno kućište	1
21	Lijeva strana kućišta	1
22	Poklopac koji upija motor	2
23	Vijak za ugradnju motora	2
24	Desni i lijevi držač montažne matice	2
25	Ventilator motora	1
26	Gornji ormarić	1
27	Svi montažni vijci kućišta	2
28	Gumb uključivanja / isključivanja gume	1
29	Gumb pričvrsnog okvira	1
30	Ploča napajanja	1
31	Vijak za montažu	5
32	Upravljačka ploča	1
33	Gornji poklopac	1
34	Vijak za montažu na gornje kućište	2
35	Naljepnica s kontrolama	1
36	Ispuštanje vezica	1
37	Kabel napajanja s utičnicom	1
38	Okvir za pričvršćivanje motora	1



Strujna shema



Jamstvo

Svaki kvar koji utječe na funkcionalnost uređaja koji postane očit u roku od godinu dana nakon kupnje bit će popravljen besplatnim popravkom ili zamjenom pod uvjetom da je uređaj korišten i održavan u skladu s uputama te da nije zloupotrijebljen ili zloupotrijebljen na bilo koji način. Vaša zakonska prava ne utječu. Ako se uređaj traži pod jamstvom,

navedite gdje i kada je kupljen i uključite dokaz o kupnji (npr. primitak).

U skladu s našom politikom kontinuiranog razvoja proizvoda zadržavamo pravo promjene specifikacija proizvoda, pakiranja i dokumentacije bez prethodne najave.

Odbacivanje i okolina

Prilikom razgradnje uređaja, proizvod se ne smije odlagati s drugim kućnim otpadom. Umjesto toga, vaša je odgovornost raspolagati otpadnom opremom tako što ćete je predati određenom mjestu prikupljanja. Nepoštivanje ovog pravila može se kazniti u skladu s važećim propisima o zbrinjavanju otpada. Odvojeno sakupljanje i recikliranje vaše otpadne opreme u trenutku odlaganja pomoći će

očuvanju prirodnih resursa i osiguravanju recikliranja na način koji štiti ljudsko zdravlje i okoliš.

Za više informacija o tome gdje možete ostaviti svoj otpad za recikliranje, obratite se lokalnoj tvrtki za prikupljanje otpada. Proizvođači i uvoznici ne preuzimaju odgovornost za recikliranje, obradu i ekološko zbrinjavanje, izravno ili putem javnog sustava.

Vážený zákazníku,

Děkujeme, že jste si koupili tento spotřebič Hendi. Přečtěte si pozorně tuto příručku a věnujte zvláštní pozornost níže uvedeným bezpečnostním předpisům před instalací a používáním tohoto spotřebiče poprvé.

Bezpečnostní předpisy


- This appliance is intended for commercial use.
- Spotřebič používejte pouze k zamýšlenému účelu, pro který byl navržen, jak je popsáno v této příručce.
- Výrobce nenese odpovědnost za škody způsobené nesprávným provozem a nesprávným používáním.
- Udržujte spotřebič a elektrickou zástrčku mimo vodu a jiné kapaliny. V případě, že spotřebič spadne do vody, okamžitě vyjměte zástrčku ze zásuvky. Nepoužívejte spotřebič, dokud nebyl zkontrolován certifikovaným technikem. Nedodržení těchto pokynů způsobí život ohrožující rizika.
- Nikdy se nepokoušejte otevřít kryt spotřebiče sami.
- Nevkládejte předměty do pouzdra spotřebiče.
- Nedotýkejte se zástrčky mokřými nebo vlhkými rukama.
- ⚡ **NEBEZPEČÍ ELEKTRICKÝM PROUDEM!** Nepokoušejte se opravit spotřebič sami, opravy provádějí pouze kvalifikovaní pracovníci.
- **Nikdy nepoužívejte poškozený spotřebič!** Když je poškozen, odpojte spotřebič od zásuvky a obraťte se na prodejce.
- **VAROVÁNÍ!** Neponořte elektrické části spotřebiče do vody nebo jiných kapalin.
- Nikdy nedržte spotřebič pod tekoucí vodou.
- Pravidelně kontrolujte napájecí zástrčku a kabel pro případné poškození. Pokud je poškozen, musí být nahrazen servisním zástupcem nebo podobně kvalifikovanou osobou, aby se zabránilo nebezpečí nebo zranění.
- Ujistěte se, že kabel nepřichází do kontaktu s ostrými nebo horkými předměty a udržujte jej mimo otevřený oheň. Nikdy nevytahujte napájecí kabel, abyste jej odpojili od zásuvky, vždy vytáhněte zástrčku.
- Ujistěte se, že napájecí kabel nebo prodlužovací kabel nezpůsobují nebezpečí výletu.
- Spotřebič během používání nenechávejte bez dozoru.
- **VAROVÁNÍ!** Dokud je zástrčka v zásuvce, je spotřebič připojen ke zdroji napájení.
- Vypněte spotřebič před odpojením ze zásuvky.
- Napájecí zástrčku připojte ke snadno přístupné elektrické zásuvce, takže v případě nouze lze spotřebič okamžitě odpojit.
- Nikdy nenoste spotřebič za šňůru.
- Nepoužívejte žádná další zařízení, která nejsou dodávána společně se spotřebičem.
- Připojte spotřebič pouze k elektrické zásuvce s napětím a frekvencí uvedenými na štítku spotřebiče.
- Nikdy nepoužívejte jiné příslušenství než příslušenství doporučené výrobcem. Pokud tak neučiníte, mohlo by představovat bezpečnostní riziko pro uživatele a mohlo by dojít k poškození spotřebiče. Používejte pouze originální díly a příslušenství.

CZ



- Tento spotřebič by neměl být provozován osobami se sníženými fyzickými, smyslovými nebo duševními schopnostmi ani osobami, které nemají zkušenosti a znalosti.
- Tento spotřebič by za žádných okolností neměly používat děti.
- Spotřebič a napájecí kabel uchovávejte mimo dosah dětí.
- **VAROVÁNÍ:** VŽDY vypněte spotřebič a odpojte od elektrické zásuvky před čištěním, údržbou nebo skladováním.

Zvláštní bezpečnostní předpisy

- Zařízení používejte pouze podle pokynů. Len použitie v interiéri.
- Tento spotřebič by měl obsluhovat a instalovat vyškolený personál v kuchyni potravinářského průmyslu, jako je catering, restaurace nebo bar, atd.
- Veškeré montážní práce a údržba musí být provedeny kvalifikovaným a oprávněným technikem.
- Spotřebič udržujte v dostatečné vzdálenosti od horkých ploch a otevřeného ohně. Se spotřebičem vždy pracujte na rovném, stabilním, čistém, horku odolném a suchém povrchu.
- Pokud je to nutné, použijte během obsluhy zařízení ochranný oděv, masku nebo ochranné brýle.
- Tento spotřebič není určen k provozu pomocí externího časového spínače nebo samostatného dálkového ovládání.
- **VAROVÁNÍ:** Udržujte všechny ventilační otvory ve spotřebiči bez překážek.
- **VAROVÁNÍ:** Při zapnutém zařízení nevkládejte do nádoby ruce ani kuchyňské náčiní. Omezíte tak riziko vážného zranění a/nebo poškození mixéru.
- Ponechte kolem zařízení alespoň 20 cm, abyste zabránili nebezpečí.
- **Pozor!** Bezpečně vedte napájecí kabel, pokud je to nutné, abyste zabránili neúmyslnému tažení nebo kontaktu s pohyblivou čepelí.
- Neponořujte míchací rameno do nádoby s vodou nebo jinou tekutinou, pokud její hladina nepřesahuje 5 cm.
- Nepoužívejte zařízení delší dobu, aby nedošlo k přehřátí motoru. Zařízení by nemělo pracovat nepřetržitě déle než 3 minuty. Po vychladnutí lze zařízení opět použít.
- Nepoužívejte zařízení, pokud není rameno umístěné v nádobě.
- Nedotýkejte se čepel, kryt ostří a pohyblivé části. Udržujte prsty, vlasy, oblečení a věci mimo všechny pohyblivé části.
- Neumývejte spotřebič vodou ani proudem vody. Mytí vodou může způsobit únik a zvýšit riziko úrazu elektrickým proudem. Žádné části nejsou vhodné do myčky.
- Abyste předešli poškození napájecího kabelu, nestlačujte jej, neohýbejte ani nezavěšujte přes ostré hrany. Udržujte napájecí kabel mimo dosah horkých povrchů a otevřeného ohně. Rotující nože zařízení udržujte v dostatečné vzdálenosti od napájecího kabelu.
- Vedte napájecí kabel tak, aby nedošlo k jeho náhodnému vytažení nebo zakopnutí.
- Nečistěte ani neukládejte spotřebič, pokud není úplně vychladlý.
- **Nebezpečí úrazu!** Dbejte zvýšené opatrnosti během demontáže ostrých nožů a při čištění.
-  Tento spotřebič je klasifikován jako třída ochrany II.


Zamýšlené použití

- Tento spotřebič je určen pro odborné použití.
- Toto zařízení je určené pouze k drčení, míchání, mletí a mixování potravin s přiměřenou měkkostí. Jakékoli jiné použití může vést k poškození pří-

stroje nebo zranění osob.

- Použití přístroje pro jiné účely se považuje za zneužití. Uživatel nese výhradní odpovědnost za správnost používání přístroje.

Hlavní části zařízení

1. Vypínač ON / OFF  : Stiskněte a podržte tlačítko, aby zařízení pracovalo nepřetržitě. Uvolněním tlačítka zařízení zastavíte.
2. Zvyšte nastavení rychlosti + : Zvyšte rychlost mezi 1 až 6
3. Snižte nastavení rychlosti - : Snižte rychlost mezi 1 až 6
4. LCD displej: Zobrazení nastavení rychlosti
5. Rukojeť
6. Ventilační otvory
7. Odnímatelné směšovací rameno
8. Čepel
9. Kryt čepele
10. Hlavní jednotka s motorem



Přípravy před použitím

- Odstraňte veškerý ochranný obal a fólie.
- Zkontrolujte, zda je spotřebič celý a nebyl poškozen při přepravě. V případě neúplné dodávky nebo poškození, okamžitě kontaktujte dodavatele. NE-POUŽÍVEJTE spotřebič. (Viz == > Záruka).

- Před použitím spotřebič vyčistěte (Viz ==> Čištění a údržba).
- Ujistěte se, že je spotřebič zcela suchý.
- Příprava ingrediencí.

Před operací

- Před použitím zařízení si prosím pečlivě přečtěte příručku.
- Ujistěte se, že bylo zařízení umístěné na suchém místě a žádné předměty nebrání bezproblémové práci.

- Ujistěte se, že specifikace zařízení na typovém štítku odpovídá elektrické zásuvce, ke které má být zařízení připojeno.
- Ujistěte se, že je rameno [7] správně upevněné na korpusu s motorem [10].

Přeprava

- Nepřenášejte zařízení během práce. Před přemísťováním zařízení na jiné místo vždy odpojte přístroj

od elektrické zásuvky.

- Během přenášení držte zařízení za rukojeť.

Úkon

Vždy dodržujte níže uvedené bezpečnostní pokyny!

- Always ensure the appliance is disconnected from the power supply before it is assembled with the blending part [7].
- Nikdy nevkládejte ruce do nádoby na potraviny (není součástí dodávky). K míchání vždy používejte stěrku (dřevěnou nebo plastovou). Stěrky používejte výhradně tehdy, když zařízení nepracuje.

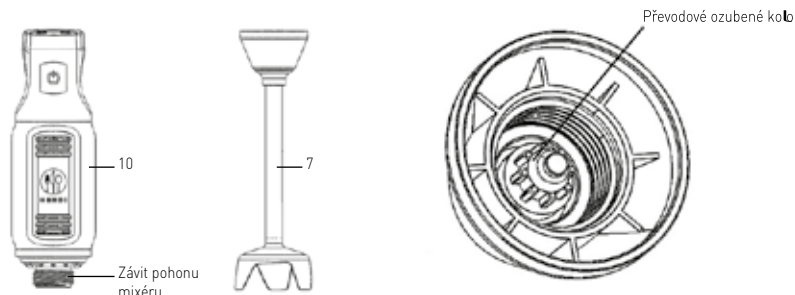
- Nepoužívejte zařízení, když je nádoba prázdná nebo k míchání tvrdých potravin, horkých tekutin, tvrdého těsta atd., aby se zabránilo přehřátí mixéru.
- **VAROVÁNÍ!** Neprodleně odpojte přístroj po použití.



Montáž / demontáž přídatných zařízení

Montážní / demontážní operace každého zařízení stroje se provádějí pomocí zastavení stroje a s odpojenou zástrčkou ze zásuvky.

Hlavní jednotka (10) a směšovací část (7):



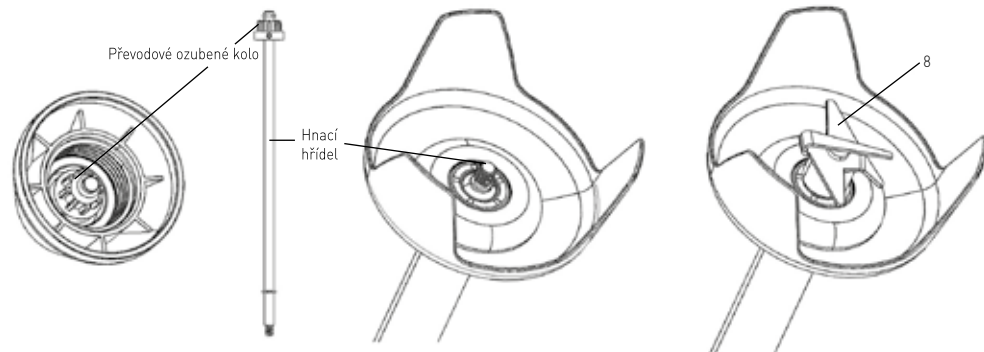
Demontáž:

1. Přidržte pohon mixéru (10) a odšroubujte míchací rameno (7) ve směru hodinových ručiček až do úplného odpojení.

Montáž:

1. Srovnejte ozubené kolo míchacího ramene (7) se závitem umístěným na konci pohonu mixéru (10).
2. Našroubujte míchací rameno (7) proti směru hodinových ručiček až do úplného utažení.

Směšovací část (7) a čepel (8):



Demontáž:

1. Přidržte konec míchacího ramene (7) a odšroubujte ostří (8) proti směru hodinových ručiček až do úplného odpojení.
2. Přidržte míchací rameno (7) a vytáhněte hnací hřídel.

Montáž:

1. Vložte hnací hřídel až do konce míchacího ramene (7).
2. Přidržte ozubené kolo míchacího ramene (7) a našroubujte ostří ve směru hodinových ručiček až do úplného utažení.

CZ



Vhodné pro:	<ul style="list-style-type: none"> • Blendování džusů nebo koktejlů • Míchání měkkých potravin (např. těsto na palačinky nebo majonéza). • Mixování zeleniny k přípravě polévek (např. mrkvových polévek atd.)
Příprava:	<ul style="list-style-type: none"> • Oloupejte nebo odkrojte přebytečné části potravin; ovoce/zeleninu nakrájejte na malé kousky. • Vložte potraviny do vhodné nádoby o objemu od 1 do 4 litrů.
Maximální nepřetržitá doba práce by neměla překročit 3 minuty.	Delší práce zařízení může mít za následek přehřátí motoru. Po vychladnutí zařízení můžete přístroj opět zapnout.

- Po zapnutí zařízení do elektrické zásuvky se na displeji LCD [4] zobrazí hodnota „3“.
- Vložte míchací rameno [7] do nádoby na potraviny (není součástí dodávky). Před spuštěním přístroje ponořte celé ostří [8] do ingrediencí vložených do nádoby.
POZOR: Nikdy neponořujte míchací rameno [7] nad značku maximální úrovně.
- Jednou rukou pevně držte korpus přístroje [10], druhou rukou přidržíte nádobu.
- Stiskněte a podržte tlačítko ON/OFF [1] – zařízení bude pracovat nepřetržitě.
- Opatrně pohybuje přístrojem nahoru a dolů, aby se ingredience rovnoměrně promíchaly.
- Abyste zabránili rozstříkávání směsi, nevyjímejte rameno mixéru, když zařízení ještě pracuje.
- Vyberte rychlost rotace ostří pomocí tlačítek „+“

[2] nebo „-“ [3] během práce zařízení (rozsah rychlosti: od 1 do 6). Na displeji LCD [4] se zobrazí vybraná rychlost otáček.

Pozor: Při nastavování rychlosti otáček není nutné zároveň držet tlačítko ON/OFF [1].

- Po skončení práci pusťte tlačítko ON/OFF [1], a zařízení se vypne.
- Počkejte, až se ostří [8] zastaví. Následně odpojte zařízení od zdroje napájení vytažením zástrčky ze zásuvky.
- Před umytím přetočte korpus [10] ve směru hodinových ručiček a odpojte míchací rameno [7].

Pozor:

1. Pro rychlé nastavení hodnoty stiskněte a podržte tlačítko pro zvýšení „+“ [2] nebo snížení „-“ [3].
2. Výchozí rychlost otáček ostří je nastavena na „3“.

CZ

Čištění a údržba

Pozor: Před čištěním a demontáží směšovací části [7] vždy odpojte spotřebič od elektrické zásuvky a nechejte jej úplně vychladnout.

Čištění

- Odstraňte všechny nepotřebné předměty, které se nachází v blízkosti ostří.
- Vložte míchací rameno do vhodné nádoby naplněné čistou vodou a zapněte přístroj na několik sekund. Neponořujte míchací rameno do vody nebo jiné kapaliny nad označenou maximální úroveň.

- Nikdy neponořujte motor ani rukojeť do vody. Tyto části čistěte vlhkým hadříkem nebo houbičkou.

VAROVÁNÍ: Po umytí vždy pečlivě osušte ostří, chraňte ho před korozi.



Doporučený způsob čištění zařízení:

Části	Jak čistit	Frekvence
Hlavní jednotka s motorem (10)	<ul style="list-style-type: none"> Nikdy neponořujte tuto část do vody nebo jiných tekutin. K důkladnému umytí, dezinfekci a osušení těla přístroje použijte vlhký hadřík a čisticím prostředkem. 	Umyjte po každém použití.
Směšovací část (7)	<ul style="list-style-type: none"> Umyjte teplou vodou s jemným čisticím prostředkem. Nikdy neponořujte odnímatelné míchací rameno (7) nad označenou maximální úroveň. Před opětovným použitím důkladně osušte všechny části přístroje. 	
Čepel (8)	<ul style="list-style-type: none"> Varování! Nebezpečí úrazu! Při čištění nožů buďte obzvláště opatrní. Umyjte teplou vodou a jemným čisticím prostředkem. Po vyčištění přístroj pečlivě osušte. 	

Skladování

- Před uskladněním se vždy ujistěte, že je zařízení odpojeno od síťové zásuvky a že zcela vychladlo.
- Uchovávejte zařízení na chladném, čistém a suchém místě.

Řešení problémů

Pokud přístroj nefunguje správně, vyhledejte možné řešení v následující tabulce. Pokud tímto způsobem nelze problém vyřešit, kontaktujte dodavatele / poskytovatele služeb.


Porucha	Možná příčina	Možné řešení
Zařízení se nezapne	Napájecí zástrčka není správně připojen do elektrické zásuvky.	Zkontrolujte, zda je elektrická kabelová zástrčka správně připojena k elektrické zásuvce.
	Tlačítko ON/OFF (1) není zmáčknuté.	Stisknutím a podržením tlačítka ON / OFF (1) zapněte spotřebič.
Zařízení vydává při míchání potravin neobvyklé zvuky.	Míchací rameno (7) bylo špatně založené.	Odpojte a znovu připojte směšovací rameno (7).
Zařízení nefunguje	Aktivovala se pojistka proti přehřátí.	Před opětovným zapnutím počkejte, až zařízení vychladne.
Zařízení se přehřálo	Zařízení pracuje příliš dlouho.	Uvolněte tlačítko ON/OFF a odpojte zařízení od zdroje napájení; Počkejte 10 minut, než motor vychladne.

Technická specifikace

Číslo položky: 222157

Provozní napětí a frekvence: 230V~ / 50Hz

Jmenovitý příkon: 250W

Třída ochrany: Třída II 

Třída ochrany proti vodě: IP23

Rozměry: cca. 71 x 71 x (H) 444 mm

Čistá hmotnost: cca. 1,6kg

Rychlost otáčení (rpm): cca. 6,600 to 13,500

Úroveň hluku: < 85dB(A)

Poznámka: Technická specifikace může být upravena bez předchozího upozornění.

Seznam náhradních dílů pro 222157

Obj. Č.	Název součásti	Množství
1	Titanový mixovací nůž	1
2	Těsnící kroužek hřídele	1
3	Upevňovací pouzdro	1
4	Ložisko	1
5	Ocelový prstenec	1
6	Kryt hřídele	1
7	Hlavice krytu hřídele	1
8	Pouzdro upevnění hřídele	1
9	Prstenec ve tvaru E	1
10	Hřídel	1
11	Čep hřídele	1
12	Drážková hřídel	1
13	Antivibrační těsnící prstenec	1
14	Prstenec s potaženým povrchem	1
15	Antivibrační prstenec motoru	1
16	Šrouby pro upevnění motoru	4
17	Montážní deska motoru	1
18	Klínové pouzdro	1
19	Motor	1
20	Pravý kryt motoru	1
21	Levý kryt motoru	1
22	Absorpční kryt motoru	2
23	Šrouby na upevnění krytu	2
24	Upevňovací matice levé a pravé části motoru	2
25	Ventilátor motoru	1
26	Horní kryt	1
27	Šrouby pro upevnění celého krytu	2
28	Guma chránící zapínač/vypínač	1
29	Upevňovací rám pro tlačítko	1
30	Řídící deska	1
31	Montážní šrouby	5
32	Kontrolní panel	1
33	Horní kryt	1
34	Montážní šroub k hornímu krytu	2
35	Kontrolní štítek	1
36	Reduktor napětí	1
37	Napájecí kabel se zástrčkou	1
38	Rám k upevnění motoru	1

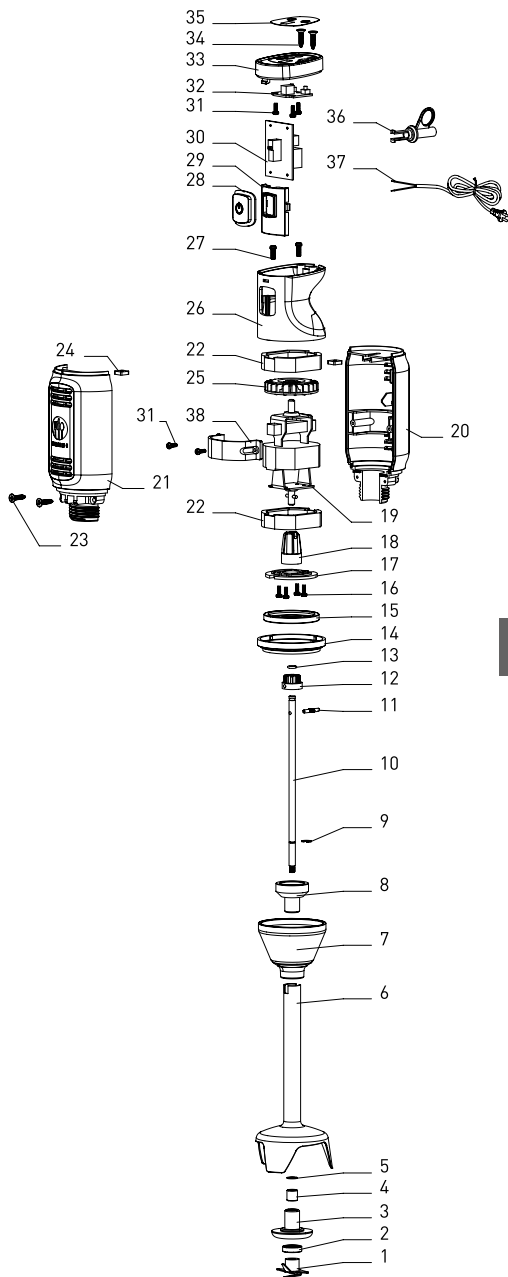
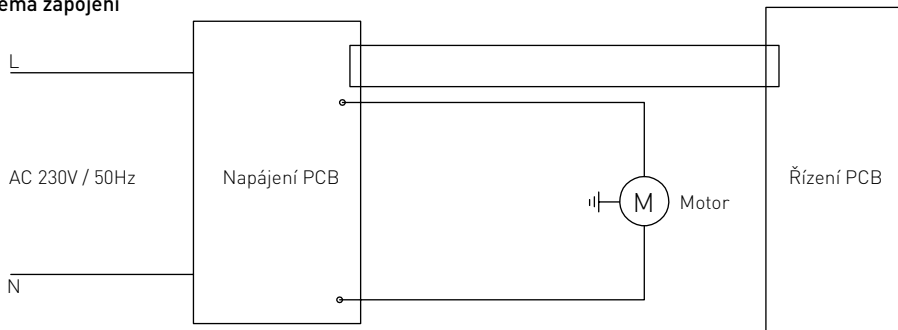


Schéma zapojení



Záruka

Jakákoli závada ovlivňující funkčnost spotřebiče, která se projeví do jednoho roku po zakoupení, bude opravena bezplatnou opravou nebo výměnou za předpokladu, že spotřebič byl použit a udržován v souladu s pokyny a nebyl žádným způsobem zneužíván nebo zneužit. Vaše zákonná práva nejsou dotčena. Pokud je spotřebič nárokován v záruce,

uveďte, kde a kdy byl zakoupen, a přiložte doklad o koupi (např. potvrzení).

V souladu s naší politikou neustálého vývoje produktů si vyhrazujeme právo bez předchozího upozornění měnit specifikace produktu, balení a dokumentace.

Vyřazení a životní prostředí

Při vyřazování spotřebiče z provozu nesmí být výrobek likvidován s jiným domovním odpadem. Místo toho je vaší odpovědností nakládat s odpadním zařízením tak, že je předáte určenému sběrnému místu. Nedodržení tohoto pravidla může být potrestáno v souladu s platnými předpisy o nakládání s odpady. Samostatný sběr a recyklace vašeho odpadního zařízení v době likvidace pomůže šetřit

přírodní zdroje a zajistit jejich recyklaci způsobem, který chrání lidské zdraví a životní prostředí.

Pro více informací o tom, kde můžete odložit svůj odpad k recyklaci, kontaktujte místní společnost pro sběr odpadu. Výrobci a dovozci nepřebírají odpovědnost za recyklaci, zpracování a ekologickou likvidaci, a to buď přímo, nebo prostřednictvím veřejného systému.

Tisztelt Ügyfél!

Köszönjük, hogy megvásárolta ezt a Hendi készüléket. Olvassa el figyelmesen ezt a kézikönyvet, különös figyelmet fordítva az alábbi biztonsági előírásokra, mielőtt először telepítené és használná ezt a készüléket.

Biztonsági előírások

- Ezt az eszközt kereskedelmi célra használják.
- A készüléket csak arra a célra használja, amelyre a jelen kézikönyvben leírtak szerint tervezték.
- A gyártó nem vállal felelősséget a helytelen működés és a helytelen használat által okozott károkért.
- Tartsa távol a készüléket és az elektromos csatlakozót a víztől és más folyadékoktól. Abban az esetben, ha a készülék vízbe esik, azonnal távolítsa el a tápcsatlakozót az aljzatból. Ne használja a készüléket, amíg azt tanúsított technikus nem ellenőrizte. Az utasítások betartásának elmulasztása életveszélyes kockázatokat okoz.
- Soha ne próbálja meg kinyitni a készülék házát.
- Ne helyezzen tárgyakat a készülék házába.
- Ne érintse meg a dugót nedves vagy nedves kézzel.
- ⚡ **ÁRAMÜTÉS VESZÉLYE!** Ne próbálja meg önállóan megjavítani a készüléket, a javításokat csak szakképzett személyzet végezheti.
- **Soha ne használjon sérült készüléket!** Ha sérült, húzza ki a készüléket az aljzatból, és lépjen kapcsolatba a kiskereskedővel.
- **FIGYELMEZTETÉS!** Ne merítse a készülék elektromos részeit vízbe vagy más folyadékba.
- Soha ne tartsa a készüléket folyó víz alatt.
- Rendszeresen ellenőrizze a hálózati csatlakozót és a kábelt, hogy nincs-e sérülés. Sérülés esetén azt szervizügynöknek vagy hasonló képesítéssel rendelkező személynek kell helyettesítenie a veszély vagy sérülés elkerülése érdekében.
- Győződjön meg róla, hogy a kábel nem érintkezik éles vagy forró tárgyakkal, és tartsa távol a nyílt tűztől. Soha ne húzza ki a tápkábelt a csatlakozóaljzatból, hanem mindig húzza ki a dugót.
- Győződjön meg arról, hogy a tápkábel és/vagy a hosszabbító kábel nem okoz kioldási veszélyt.
- Használat közben ne hagyja felügyelet nélkül a készüléket.
- **FIGYELMEZTETÉS!** Mindaddig, amíg a dugó az aljzatba van csatlakoztatva, a készülék az áramforráshoz csatlakozik.
- Kapcsolja ki a készüléket, mielőtt kihúzza az aljzatból.
- Csatlakoztassa a tápcsatlakozót egy könnyen hozzáférhető elektromos aljzathoz, hogy vészhelyzet esetén a készülék azonnal kihúzható legyen.
- Soha ne hordja a készüléket a kábellel.
- Ne használjon olyan kiegészítő eszközöket, amelyeket nem a készülékkel együtt szállítanak.
- A készüléket csak a készülék címkéjén feltüntetett feszültséggel és frekvenciával kell csatlakoztatni a konnektorhoz.


HU



- Soha ne használjon a gyártó által ajánlottakon kívül egyéb tartozékokat. Ennek elmulasztása biztonsági kockázatot jelenthet a felhasználó számára, és károsíthatja a készüléket. Csak eredeti alkatrészeket és tartozékokat használjon.
- Ezt a készüléket nem szabad korlátozott fizikai, érzékszervi vagy szellemi képességekkel rendelkező személyek, illetve tapasztalat és tudás hiányában működtetni.
- Ezt a készüléket semmilyen körülmények között nem szabad gyermekek használni.
- Tartsa a készüléket és a tápkábelt gyermekektől elzárva.
- **FIGYELEM:** A tisztítás, karbantartás vagy tárolás előtt mindig kapcsolja ki a készüléket, és húzza ki a konnektorból.

Különleges biztonsági előírások


- A készüléket kizárólag a jelen kézikönyvben leírtak szerint használja. Kizárólag beltéri használatra.
- Ezt a készüléket az élelmiszeripar konyhájában, például a vendéglátóiparban, az étteremben, a bárban stb. képzett szakembernek kell üzemeltetnie és üzembe helyeznie.
- A karbantartási, telepítési és javítási munkákat csak szakképzett, erre feljogosított szakember végezheti el.
- Tartsa távol a készüléket forró felületektől és nyílt lángtól. A készüléket mindig vízszintes, stabil, tiszta, hőálló és száraz felületen működtesse.
- Viseljen védőruházatot, maszkot vagy védőszemüveget, ha az üzemeltetés során szükséges.
- A készülék nem használható külső időzítővel vagy külön távirányító rendszerrel.
- **FIGYELMEZTETÉS:** A készülékben lévő összes szellőzőnyílást tartsa akadálymentesen.
- **FIGYELMEZTETÉS:** A súlyos személyi sérülések és/vagy a turmixgép károsodása kockázatának csökkentése érdekében a működtetés során tartsa távol a kezét és az edényt a tartálytól.
- A veszély elkerülése érdekében hagyjon legalább 20 cm távolságot a készülék körül.
- **Vigyázat!** Ha szükséges, biztonságosan vezesse el a tápkábelt, hogy elkerülje a véletlen húzást vagy a mozgó pengével való érintkezést.
- Ne merítse a tengelyt 5 cm-nél kisebb vízbe vagy folyadékba.
- A motor túlmelegedésének elkerülése érdekében ne működtesse folyamatosan a készüléket. A folyamatos működési idő nem haladhatja meg a 3 percet. Hűtés után ismét működtesse a készüléket.
- Ne használja a gépet a tartályon kívül.
- Ne érintse meg a pengét, a pengevédőt és a mozgó alkatrészeket. Tartsa távol az ujjait, haját, ruházatát és konyhai eszközeit minden mozgó alkatrésztől.
- Ne mossa a készüléket vízzel vagy vízfecskendezővel. A vízzel történő mosás szivárgást okozhat, és növelheti az áramütés kockázatát. Egyetlen alkatrész sem tisztítható mosogatógépben.
- A kábel sérülésének elkerülése érdekében ne nyomja össze, ne hajlítsa meg és ne dörzsölje meg éles széleken. Tartsa távol forró felületektől és nyílt lángtól. Ne hagyja, hogy a forgó pengék hozzáérjenek a tápkábelhez.

- Fektesse ki a tápkábelt úgy, hogy ne lehessen véletlenül kihúzni vagy kioldani.
- Ne tisztítsa és ne tárolja a gépet, amíg teljesen le nem hűlt.
- **Sérülésveszély!** Az éles vágópengék tisztítás közbeni kezelése során körültekintően kell eljárni.
-  Ez a készülék II. védettségi osztályba tartozik.

Tervezett felhasználás

- Ez az eszköz professzionális használatra készült.
- Ez a készülék kizárólag a megfelelő puha összetevők tartályban történő összekeverésére, keverésére, pépesítésére és pürézésére szolgál. Minden más használat a készülék károsodásához vagy személyi sérüléshez vezethet.
- A készülék bármilyen más célra történő működtetése a készülék nem rendeltetésszerű használatának minősül. A felhasználó kizárólagos felelősséggel tartozik az eszköz nem megfelelő használatáért.

A készülék fő részei

1. BE/KI kapcsoló : Nyomja meg és tartsa lenyomva a folyamatos működéshez; Engedje fel a gombot a működés leállításához
2. Növelje a sebességfokozatot + :
Növelje a sebességet 1 és 6 között
3. Csökkentse a sebességbeállítást - :
Csökkentse a sebességet 1 és 6 között
4. LCD kijelző: A sebességbeállítás megjelenítése
5. Fogantyú
6. Szellőzőnyílások
7. Levehető keverőegység
8. Penge
9. Pengevédő
10. Főegység motorral



HU

Üzemeltetés előtti előkészületek

- Távolítsa el minden védőcsomagolást és csomagolást.
- Ellenőrizze a készülék teljességét és szállítási sérüléseit. Hiányos szállítás vagy sérülés esetén azonnal forduljon a szállítóhoz. NE használja a készüléket. (Lásd ==> Garancia).
- Használat előtt tisztítsa meg a készüléket (Lásd ==> Tisztítás és karbantartás).
- Ellenőrizze, hogy a készülék teljesen száraz-e.
- Az élelmiszer-összetevők előkészítése feldolgozásra.

Üzemeltetés előtt

- Használat előtt alaposan és gondosan olvassa el ezt a kézikönyvet.
- Győződjön meg arról, hogy a készüléket száraz helyen helyezze el, és a működést akadályok nélkül.
- Ellenőrizze, hogy az elektromos hálózat megfelel-e a készüléken található adattáblának.
- Győződjön meg arról, hogy a keverőelem (7) szorosan illeszkedik a főttesthez a motorral (10).

Szállítás

- Működés közben ne mozgassa a készüléket. Húzza ki a készüléket a konnektorból, amikor másik helyre megy.
- Távolodva tartsa meg a készülék fogantyú részét.



Üzemeltetés

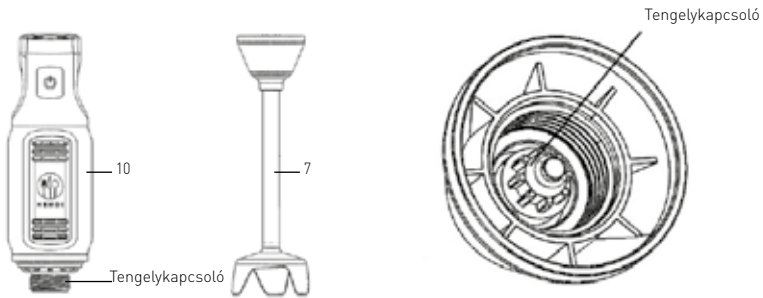
Mindig tartsa be a következő biztonsági tanácsokat!

- Mindig győződjön meg arról, hogy a készülék le van választva az elektromos hálózatról, mielőtt összeszerelné a keverőegységgel (7).
- Soha ne tegye a kezét az ételtartóba (nincs melékelve). Mindig fa vagy műanyag spatulákat használjon, és csak akkor, ha a készülék nem működik.
- A túlmelegedés megelőzése érdekében ne használja a készüléket étel nélkül a tárolóban, vagy kemény étellel, forró folyadékkal, nehéz tésztával stb.
- **FIGYELMEZTETÉS!** Használat után azonnal húzza ki a készüléket a fali aljzatból.

A feltétek összeszerelése/szét szerelése

A készülék összeszerelési/szét szerelési műveleteit úgy kell elvégezni, hogy a készüléket leállítják, és leválasztják az áramforrásról.

Főegység (10) és keverőegység (7):



Szét szerelés:

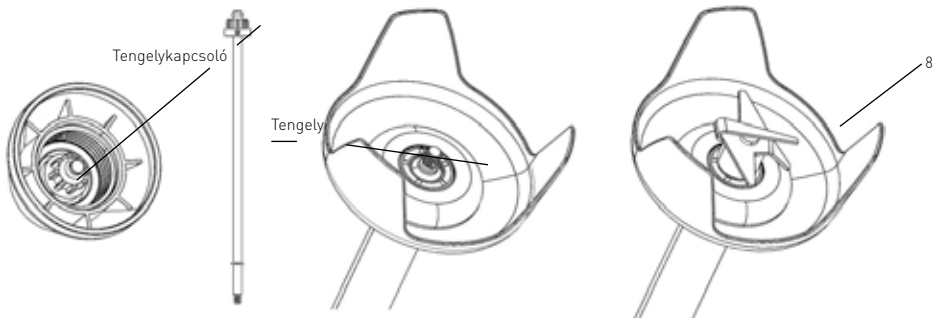
1. Tartsa meg a főegységet (10), és csavarja ki a keverőegységet (7) az óramutató járásával meg egyező irányba, amíg teljesen le nem válik.

Összeszerelés:

1. Igazítsa a keverőegység (7) tengelykapcsolóját a főegység (10) tengelykapcsolójához.
2. Az óramutató járásával ellentétes irányban csavarja be a keverő részt (7), amíg teljesen meg nem szorítja.

Keverőegység (7) és lapát (8):

ELŐVIGYÁZATOSSÁG! A szét szereléshez viseljen védőkesztyűt (nem tartozék).



Szét szerelés:

1. Tartsa meg a keverőegység (7) csatlakozóját, és csavarja ki a pengét (8) az óramutató járásával ellentétes irányba, amíg teljesen le nem válik.
2. Tartsa meg a keverő részt (7), és húzza ki a tengelyt.

Összeszerelés:

1. Helyezze be a tengelyt a keverőrészbe (7), amíg teljesen be nem illeszkedik.
2. Tartsa meg a keverőegység (7) csatlakozóját, és csavarja be a pengét az óramutató járásával megegyező irányba, amíg teljesen meg nem szorítja.

Alkalmas a következőkre:	<ul style="list-style-type: none">• A gyümölcslevek és shake-ek keverése• Puha összetevők (pl. palacsinta- vagy majonéz) keverése.• Zöldség felkeverése levesbe (pl. sárgarépa stb.)
Előkészítés:	<ul style="list-style-type: none">• Hámozza meg vagy tárja fel az ételt, és vágja apró darabokra.• Helyezze az ételt egy megfelelő, 1-4 literes tárolóedénybe.
Maximális folyamatos működési idő	3 percig, hogy megakadályozza a motor túlmelegedését. Lehűlés után ismét működtesse a készüléket.

- Miután csatlakoztatta a hálózati csatlakozódugót, az LCD-kijelzőn (4) megjelenik a „3” jelzés.
- Engedje le a keverőegységet (7) az élelmszer-tartályba (nincs mellékelve). A készülék elindítása előtt teljesen merítse bele a pengét (8) az összetevőkbe.
FIGYELEM: Ne merítse a keverőegységet (7) a **Max.** jelzés fölé.
- Egyik kezével tartsa erősen a főegységet (10), a másik kezével pedig a keverőtartályt.
- Nyomja meg és tartsa lenyomva a BE/KI gombot (1), majd a készülék folyamatosan megkezdheti a turmixolást.
- Finom, felfelé és lefelé irányuló mozdulatokkal keverje össze az étel összetevőit.
- Az ételmaradékok elkerülése érdekében ne emelje ki a készüléket az összetevőkből működés közben.
- Válassza ki a pengesebességet a + (2) vagy - (3)

gomb megnyomásával (Sebességtartomány: 1-6) működés közben. A pengesebesség az LCD-kijelzőn (4) jelenik meg.

Megjegyzés: Nem kell megnyomni a BE/KI gombot (1) a pengesebesség egyidejű kiválasztásakor.

- A művelet befejezése után engedje fel a BE/KI gombot (1) a készülék kikapcsolásához.
- Várjon, amíg a penge (8) teljesen leáll. Ezután húzza ki a hálózati vezetékét az elektromos hálózatról.
- Forgassa el a főegységet (10) az óramutató járásával megegyező irányba a keverőrész (7) tisztításhoz történő szét szereléséhez.

Megjegyzés:

1. Nyomja meg és tartsa lenyomva a + (2) vagy - (3) gombokat a gyors beállításához.
2. Az alapértelmezett pengesebesség a csatlakoztatás után „3”-ra változik.

Tisztítás és karbantartás

Figyelem: A turmixoló rész (7) tisztítása és szét szerelése előtt mindig húzza ki a készüléket a hálózati csatlakozójából, és hagyja teljesen lehűlni.

Tisztítás

- Távolítsa el minden akadályt a penge közelében.
- Helyezze a keverőkart és a harangot egy megfelelő, tiszta vizet tartalmazó tartályba, és néhány másodpercig kapcsolja be. Soha ne merítse a tengelyt a Max. jelzés fölé.

- Soha ne merítse a motort vagy a fogantyút vízbe; tisztítsa meg nedves ruhával vagy szivaccsal.

FIGYELMEZTETÉS: Tisztítás után mindig alaposan szárítsa meg a pengéket, hogy elkerülje a rozsdásodást.

HU



Ajánlott tisztítási eljárás:

Alkatrészek	A tisztítás menete	Gyakoriság
Főegység motorral (10)	<ul style="list-style-type: none"> • Soha ne merítse ezt a részt vízbe vagy más folyadékba. • Nedves, mosószeres vízzel megnedvesített törlőkendővel öblítse le, fertőtlenítsen és szárítsa meg alaposan. 	Minden használat után tisztítsa meg
Keverő rész (7)	<ul style="list-style-type: none"> • Meleg vízzel és enyhe tisztítószerrel tisztítsa. Ne merítse a leválasztható keverőegységet (7) a Max. jelzés fölé. • Használat előtt szárítsa meg az összes alkatrészt. 	
Penge (8)	<ul style="list-style-type: none"> • Figyelmeztetés! Sérülésveszély! Legyen nagyon óvatos a pengék tisztításakor. • Meleg vízzel és enyhe tisztítószerrel tisztítsa. • Tisztítás után alaposan szárítsa meg. 	

Tárolás

- Tárolás előtt mindig győződjön meg arról, hogy a készüléket leválasztották az elektromos hálózatról, és teljesen lehűlt.
- A készüléket hűvös, tiszta és száraz helyen, gyermekektől elzárva tárolja.

Hibaelhárítás

Ha a készülék nem működik megfelelően, kérjük, olvassa el az alábbi táblázatot a megoldásra vonatkozóan. Ha továbbra sem tudja megoldani a problémát, kérjük, forduljon a szolgáltatóhoz.

Problémák	Lehetséges okok	Lehetséges megoldás
A készülék nem kapcsol be	A hálózati csatlakozódugó nincs megfelelően csatlakoztatva a megfelelő tápegységhez.	Ellenőrizze, hogy a hálózati csatlakozódugó megfelelően csatlakozik-e a megfelelő elektromos aljzathoz.
	A BE/KI gomb (1) nincs megnyomva.	Nyomja meg és tartsa lenyomva a BE/KI gombot (1) a készülék bekapcsolásához.
Rendellenes zajok feldolgozás közben	A keverőegység (7) nincs megfelelően csatlakoztatva.	Szerelje szét és szerelje össze ismét a keverőelemet (7).
A készülék nem működik	A belső túlmelegedés elleni eszközök aktiválódnak.	Hagyja lehűlni a készüléket, mielőtt ismét elkezdené a műveletet.
A készülék túlmelegedett	Túlórás működés	Engedje fel a BE/KI gombot, és húzza ki a készülék csatlakozódugóját, várjon 10 percet, hogy a motor lehűljön.

Műszaki adatok

Cikkszám: 222157

Üzemi feszültség és frekvencia: 230V~ / 50Hz

Névleges bemeneti teljesítmény: 250W

Védelmi osztály: II. osztály 

Vízállósági védettségi osztály: IP23

Méretetek: kb. 71 x 71 x (Ma) 444 mm

Nettó tömeg: kb. 1,6 kg

Fordulatszám (ford./perc): kb. 6600–13 500

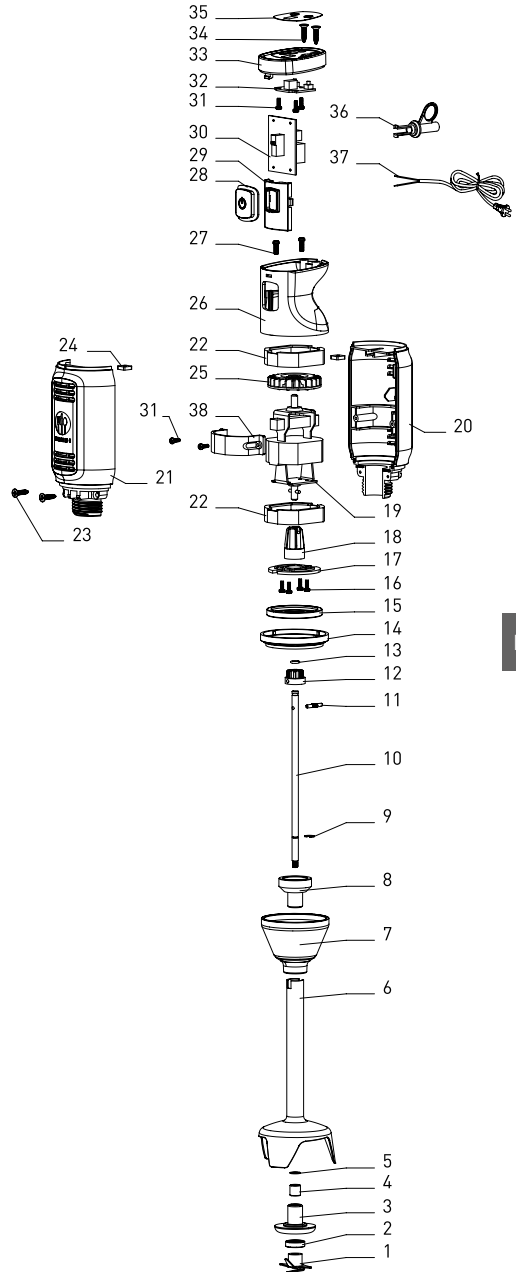
Zajsztint: < 85dB(A)

Megjegyzés: A műszaki adatok előzetes értesítés nélkül változhatnak.

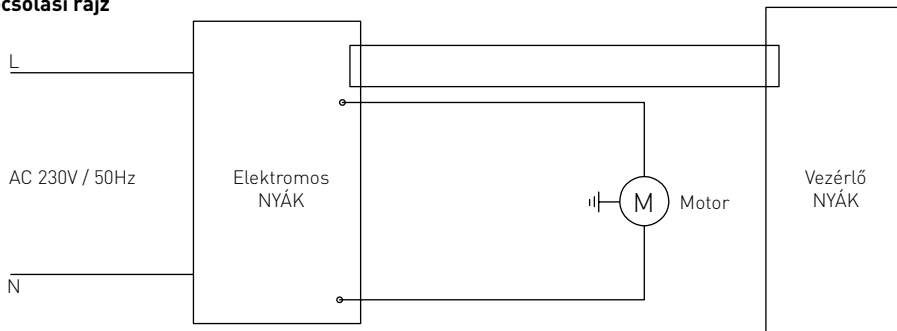


A 222157 cikkszámú alkatrészlista

Alkatrészszám	Alkatrész neve	Mennyiség
1	Titán pengeszerelvény	1
2	Lapáttengely tömítőgyűrű	1
3	Rögzítőpersely	1
4	Csapágó	1
5	Acélgyűrű	1
6	Tengely	1
7	Tengelyfej	1
8	Szerelőtengely-fedél	1
9	E alakú gyűrű	1
10	Pengetengely	1
11	Pengetengely csapszeg	1
12	Bordástengely	1
13	Rezgésgátló tömítőgyűrű	1
14	Bevonatos gyűrű	1
15	Rezgésgátló gyűrű motorhoz	1
16	Csavar a motorhoz	4
17	Motorrögzítő lemez	1
18	Bordás bordás hüvely	1
19	Motor	1
20	Jobb oldali burkolat	1
21	Bal oldali burkolat	1
22	Motor abszorbens burkolat	2
23	Motorrögzítő csavar	2
24	Jobb és bal oldali burkolatrögzítő anya	2
25	Motorventilátor	1
26	Felső burkolat	1
27	Minden burkolatot rögzítő csavar	2
28	Be/Ki gomb gumi	1
29	Gombrögzítő keret	1
30	Áramköri egység	1
31	Rögzítőcsavar	5
32	Vezérlőpanel	1
33	Felső fedél	1
34	Felső burkolat rögzítőcsavarja	2
35	Vezérlő matrica	1
36	Feszültségmentesítés	1
37	Tápkábel dugóval	1
38	Motor rögzítőkeret	1



Kapcsolási rajz



Garancia

A készülék működését befolyásoló minden olyan hibát, amely a vásárlást követő egy éven belül nyilvánvalóvá válik, ingyenes javítással vagy cserével kell javítani, feltéve, hogy a készüléket az utasításoknak megfelelően használták és karbantartották, és semmilyen módon nem bántalmazták vagy nem használták vissza. Az Ön törvényes jogait nem

érinti. Ha a készüléket jótállás alapján igénylik, adja meg, hol és mikor vásárolta meg, és tüntesse fel a vásárlás igazolását (pl. átvételi elismervényt). Folyamatos termékfejlesztési politikánkkal összhangban fenntartjuk a jogot arra, hogy előzetes értesítés nélkül megváltoztassuk a terméket, a csomagolást és a dokumentációt.

Visszadobás és környezet

A készülék leszerelésekor a terméket nem szabad más háztartási hulladékkal együtt ártalmatlanítani. Ehelyett az Ön felelőssége, hogy a hulladékkezelő berendezéseit átadja egy kijelölt gyűjtőhelyre. E szabály betartásának elmulasztása a hulladékártalmatlanításra vonatkozó vonatkozó rendelkezéseknek megfelelően büntetendő. A hulladékkezelő berendezések elkülönített gyűjtése és újrahasznosítása az ártalmatlanítás idején segít megőrizni a természeti erőforrásokat, és biztosítja, hogy az

újrahasznosítás olyan módon történjen, amely védi az emberi egészséget és a környezetet.

Hatöbbet szeretne tudni arról, hogy hol dobhatja ki hulladékát újrahasznosításra, kérjük, forduljon helyi hulladékgyűjtő cégéhez. A gyártók és az importőrök nem vállalnak felelősséget az újrafeldolgozásért, a kezelésért és az ökológiai ártalmatlanításért sem közvetlenül, sem állami rendszeren keresztül.

Дякуємо, що придбали цей прилад HENDI. Уважно прочитайте цю інструкцію, приділяючи особливу увагу правилам безпеки, викладеним нижче, перш ніж встановлювати і використовувати цей прилад вперше.

Правила безпеки


- Цей прилад призначений для комерційного використання.
- Використовуйте прилад тільки за призначенням, для якого він був розроблений, як описано в цьому посібнику.
- Виробник не несе відповідальності за будь-які збитки, викликані неправильною експлуатацією і неправильним використанням.
- Тримайте прилад і електричну вилку подалі від води та інших рідин. У разі, якщо прилад потрапить в воду, негайно вийміть вилку живлення з розетки. Не використовуйте прилад до тих пір, поки він не буде перевірений сертифікованим фахівцем. Невиконання цих інструкцій призведе до небезпечного для життя ризику.
- Ніколи не намагайтеся самостійно відкрити корпус приладу.
- Не можна вставляти предмети в корпус приладу.
- Не торкайтеся пробки мокрими або вологими руками.
- ⚠️ **НЕБЕЗПЕКА УРАЖЕННЯ ЕЛЕКТРИЧНИМ СТРУМОМ!** Не намагайтеся самостійно відремонтувати прилад, ремонт проводить тільки кваліфікований персонал.
- **Ніколи не використовуйте пошкоджений прилад!** Коли він пошкоджений, від'єднайте прилад від розетки і зверніться до продавця.
- **ПОПЕРЕДЖЕННЯ!** Не можна занурювати електричні частини приладу в воду або інші рідини.
- Ніколи не тримайте прилад під проточною водою.
- Регулярно перевіряйте вилку і шнур живлення на наявність будь-яких пошкоджень. При пошкодженні він повинен бути замінений сервісним агентом або таким же кваліфікованим особою, щоб уникнути небезпеки або травми.
- Переконайтеся, що шнур не стикається з гострими або гарячими предметами і тримайте його подалі від відкритого вогню. Ніколи не тягніть шнур живлення, щоб від'єднати його від розетки, завжди натомість витягніть штекер.
- Переконайтеся, що шнур живлення та/або подовжувач не викликають небезпеки відключення.
- Ніколи не залишайте прилад без нагляду під час використання.
- **ПОПЕРЕДЖЕННЯ!** До тих пір, поки вилка знаходиться в розетці, прилад підключається до джерела живлення.
- Вимкніть прилад, перш ніж від'єднати його від розетки.
- Підключіть вилку живлення до легкодоступної електричної розетки, щоб у разі крайньої необхідності прилад можна було негайно відключити.
- Ніколи не носіть прилад за шнур.
- Не використовуйте зайві пристрої, які не поставляються разом з приладом.



- Підключіть прилад до електричної розетки тільки з напругою і частотою, зазначеними на етикетці приладу.
- Ніколи не користуйтеся аксесуарами, відмінними від рекомендованих виробником. Невиконання цього може становити небезпеку для користувача і може пошкодити прилад. Використовуйте тільки оригінальні деталі та аксесуари.
- Цей прилад не повинен експлуатуватися особами зі зниженими фізичними, сенсорними або розумовими можливостями, або особами, які мають нестачу досвіду і знань.
- Цей прилад ні за яких обставин не повинен використовуватися дітьми.
- Зберігайте прилад і шнур живлення в недоступному для дітей місці.
- **УВАГА:** ЗАВЖДИ вимикайте прилад і відключайте від розетки живлення перед чищенням, обслуговуванням або зберіганням.

Спеціальні правила безпеки

- Використовуйте прилад лише так, як описано в цьому посібнику. Тільки для використання в приміщенні.
- Цей прилад повинен експлуатувати та встановлювати спеціально підготовлений персонал на кухні харчової промисловості, наприклад, у ресторані, барі тощо.
- Усі роботи з технічного обслуговування, монтажу та ремонту повинні виконуватися спеціалізованими кваліфікованими спеціалістами.
- Тримайте прилад подалі від гарячих поверхонь і відкритого вогню. Завжди експлуатуйте прилад на рівній, стійкій, чистійкій, жаростійкій і сухій поверхні.
- Одягайте захисний одяг, маску або захисні окуляри, якщо це необхідно під час роботи.
- Цей прилад не призначений для використання із зовнішнім таймером або окремою системою дистанційного керування.
- **ПОПЕРЕДЖЕННЯ:** Тримайте всі вентиляційні отвори в приладі подалі від перешкод.
- **ПОПЕРЕДЖЕННЯ:** Під час роботи тримайте руки та приладдя поза контейнером, щоб зменшити ризик серйозних травм та/або пошкодження блендера.
- Залиште відстань не менше 20 см навколо приладу, щоб уникнути небезпеки.
- **Увага!** Надійно прокладіть шнур живлення, якщо це необхідно, щоб запобігти ненавмисному потягу або контакту з рухомих лезом.
- Не занурюйте вал у воду або рідину менше ніж на 5 см.
- Не використовуйте прилад постійно, щоб уникнути перегрівання двигуна. Тривалість безперервної роботи не повинна перевищувати 3 хвилини. Знову експлуатуйте прилад після охолодження.
- Не використовуйте машину поза контейнером.
- Не торкайтеся леза, захисного кожуха леза та рухомих частин. Тримайте пальці, волосся, одяг та приладдя подалі від усіх рухомих частин.
- Не мийте прилад водою або струменем води. Прання водою може спричинити протікання та збільшити ризик ураження електричним струмом. Жодні деталі не можна мити в посудомийній машині.
- Щоб уникнути пошкодження шнура, не стискайте, не згинайте та не притискайте його до гострих країв. Тримайте його подалі від гарячих поверхонь і відкритого вогню. Не дозволяйте лезам, що обертаються, торкатися кабелю живлення.

- Викладіть шнур живлення таким чином, щоб ненавмисне витягування або вимкнення було неможливим.
- Не мийте та не зберігайте машину, якщо вона не повністю охолоджена.
- **Небезпека травмування!** Під час чищення слід бути обережними з гострими ріжучими лезами.
-  Цей прилад клас захисту II.


Цільове використання

- Цей прилад призначено для професійного використання.
- Цей прилад призначений виключно для подрібнення, змішування, пюре та пюре відповідних м'яких інгредієнтів у контейнері. Будь-яке інше використання може призвести до пошко-

дження приладу або травм.

- Експлуатація приладу з будь-якою іншою метою вважається неправильним використанням приладу. Користувач несе одноосібну відповідальність за неналежне використання пристрою.

Основні частини приладу

1. Перемикач ON/OFF : Натисніть і утримуйте для безперервної роботи; відпустіть кнопку, щоб зупинити роботу
2. Збільшити налаштування швидкості + :
Збільшити швидкість від 1 до 6
3. Зменшення швидкості — :
Зменшення швидкості від 1 до 6
4. РК-дисплей: Відображення налаштування швидкості
5. Ручка
6. Вентиляційні отвори
7. Знімна частина змішування
8. Лезо
9. Обмежувач лез
10. Основний блок з двигуном



UA

Підготовка до роботи

- Зніміть захисну упаковку та упаковку.
- Перевірте прилад на повноту та наявність пошкоджень під час транспортування. У разі неповної доставки або пошкодження негайно зверніться до постачальника. НЕ використовуйте прилад. (Див. ==> Гарантія).

- Перед використанням очистіть прилад (див. ==> Очищення та догляд).
- Переконайтеся, що прилад повністю сухий.
- Приготування харчових інгредієнтів для обробки.

Перед експлуатацією

- Перед експлуатацією уважно та ретельно прочитайте цей посібник.
- Переконайтеся, що прилад розміщено в сухому місці без перешкод для блокування роботи.
- Перевірте, чи відповідає джерело електрожив-

лення табличці з технічними даними приладу.

- Переконайтеся, що деталь для змішування (7) надійно встановлена з основним корпусом з моторною частиною (10).



Транспортування

- Не переміщуйте прилад під час його роботи. Під час переміщення в інше місце від'єднайте прилад від мережі живлення.
- Під час руху тримайте ручку приладу.

Експлуатація

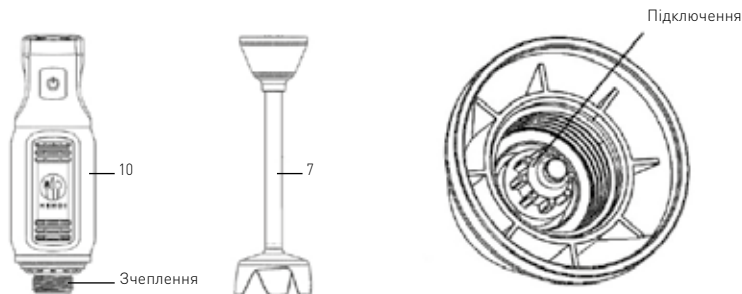
Завжди дотримуйтеся наступних рекомендацій з техніки безпеки!

- Перед збиранням змішувальною частиною (7) завжди відключайте прилад від джерела живлення.
- Ніколи не кладіть руки в контейнер для їжі (не в комплекті). Завжди використовуйте дерев'яні або пластикові шпателі, а також лише тоді, коли прилад не працює.
- Не експлуатуйте прилад без їжі всередині контейнера або з твердими продуктами, гарячими рідинами, великим тістом тощо, щоб запобігти перегріванню.
- **ПОПЕРЕДЖЕННЯ!** Відключіть прилад від мережі живлення відразу після використання.

Збирання/розбирання вкладень

Роботи зі збирання/розбирання приладу виконуються з зупинкою приладу та від'єднанням від джерела живлення.

Основний блок (10) і частина змішування (7):



Розбирання:

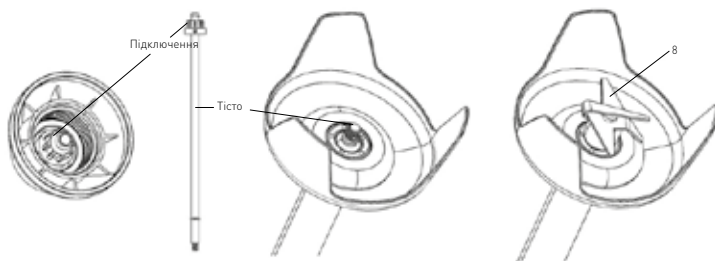
1. Утримуйте основний блок (10) і вигвинтіть змішувач (7) за годинниковою стрілкою, доки він повністю не від'єднається.

Збирання:

1. Вирівняйте з'єднання частини змішування (7) зі зчепленням основного блоку (10).
2. Закрутіть змішувальну деталь (7) проти годинникової стрілки, доки вона не буде повністю затягнута.

Змішувальна частина (7) та лезо (8):

ЗАСТЕРЕЖЕННЯ! Для розбирання використовуйте захисні рукавички (не входять у комплект).



Розбирання:

1. Утримуйте муфту змішувальної частини (7) і вигвинтіть лезо (8) проти годинникової стрілки, доки воно не буде повністю від'єднане.
2. Утримуйте змішувальну деталь (7) і витягніть вал.

Збирання:

1. Вставте вал у складову змішування (7), доки він не буде повністю вставлений.
2. Утримуйте муфту змішувальної частини (7) і пригвинтіть лезо за годинниковою стрілкою, доки воно повністю не затягнеться.

Підходить для:	<ul style="list-style-type: none">• Змішування соків і коктейлів• Змішування м'яких інгредієнтів (наприклад, млинцеве тісто або майонез).• Змішування овочів із супом (наприклад, морква тощо)
Підготовка:	<ul style="list-style-type: none">• Почистити або відпарити їжу та порізати на маленькі шматочки.• Помістити продукти у відповідний контейнер об'ємом 1–4 літри.
Максимальний час безперервної роботи	3 хвилини для запобігання перегріванню двигуна. Знову експлуатуйте прилад після охолодження.

- Після підключення до електромережі на РК-дисплеї відобразиться «3» (4).
- Опустіть змішувальну деталь (7) у контейнер для продуктів (не входить у комплект). Перед запуском приладу повністю занурте лезо (8) у інгредієнти.
УВАГА: Не слід занурювати частину змішування (7) вище позначки «макс.».
- Міцно тримайте основний блок (10) однією рукою, а контейнер для змішування іншою рукою.
- Натисніть і утримуйте кнопку ввімкнення/вимкнення (1), після чого прилад почне безперервно змішуватися.
- Використовуйте лагідний рух вгору та вниз, щоб плавно змішувати інгредієнти.
- Щоб уникнути розбризкування їжі, не піднімайте прилад з інгредієнтів під час роботи.
- Щоб вибрати швидкість леза, натисніть кнопку + (2) або - (3) (діапазон швидкості: 1-6) під

час роботи. Швидкість леза відображається на РК-дисплеї (4).

Примітка: Не потрібно одночасно натискати кнопку УВІМК./ВИМК. (1) при виборі швидкості лез.

- Після завершення роботи відпустіть кнопку ввімкнення/вимкнення (1), щоб вимкнути прилад.
- Зачекайте, доки лезо (8) повністю не зупиниться. Потім від'єднайте його від електромережі.
- Поверніть головний блок (10) за годинниковою стрілкою, щоб розібрати частину змішування (7) для очищення.

Примітка:

1. Натисніть і утримуйте кнопку зменшення та збільшення + (2) або - (3) для швидкого регулювання.
2. Після підключення до електромережі швидкість леза за замовчуванням буде встановлено на «3».

Очищення та технічне обслуговування

Увага: Завжди відключайте прилад від електричної розетки і дайте йому повністю охолонути перед очищенням і розбиранням змішувальної частини (7).

Очищення

- Видаліть усі перешкоди біля леза.
- Помістіть вазиль змішування та дзвіночок у відповідний контейнер із чистою водою та увімкніть на кілька секунд. Ніколи не занурюйте вал над макс. відміткою.

- Ніколи не занурюйте моторний блок або ручку у воду; очистіть вологою ганчіркою або губкою.

ПОПЕРЕДЖЕННЯ: Завжди ретельно висушуйте леза після очищення, щоб уникнути утворення іржі.



Рекомендована процедура очищення:

Частини	Як чистити	Частота
Основний блок з двигуном (10)	<ul style="list-style-type: none">• Ніколи не занурюйте цю деталь у воду або інші рідини.• За допомогою вологої ганчірки з невеликою кількістю миючого засобу та води промийте, дезінфікуйте та ретельно висушіть.	Очищуйте після кожного використання
Змішувальна частина (7)	<ul style="list-style-type: none">• Помийте її теплою водою з невеликою кількістю м'якого миючого засобу. Не занурюйте змінну частину змішування (7) вище позначки Макс..• Висушіть усі деталі перед повторним використанням.	
Лезо (8)	<ul style="list-style-type: none">• Увага! Існує ризик травмування! Будьте дуже обережні при чистенні лез.• Помийте її теплою водою з невеликою кількістю м'якого миючого засобу.• Після очищення ретельно висушіть його.	

Зберігання

- Перед зберіганням переконайтеся, що прилад вже від'єднано від електричної розетки та повністю охолоджено.
- Зберігайте прилад у прохолодному, чистому та сухому місці та зберігайте в недоступному для дітей місці.

Усунення несправностей

Якщо прилад не працює належним чином, зверніться до наведеної нижче таблиці для отримання рішення. Якщо ви все ще не можете вирішити

проблему, зверніться до постачальника послуг/постачальника послуг.


Проблеми	Можливі причини	Можливе рішення
Прилад не вмикається	Вилка живлення не підключена належним чином до відповідного джерела живлення.	Перевірте, чи правильно під'єднано вилку до відповідної електричної розетки.
	Кнопка ввімкнення/вимкнення (1) не натиснута.	Натисніть і утримуйте кнопку ввімкнення/вимкнення (1), щоб увімкнути прилад.
Патологічні шуми під час обробки	Змішувальна частина (7) під'єднана неправильно.	Знову розберіть та зберіть змішувальну деталь (7).
Прилад не працює	Активуються внутрішні пристрої для перегріву.	Дайте приладу охолонути, перш ніж знову почати роботу.
Прилад перегрівся	Робота понаднормової роботи	Відпустіть кнопку УВІМК./ВИМК. і від'єднайте пристрій від мережі живлення, зачекайте 10 хвилин, поки двигун охолоне.

Технічні характеристики

Номер елемента: 222157

Робоча напруга та частота: 230V~ / 50Hz

Номінальна вхідна потужність: 250W

Клас захисту: Клас II 

Розмір: прибл. 71 x 71 x (H) 444 мм

Вага нетто: прибл. 1,6 кг

Швидкість обертання (об/хв): прибл. від 6600 до 13 500

Рівень шуму: < 85dB(A)

Клас водонепроникності: IP23

Зауваження: Технічні характеристики можуть змінюватися без попереднього повідомлення.



Перелік деталей для дослідження 222157

Номер частини	Назва частини	Кількість
1	Титанові леза в зборі	1
2	Ущільнювальне кільце валу леза	1
3	Фіксація втулки	1
4	Носіння	1
5	Сталеве кільце	1
6	Тісто	1
7	Голова вала	1
8	Кришка монтажного вала	1
9	Кільце форми Е	1
10	Вал леза	1
11	Штир валу леза	1
12	Стрижень сплайну	1
13	Кільце противібраційного ущільнення	1
14	Кільце з покриттям	1
15	Кільце проти вібрації для двигуна	1
16	Гвинт для двигуна	4
17	Кріпильна пластина двигуна	1
18	Сплайновий рукав	1
19	Двигун	1
20	Правий корпус	1
21	Ліва шафа	1
22	Кришка, що поглинає двигун	2
23	Гвинт кріплення двигуна	2
24	Права та ліва гайка кріплення «нав'язливого об'єму»	2
25	Вентилятор двигуна	1
26	Верхній корпус	1
27	Гвинт кріплення всіх корпусів	2
28	Гумова кнопка ввімкнення/вимкнення	1
29	Кронштейн для кріплення кнопки	1
30	Дошка живлення	1
31	Монтажний гвинт	5
32	Панель керування	1
33	Верхня кришка	1
34	Гвинт кріплення верхнього корпусу	2
35	Контрольна наклейка	1
36	Полегшення штаму	1
37	Шнур живлення зі штепсельною вилкою	1
38	Рамка кріплення двигуна	1

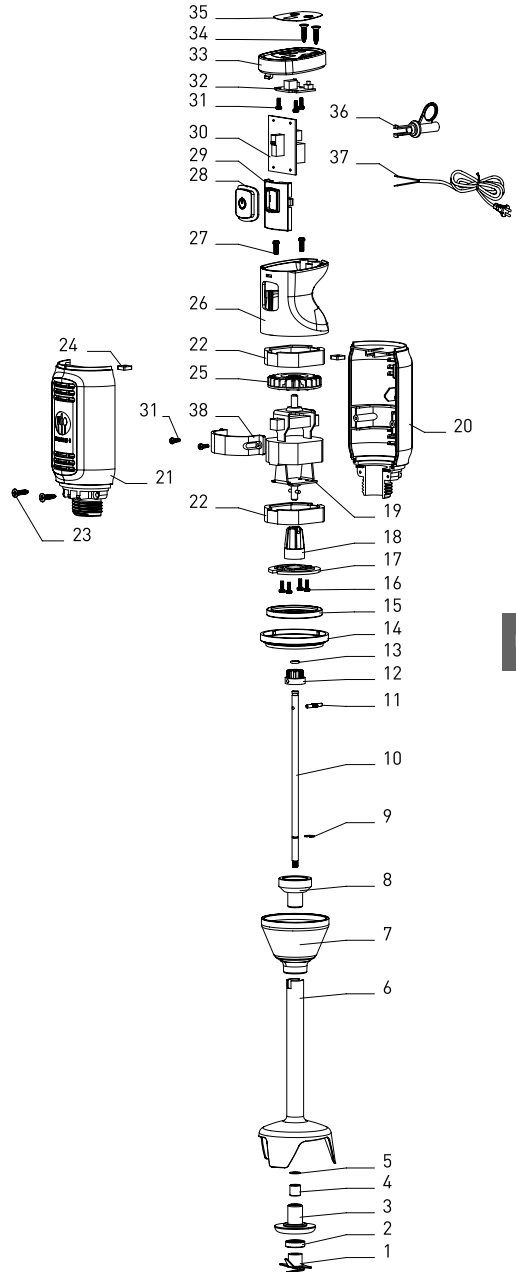
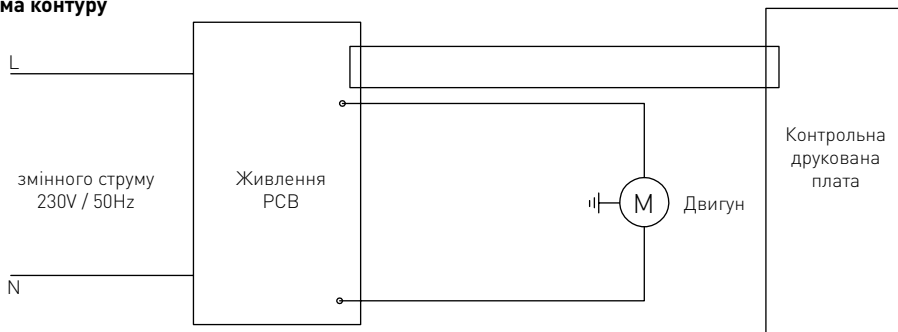


Схема контуру



Гарантія

Будь-який дефект, що впливає на функціональність приладу, який стає очевидним протягом одного року після покупки, буде відремонтований безкоштовним ремонтом або заміною за умови, що прилад був використаний і підтримується відповідно до інструкцій, і жодним чином не був зловживаний або зловживаний. Ваші законні права не зачіпаються. Якщо прилад заявлений

по гарантії, вкажіть, де і коли він був придбаний, і додайте підтвердження покупки (наприклад, квитанцію).

Відповідно до нашої політики постійного розвитку продукції, ми залишаємо за собою право без попередження змінювати специфікації продукту, упаковки та документації.

Відхилення & середовища

При знятті з експлуатації приладу виріб не можна утилізувати з іншими побутовими відходами. Замість цього, це ваша відповідальність, щоб розпоряджатися своїм відпрацьованим обладнанням, передавши його в призначений пункт збору. Недотримання цього правила може бути покараний відповідно до чинних нормативних актів з утилізації відходів. Окремий збір і переробка вашого відпрацьованого обладнання на момент утилізації допоможе зберегти природні ресурси

і гарантувати, що він переробляється таким чином, що захищає здоров'я людини і навколишнє середовище.

Для отримання додаткової інформації про те, де ви можете скинути свої відходи на переробку, будь ласка, зв'яжіться з місцевою компанією з збору відходів. Виробники та імпортери не беруть на себе відповідальність за утилізацію, обробку та екологічну утилізацію як безпосередньо, так і через державну систему.

Täname, et ostsite selle Hendi seade. Lugege seda juhendit hoolikalt, pöörates erilist tähelepanu allpool toodud ohutuseeskirjadele, enne selle seadme paigaldamist ja kasutamist esimest korda.


Ohutuseeskirjad

- See seade on mõeldud äriliseks kasutamiseks.
- Kasutage seadet ainult selleks ettenähtud otstarbel, mis on ette nähtud käesolevas juhendis kirjeldatud viisil.
- Tootja ei vastuta vigastuste eest, mis on põhjustatud ebaõigest tööst ja ebaõigest kasutamisest.
- Hoidke seadet ja elektripistikut veest ja muudest vedelikest eemal. Kui seade langeb vette, eemaldage kohe pistik pistikupesast. Ärge kasutage seadet enne, kui sertifitseeritud tehnik on seda kontrollinud. Nende juhiste eiramine põhjustab eluohtlikke riske.
- Ärge kunagi püüdke seadme korpust ise avada.
- Ärge sisestage esemeid seadme korpusesse.
- Ärge puudutage pistikut märgade või niiskete kätega.
- ⚡ **ELEKTRILÖÖGI OHT!** Ärge püüdke seadet ise parandada, remonti teostavad ainult kvalifitseeritud personal.
- **Ärge kunagi kasutage kahjustatud seadet!** Kui see on kahjustatud, ühendage seade pistikupesast lahti ja võtke ühendust jaemüüjaga.
- **HOIATUS!** Ärge pange seadme elektrilisi osi vette ega muid vedelikke.
- Ärge kunagi hoidke seadet jooksva vee all.
- Kontrollige regulaarselt toitepistikut ja -juhet mis tahes kahjustuste eest. Kui see on kahjustatud, tuleb see asendada teenindusagendi või sarnase kvalifikatsiooniga isikuga, et vältida ohtu või vigastusi.
- Veenduge, et juhe ei puutuks kokku teravate või kuumade esemetega ja hoia seda avatud tulest eemal. Ärge kunagi tõmmake toitejuhet, et see pistikupesast lahti ühendada, tõmmake alati selle asemel pistik.
- Veenduge, et toitejuhe ja/või pikendusjuhe ei põhjustaks sõiduohu.
- Ärge jätke seadet kasutamise ajal järelevalveta.
- **HOIATUS!** Niikaua kui pistik on pesas, on seade ühendatud toiteallikaga.
- Lülitage seade välja enne pistikupesast lahti.
- Ühendage toitepistik kergesti ligipääsetava pistikupesaga, nii et hädaolukorras saab seadet kohe lahti ühendada.
- Ärge kunagi kandke seadet juhtmega.
- Ärge kasutage lisaseadmeid, mida koos seadmega ei tarnita.
- Ühendage seade ainult pistikupesaga seadme etiketil mainitud pinge ja sagedusega.
- Ärge kunagi kasutage muid tarvikuid kui tootja poolt soovitatud. Selle tegemata jätmine võib ohustada kasutajat ja võib seadet kahjustada. Kasutage ainult originaalseid osi ja tarvikuid.
- Seda seadet ei tohi kasutada isikud, kellel on vähenenud füüsiline, sensoorne või vaimne võimekus, või isikud, kellel puuduvad kogemused ja teadmised.
- Seda seadet ei tohi mingil juhul kasutada lapsed.



- Hoidke seade ja toitejuhe lastele kättesaamatus kohas.
- **HOIATUS:** Lülitage seade alati välja ja eemaldage pistikupesast enne puhastamist, hooldamist või ladustamist.


Ohutuse erieeskirjad

- Kasutage seadet ainult käesolevas juhendis kirjeldatud viisil. Ainult siseruumides kasutamiseks.
- Seda seadet peaks kasutama ja paigaldama toiduainetööstuse köögis väljaõppe saanud personal, näiteks toitlustamised, restoran, baarid jne.
- Kõiki hooldus-, paigaldus- ja parandustöid peab tegema vastava väljaõppe saanud volitatud tehnik.
- Hoidke seade eemal kuumadest pindadest ja lahtisest leegist. Kasutage seadet alati tasasel, stabiilsel, puhtal, kuumakindlal ja kuival pinnal.
- Kandke töö ajal vajaduse korral kaitseriietust, -maski või -prille.
- See seade ei ole mõeldud kasutamiseks välise taimeri või eraldi kaugjuhtimissüsteemi abil.
- **HOIATUS:** Hoidke kõik seadme ventilatsioonivad takistustest eemal.
- **HOIATUS:** Hoidke kasutamise ajal käed ja tarvikud konteinerist eemal, et vähendada raskete kehavigastuste ja/või blenderi kahjustamise ohtu.
- Ohtude vältimiseks jätke seadme ümber vähemalt 20 cm ruumi.
- **Ettevaatust!** Paigaldage vajadusel toitejuhe kindlalt, et vältida soovimatut tõmbamist või kokkupuudet liikuva teraga.
- Ärge kastke võlli vette ega alla 5 cm vedeliku sisse.
- Ärge kasutage seadet pidevalt, et vältida mootori ülekuumenemist. Pidev tööaeg ei tohi ületada 3 minutit. Kasutage seadet uuesti pärast jahutamist.
- Ärge kasutage seadet väljaspool mahutit.
- Ärge puudutage lõiketera, terakaitset ega liikuvaid osi. Hoidke sõrmed, juuksed, riided ja tarvikud liikuvatest osadest eemal.
- Ärge peske seadet vee või veejetiga. Veega pesemine võib põhjustada lekkeid ja suurendada elektrilöögi ohtu. Ükski osa ei ole nõudepesumasinakindel.
- Vältimaks juhtme kahjustamist, ärge pigistage, painutage ega kangutage seda teravatele servadele. Hoidke seda eemal ka kuumadest pindadest ja lahtisest leegist. Ärge laske pöörlevatel teradel toitejuhtme vastu puutuda.
- Asetage toitekaabel nii, et see ei saaks kogemata tõmmata ega ümber paiskuda.
- Ärge puhastage ega hoiustage masinat, kui see pole täielikult jahtunud.
- **Vigastusoh!** Teravate lõiketerade käsitlemisel puhastamise ajal tuleb olla ettevaatlik.
-  See seade on klassifitseeritud II kaitseklassiks.

Kavandatud kasutus

- See seade on mõeldud professionaalseks kasutamiseks.
- See seade on mõeldud ainult sobiva pehme koostisaine purustamiseks, segamiseks, kokku puistamiseks ja püreestamiseks. Muul viisil kasutamine võib seadet kahjustada või põhjustada

Seadme põhiosad

1. SISSE/VÄLJA-lüliti : Pidevaks tööks vajutage ja hoidke all; töö lõpetamiseks vabastage nupp
2. Kiiruseseadete suurendamine + :
Suurendage kiirust vahemikus 1 kuni 6
3. Vähendage kiiruse sätet - :
Vähendage kiirust vahemikus 1 kuni 6
4. LCD-ekraan: Kiiruseseade näitamiseks
5. Käepide
6. Ventilatsioonivavad
7. Eemaldatav segamisosa
8. Lõiketera
9. Terakaitse
10. Mootoriga põhiseade

kehavigastusi.

- Seadme mis tahes muul otstarbel kasutamist loetakse seadme väärkasutuseks. Kasutaja vastutab ainuisikuliselt seadme ebaõige kasutamise eest.



Ettevalmistused enne kasutamist

- Eemaldage kogu kaitsepakend ja pakend.
- Kontrollige seadme tervikkust ja transpordikahjustusi. Ebatäieliku tarne või kahjustuse korral võtke kohe ühendust tarnijaga. ÄRGE kasutage seadet. (Vt ==> Garantii).

- Enne kasutamist puhastage seade (vt ==> Puhastamine ja hooldus).
- Veenduge, et seade on täiesti kuiv.
- Toidu koostisosade ettevalmistamine töötlemiseks.

Enne kasutamist

- Enne kasutamist lugege käesolev juhend põhjalikult ja hoolikalt läbi.
- Veenduge, et seade on paigutatud kuiva kohta, kus pole takistusi, mis takistaksid seadme tööd.

- Kontrollige, kas elektritoide vastab seadme andmesildile.
- Veenduge, et segamisosa (7) on mootoriosaga (10) kindlalt koos korpusega paigaldatud.

Transportimine

- Ärge liigutage töötavat seadet. Kui liigute teise kohta, eemaldage seade vooluvõrgust.

- Liikudes hoidke kinni seadme käepidemest.

Kasutamine

Järgige alati järgmisi ohutusalaseid nõuandeid!

- Veenduge alati, et seade on vooluvõrgust lahti ühendatud, enne kui selle segamisosaga (7) kokku panete.
- Ärge kunagi pange käsi toidunõusse (ei kuulu komplekti). Kasutage alati puit- või plastspaatleid ja ainult siis, kui seade ei tööta.

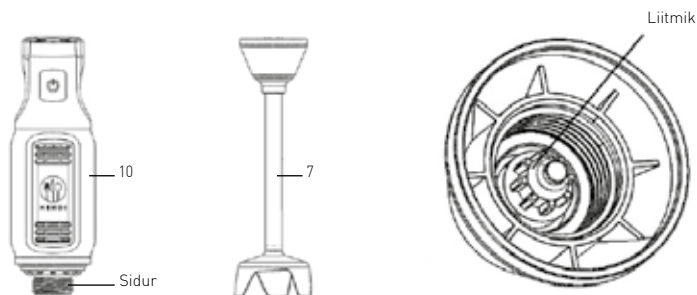
- Ülekuumenemise vältimiseks ärge kasutage seadet, kui selle sees ei ole toitu või kui on kõvasid toiduaineid, kuuma vedelikku, tugevat tainast vms.
- **HOIATUS!** Eemaldage seade vooluvõrgust kohe pärast kasutamist.



Adapterite kokkupanemine/lahtivõtmine

Seadme kokkupanemise/lahtivõtmise ajal seisatakse seade ja ühendatakse see vooluvõrgust lahti.

Põhiseade (10) ja segamisosa (7):



Lahtivõtmine:

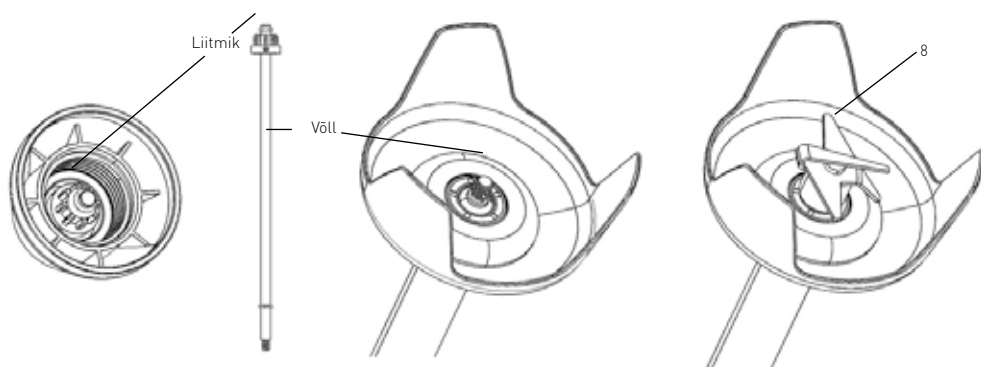
1. Hoidke põhiüksust (10) ja keerake segamisosa (7) päripäeva välja, kuni see on täielikult lahti tulnud.

Kokkupanek:

1. Joondage üleminekuosa (7) liitmik põhiüksuse (10) siduriga.
2. Keerake segamisosa (7) vastupäeva sisse, kuni see on täielikult pingutatud.

Osa (7) ja tera (8) segamine:

ETTEVAATUST! Lahtivõtmiseks kandke kaitsekindaid (ei kuulu komplekti).



Lahtivõtmine:

1. Hoidke üleminekuosa (7) liitmikku ja keerake tera (8) vastupäeva välja, kuni see on täielikult lahti tulnud.
2. Hoidke segamisosa (7) ja tõmmake võll välja.

Kokkupanek:

1. Sisestage võll üleminekuosasse (7), kuni see on täielikult sisestatud.
2. Hoidke üleminekuosa (7) liitmikku ja keerake tera päripäeva, kuni see on täielikult kinni.

Sobib:	<ul style="list-style-type: none"> • Segab mahlasid ja kokteile • Pehme te koostisosade (nt pannkoogitaina või majonees) segamine. • Kõõgiviljade (nt porgandite) segamine supiks
Ettevalmistus:	<ul style="list-style-type: none"> • Koorige või kõigutage toit ja lõigake väikesteks tükkideks. • Pange toit sobivasse anumasse mahuga 1–4 liitrit.
Maksimaalne pideva töö aeg	3 minutit, et vältida mootori ülekuumenemist. Laske seadmel pärast jahtumist uuesti töötada.

- Kui seade on ühendatud toitepistikuga, kuvatakse LCD-ekraanil (4) teade "3".
- Langetage segamisosa (7) toidunõusse (ei kuulu komplekti). Pange tera (8) enne seadme käivitamist täielikult koostisainetesse.
TÄHELEPANU: Ärge kastke segamisosa (7) üle tähise **Max**.
- Hoidke põhiseadet (10) kindlalt ühe käega ja teise käega segamismahutit.
- Vajutage ja hoidke all SISSE/VÄLJA-nuppu (1); seejärel alustab seade pidevat segamist.
- Kasutage toidu koostisosade sujuvaks segamiseks õrnalt üles-alla liigutusi.
- Toidupritsmete vältimiseks ärge tõstke seadet kasutamise ajal toiduainetest välja.
- Valige löiketera kiirus, vajutades töö ajal nuppu +

(2) või - (3) (kiirusvahemik: 1 kuni 6). Tera kiirust näidatakse LCD-ekraanil (4).

Märkus. Terakiiruse samaaegsel valimisel ei ole vaja vajutada SISSE/VÄLJA-nuppu (1).

- Pärast töö lõpetamist vabastage nupp ON/OFF (1), et seade välja lülitada.
- Oodake, kuni löiketera (8) peatub täielikult. Seejärel eemaldage see vooluvõrgust.
- Keerake põhiüksust (10) päripäeva, et eemaldada segamisosa (7) puhastamiseks.

Märkus.

1. Kiiremaks reguleerimiseks vajutage ja hoidke all vähendamise ja suurendamise nuppu + (2) või - (3).
2. Pärast ühendamist seatakse tera vaikekiiruseks 3.

EE

Puhastamine ja hooldus

Tähelepanu: Enne segamisosa (7) puhastamist ja lahtivõtmist eemaldage see alati vooluvõrgust ja laske täielikult maha jahtuda.

Puhastamine

- Eemaldage kõik takistused löiketera lähedalt.
- Asetage segamisvarras ja kell sobivasse puhta veega anumasse ja lülitage see mõneks sekundiks sisse. Ärge kunagi kastke võlli üle maksimaalse tähise.

- Ärge kunagi kastke mootoriseadet või käepidete vette; puhastage niiske lapi või käsna.

HOIATUS: Kuivatage terad pärast puhastamist alati põhjalikult, et vältida rooste teket.

Soovitav puhastusprotseduur:

Osad	Kuidas puhastada	Sagedus
Mootoriga põhiseade (10)	<ul style="list-style-type: none"> • Ärge kunagi kastke seda osa vette ega muudesse vedelikesse. • Kasutades niisket lappi vähese puhastusvahendi ja veega, loputage, desinfitseerige ja kuivatage põhjalikult. 	Puhastage pärast iga kasutuskorda
Segatav osa (7)	<ul style="list-style-type: none"> • Puhastage seda sooja vee ja õrnatoimelise pesuainega. Ärge sukeldage eemaldatavat segamisosa (7) Max märgist kõrgemale. • Kuivatage kõik osad enne uuesti kasutamist. 	
Löiketera (8)	<ul style="list-style-type: none"> • Hoiatus! Vigastuse oht! Olge terade puhastamisel väga ettevaatlik. • Puhastage seda sooja vee ja õrnatoimelise pesuainega. • Pärast puhastamist kuivatage põhjalikult. 	



Hoiustamine

- Enne hoiule panemist veenduge, et seade on vooluvõrgust lahti ühendatud ja täielikult maha jah-
tunud.
- Hoidke seadet jahedas, puhtas ja kuivas kohas ning lastele kättesaamatus kohas.

Tõrkeotsing

Kui seade ei tööta korralikult, kontrollige lahuse kohta allolevat tabelit. Kui teil ei õnnestu probleemi

ikkagi lahendada, võtke ühendust tarnija/teenuse-
pakkujaga.

Probleemid	Võimalikud põhjused	Võimalik lahendus
Seade ei lülitu sisse	Toitepistik ei ole korralikult sobi- va toiteallikaga ühendatud.	Kontrollige, kas toitepistik on korralikult ühenda- tud sobivasse pistikupessa.
	SISSE/VÄLJA-nuppu (1) ei ole va- jutatud.	Vajutage ja hoidke SISSE/VÄLJA-nuppu (1), et sea- de sisse lülitada.
Ebanormaalsed helid töötle- mise ajal	Segamisosa (7) ei ole õigesti ühendatud.	Võtke segamisosa (7) uuesti lahti ja kokku.
Seade ei saa töötada	Sisemine ülekuumenemisseade aktiveerub.	Laske seadmel enne uuesti kasutamist jahtuda.
Seade on ülekuumenenud	Ületunnitöö	Vabastage nupp ON/OFF (SEES/VÄLJAS) ja eemal- dage seade vooluvõrgust, oodake 10 minutit, kuni mootor jahtub.

Tehnilised andmed

Artikli nr: 222157

Tööpinge ja -sagedus: 230V- / 50Hz

Nimisisendvõimsus: 250W

Kaitseklass: II klass 

Veekindluse kaitseklass: IP23

Mõõtmed: umbes 71 x 71 x (H) 444 mm

Netokaal: umbes 1,6 kg

Pöörlemiskiirus (p/min): umbes 6600 kuni 13 500

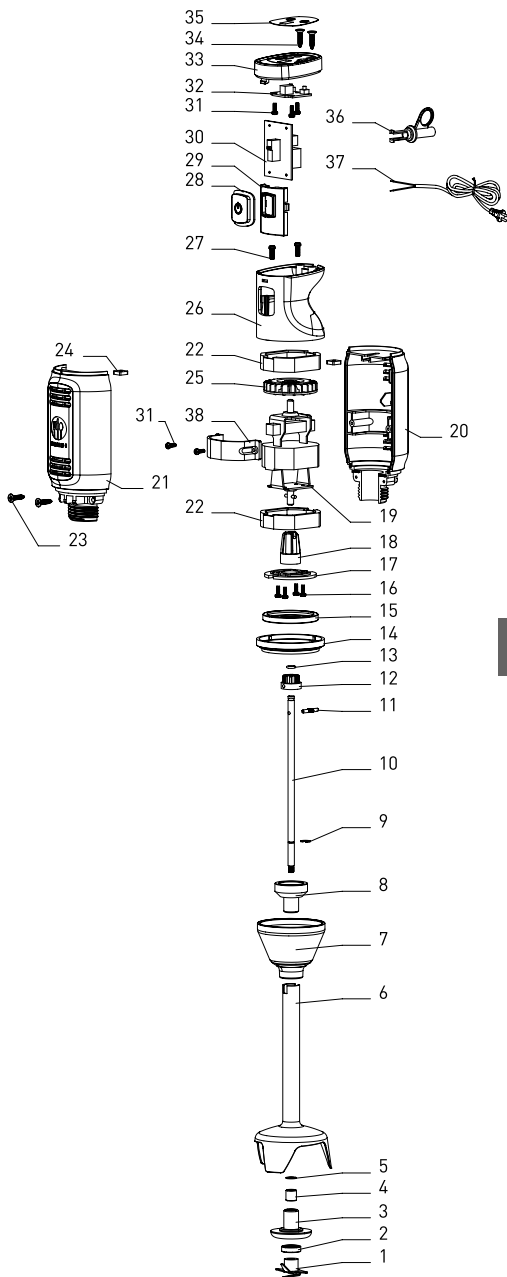
Müratase: < 85dB(A)

Märkus: Tehnilisi andmeid võidakse muuta ilma eelneva teavitamiseta.



Toote 222157 osade loend

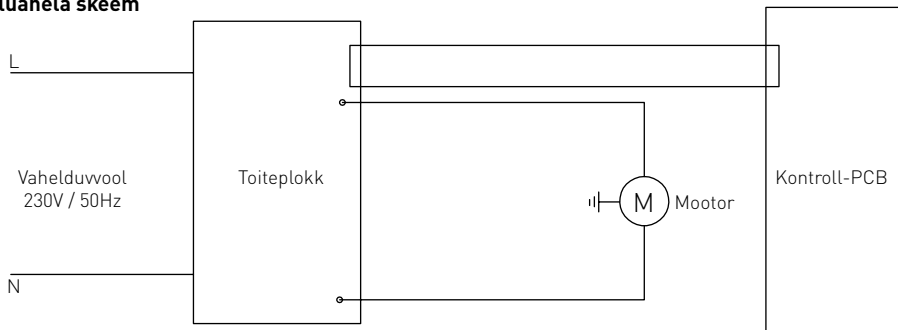
Osa nr	Osa nimi	Kogus
1	Titaanist terakoost	1
2	Tera võlli tihendusrõngas	1
3	Läbiviigu kinnitamine	1
4	Laagrid	1
5	Terasrõngas	1
6	Võll	1
7	Võlli pea	1
8	Paigaldusvõlli kate	1
9	E-kujurõngas	1
10	Tera võll	1
11	Tera võlli tihvt	1
12	Ühendusvõll	1
13	Vibratsioonivastane tihendirõngas	1
14	Kaetud rõngas	1
15	Vibratsioonivastane rõngas mootorile	1
16	Mootorikruvi	4
17	Mootori kinnitusplaat	1
18	Kõvera trossihaarats	1
19	Mootor	1
20	Parem korpus	1
21	Vasak ümbris	1
22	Mootori imamiskate	2
23	Mootori kinnituskruvi	2
24	Parem ja vasak kinnitusmutter on kindlalt kinni	2
25	Mootori ventilaator	1
26	Ülemine korpus	1
27	Kõigi korpuste kinnituskruvi	2
28	Sisse/välja-nupu kummi	1
29	Nupu kinnitamise raam	1
30	Toiteplokk	1
31	Kinnituskruvi	5
32	Juhtpaneel	1
33	Ülemine kate	1
34	Ülemise ümbrise kinnituskruvi	2
35	Juhtkleebis	1
36	Tüve vabastamine	1
37	Toitekaabel pistikuga	1
38	Mootori kinnitusraam	1



EE



Vooluahela skeem



Garantii

Seadme funktsionaalsust mõjutav defekt, mis ilmneb ühe aasta jooksul pärast ostu sooritamist, parandatakse tasuta remondi või asendamisega tingimusel, et seadet on kasutatud ja hooldatud vastavalt juhistele ning seda ei ole mingil viisil kuritarvitatud ega väärkasutatud. Teie seadusjärgseid õigusi ei mõjuta. Kui seadet taotletakse garantii

alusel, märkige, kus ja millal see osteti, ning lisage ostutõend (nt kvititung).

Kooskõlas meie pideva tootearenduse poliitikaga jätame endale õiguse muuta toote, pakendi ja dokumentatsiooni spetsifikatsioone ilma ette teatamata.

Loobumine ja keskkond

Seadme kasutamise lõpetamisel ei tohi toodet koos teiste olmejäätmetega ära visata. Selle asemel on teie kohustus käsutada oma jäätmeseadmed, andes selle üle määratud kogumispunkti. Selle reegli järgimata jätmist võib karistada vastavalt kehtivatele jäätmete kõrvaldamist käsitlevatele eeskirjadele. Teie jäätmeseadmete eraldi kogumine ja ringlussevõtt kõrvaldamise ajal aitab säilitada

loodusvarasid ja tagada, et need võetakse ringlusesse viisil, mis kaitseb inimeste tervist ja keskkonda. Lisateabe saamiseks selle kohta, kus saate oma jäätmeid ringlussevõtuks loobuda, võtke palun ühendust kohaliku jäätmekogumisettevõttega. Tootjad ja importijad ei võta vastutust ringlussevõtu, töötlemise ja ökoloogilise kõrvaldamise eest kas otse ega avaliku süsteemi kaudu.

Paldies, ka iegādājāties šo Hendi ierīci. Pirms šīs ierīces uzstādīšanas un lietošanas pirmo reizi uzmanīgi izlasiet šo rokasgrāmatu, īpašu uzmanību pievēršot turpmāk izklāstītajiem drošības noteikumiem.


Drošības noteikumi

- Šī ierīce ir paredzēta komerciālai lietošanai.
- Ierīci lietojiet tikai paredzētajam mērķim, kas paredzēts, kā aprakstīts šajā rokasgrāmatā.
- Ražotājs nav atbildīgs par jebkādiem bojājumiem, ko izraisa nepareiza darbība un nepareiza lietošana.
- Turiet ierīci un elektrisko kontaktdakšu prom no ūdens un citiem šķidrumiem. Gadījumā, ja ierīce nokļūst ūdenī, nekavējoties noņemiet strāvas kontaktdakšu no kontaktligzdas. Nelietojiet ierīci, kamēr to nav pārbaudījis sertificēts tehniķis. Šo instrukciju neievērošana radīs dzīvībai bīstamus riskus.
- Nekad nemēģiniet atvērt ierīces korpusu pats.
- Neievietojiet priekšmetus ierīces korpusā.
- Neaiztieciet kontaktdakšu ar mitrām vai mitrām rokām.
- ⚡ **ELEKTRISKĀS STRĀVAS TRIECIENA BĪSTAMĪBA!** Nemēģiniet remontēt ierīci pats, remontu veic tikai kvalificēts personāls.
- **Nekad nelietojiet bojātu ierīci!** Kad ierīce ir bojāta, atvienojiet ierīci no kontaktligzdas un sazinieties ar mazumtirgotāju.
- **BRĪDINĀJUMS!** Neiegremdējiet ierīces elektriskās daļas ūdenī vai citos šķidrumos.
- Nekad neturiet ierīci zem tekoša ūdens.
- Regulāri pārbaudiet strāvas kontaktdakšu un vadu par jebkādiem bojājumiem. Ja tas ir bojāts, tas jāaizstāj ar dienesta aģentu vai līdzīgi kvalificētu personu, lai izvairītos no briesmām vai ievainojumiem.
- Pārliedzinieties, vai vads nenonāk saskarē ar asiem vai karstiem priekšmetiem un turiet to prom no atklātas uguns. Nekad nevelciet strāvas vadu, lai to atvienotu no kontaktligzdas, vienmēr velciet kontaktdakšu.
- Pārliedzinieties, vai strāvas vads un/vai pagarinātājs nerada brauciena bīstamību.
- Lietošanas laikā nekad neatstājiet ierīci bez uzraudzības.
- **BRĪDINĀJUMS!** Kamēr kontaktdakša atrodas kontaktligzdā, ierīce ir pievienota strāvas avotam.
- Izslēdziet ierīci, pirms to atvieno no kontaktligzdas.
- Pievienojiet strāvas kontaktdakšu viegli pieejamai elektriskajai kontaktligzdai, lai avārijas gadījumā ierīci varētu nekavējoties atvienot.
- Nekad nevelciet ierīci ar vadu.
- Nelietojiet papildu ierīces, kas netiek piegādātas kopā ar ierīci.
- Savienojiet ierīci tikai ar elektrības kontaktligzdu ar spriegumu un frekvenci, kas minēta ierīces etiķetē.
- Nekad nelietojiet piederumus, izņemot tos, ko iesaka ražotājs. Ja tas nav izdarīts, lietotājs var apdraudēt drošību un var sabojāt ierīci. Izmantojiet tikai oriģinālās detaļas un piederumus.



- Šo ierīci nedrīkst darbināt personas ar mazākām fiziskām, maņu vai garīgām spējām vai personas, kurām ir pieredzes un zināšanu trūkums.
- Šo ierīci nekādā gadījumā nedrīkst lietot bērni.
- Uzglabāt ierīci un tās strāvas vadu bērniem nepieejamā vietā.
- **BRĪDINĀJUMS:** Vienmēr izslēdziet ierīci un atvienojiet no strāvas kontaktligzdas pirms tīrīšanas, apkopes vai uzglabāšanas.

Īpaši drošības noteikumi

- Izmantojiet ierīci tikai tā, kā aprakstīts šajā rokasgrāmatā. Izmantojiet tikai iekšstelpās.
- Šo ierīci drīkst izmantot un uzstādīt tikai specializēti apmācīts personāls, kas strādā pārtikas rūpniecības virtuvē, piemēram, ēdināšanas uzņēmumi, restorāni, bāri utt.
- Visus apkopes, uzstādīšanas un labošanas darbus drīkst veikt tikai kvalificēti un kvalificēti speciālisti.
- Turiet ierīci tālāk no karstām virsmām un atklātas liesmas. Vienmēr darbiniet ierīci uz līdzenas, stabilas, tīras, karstumizturīgas un sausas virsmas.
- Ja nepieciešams, lietošanas laikā valkājiet aizsargapģērbu, masku vai aizsargbrilles.
- Ierīce nav paredzēta izmantošanai ar ārēju laika slēdzi vai atsevišķu tālvadības sistēmu.
- **BRĪDINĀJUMS:** Nenobloķējiet ierīces ventilācijas atveres.
- **BRĪDINĀJUMS:** Lai samazinātu nopietnu traumu un/vai blendera bojājumu risku, darba laikā turiet rokas un piederumus ārpus tvertnes.
- Lai izvairītos no bīstamības, atstājiet vismaz 20 cm attālumu ap ierīci.
- **Uzmanību!** Ja nepieciešams, droši izvietojiet barošanas vadu, lai novērstu nejaušu pavilkšanu vai saskari ar kustīgo asmeni.
- Neiegremdējiet vārpstu ūdenī vai šķidrumā, kas mazāks par 5 cm.
- Nelietojiet ierīci nepārtraukti, lai nepieļautu motora pārkaršanu. Nepārtrauktas darbības laiks nedrīkst pārsniegt 3 minūtes. Darbiniet ierīci vēlreiz pēc tam, kad tā ir atdzisusi.
- Nelietojiet mašīnu ārpus tvertnes.
- Nepieskarieties nažiem, naža aizsargam un kustīgajām daļām. Turiet pirkstus, matus, apģērbu un piederumus atstatu no visām kustīgajām daļām.
- Nemazgājiet ierīci, izmantojot ūdens vai ūdens strūklu. Mazgāšana ar ūdeni var izraisīt noplūdi un palielināt elektriskās strāvas trieciena risku. Neviena detaļa nav mazgājama trauku mazgājamajā mašīnā.
- Lai nesabojātu vadu, nespiediet, nesalieciet un nesabojājiet to uz asām malām. Sargājiet to no karstām virsmām un atklātām liesmām. Neļaujiet rotējošiem nažiem saskarties ar strāvas vadu.
- Izklājiet barošanas vadu tā, lai nebūtu iespējama nejauša vilkšana vai pakļupšana.
- Netīriet un neuzglabājiet mašīnu, ja tā nav pilnīgi atdzisusi.
- **Traumu gūšanas risks!** Ievērojiet piesardzību, tīrīšanas laikā darbojoties ar asajiem asmeņiem.
-  Šī ierīce ir II aizsardzības klases.


Paredzētais pielietojums

- Šī ierīce ir paredzēta profesionālai lietošanai.
- Šī ierīce ir paredzēta tikai atbilstošu mīkstu sastāvdaļu sasmalcināšanai, jaukšanai, smalcināšanai un attīrīšanai traukā. Izmantojot ierīci citos veidos, tā var tikt sabojāta vai gūt miesas

bojājumus.

- Ierīces lietošana jebkādiem citiem nolūkiem uzskatāma par ierīces nepareizu izmantošanu. Lietotājs ir atbildīgs tikai par ierīces neatbilstošu izmantošanu.

Ierīces galvenās daļas

1. Ieslēgšanas/izslēgšanas slēdzis : Nospiediet un turiet nospiestu, lai nodrošinātu nepārtrauktu darbību; atlaidiet pogu, lai apturētu darbību
2. Palieliniet ātrumu + :
3. Palieliniet ātrumu no 1 līdz 6
4. Samazināt ātruma iestatījumu -
5. Samazināt ātrumu no 1 līdz 6
6. LCD displejs: Rāda ātruma iestatījumu
7. Rokturis
8. Ventilācijas atveres
9. Noņemama blendēšanas daļa
10. Asmens
11. Nažu aizsargs
12. Galvenā iekārta ar motoru



Sagatavošanās pirms lietošanas

- Noņemiet visu aizsargiekārtu un iesaiņojumu.
- Pārbaudiet, vai ierīce ir nokomplektēta un vai tai nav transportēšanas bojājumu. Nepabeigtas piegādes vai bojājumu gadījumā nekavējoties sazinieties ar piegādātāju. NELIETOJIET ierīci. (Skatiet ==> Garantija).

tiet ==> Garantija).

- Tīriet ierīci pirms lietošanas (skatiet=> Tīrīšana un apkope).
- Pārliedziniet, ka ierīce ir pilnīgi sausa.
- Pārtikas sastāvdaļu sagatavošana apstrādei.

Pirms ekspluatācijas

- Pirms ekspluatācijas rūpīgi un uzmanīgi izlasiet šo rokasgrāmatu.
- Pārliedziniet, ka ierīce ir novietota sausā vietā, neradot šķēršļus, lai bloķētu darbību.

- Pārbaudiet, vai strāvas padeve atbilst ierīces tehnisko datu plāksnītei.
- Pārliedziniet, ka blendera daļa (7) ir stingri nostiprināta ar galveno korpusu ar motora daļu (10).

Transportēšana

- Nepārvietojiet ierīci, kamēr tā darbojas. Atvienojiet ierīci no elektrotīkla, kad pārvietojat to uz citu vietu.

- Turiet ierīces roktura daļu, kad pārvietojat to prom.



Panelis

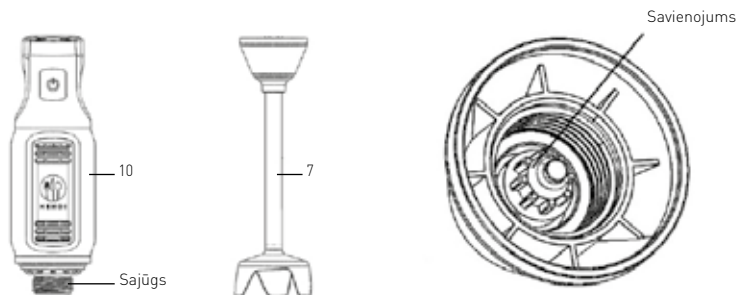
Vienmēr ievērojiet šos drošības ieteikumus!

- Pirms ierīces samontēšanas ar blendera daļu (7) pārliecinieties, ka tā ir atvienota no elektrotīkla.
- Nekādā gadījumā nelieciet rokas pārtikas tvertnē (nav komplektā). Vienmēr izmantojiet koka vai plastmasas lāpstīņas, un tikai tad, kad ierīce nedarbojas.
- Nedarbiniet ierīci, ja tvertnē nav pārtikas produktu vai ja uz tās ir cieti produkti, karsti šķidrumi, bieza mīkla utt., lai novērstu pārkaršanu.
- **BRĪDINĀJUMS!** Atvienojiet ierīci no elektrotīkla tūlīt pēc lietošanas.

Uzkabes montāža/demontāža

Ierīces samontēšana/demontēšana jāveic, kad ierīce ir apstājusies un atvienota no elektrotīkla.

Galvenā ierīce (10) un sajaukšanas daļa (7):



Izjaukšana:

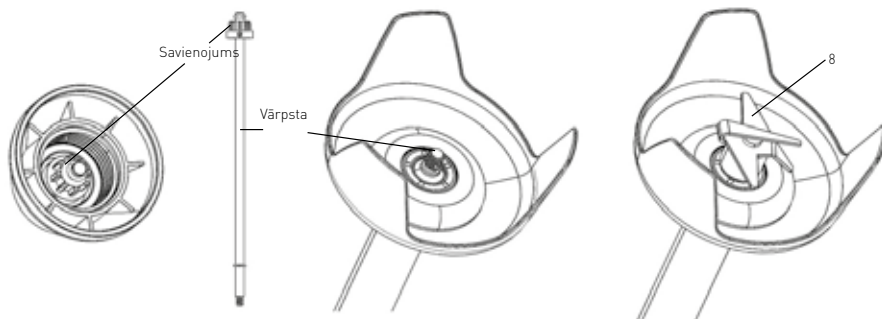
1. Turiet galveno bloku (10) un izskrūvējiet blendera daļu (7) pulksteņa rādītāja virzienā, līdz tas ir pilnībā atvienots.

Montāža:

1. Savietojiet jaukšanas daļas (7) savienojumu ar galvenā bloka (10) sajūgu.
2. Ieskrūvējiet blendera daļā (7) pretēji pulksteņrādītāju kustības virzienam, līdz tā ir pilnībā pievilktā.

Sajaucošā daļa (7) un asmens (8):

UZMANĪBU! Izjaukšana, lūdzu, lietojiet aizsargcimdus (nav iekļauti komplektācijā).



Izjaukšana:

1. Turiet blendera daļas savienojumu (7) un skrūvējiet asmeni (8) pretēji pulksteņrādītāju kustības virzienam, līdz tas ir pilnībā atvienots.
2. Turiet blendera daļu (7) un izvelciet vārpstu.

Montāža:

1. Ievietojiet vārpstu jaukšanas detaļā (7), līdz tā ir pilnībā ievietota.
2. Pieturiet jaukšanas daļas (7) savienojumu un ieskrūvējiet lāpstīņu pulksteņa rādītāja virzienā, līdz tā ir pilnībā pievilktā.



Piemērots:	<ul style="list-style-type: none"> • Sulu un švīkas sajaukšana • Mīkstu sastāvdaļu (piem., pankūku vai majonēzes) sajaukšana. • Dārzeņu samaisīšana zupā (piem., burkāni utt.)
Sagatavošana:	<ul style="list-style-type: none"> • Nomizojiet vai rīvējiet ēdienu un sagrieziet tos mazos gabaliņos. • Ievietojiet ēdienu piemērotā tvertnē ar ietilpību 1 līdz 4 litri.
Maksimālais nepārtrauktas darbības laiks	3 minūtes, lai novērstu motora pārkaršanu. Pēc atdzišanas atkal darbiniet ierīci.

- Kad ierīce ir pievienota kontaktspraudnim, LCD displejā (4) būs redzams "3".
- Nolaidiet blendēšanas daļu (7) pārtikas traukā (nav komplektā). Pirms ierīces ieslēgšanas pilnībā iegremdējiet asmeni (8) sastāvdaļās. **UZMANĪBU:** Jūs nedrīkstat iegremdēt sajaukšanas daļu (7) virs atzīmes **Max.** (Maksimālais).
- Galvenajam blokam (10) ir jābūt stingri ar vienu roku un jaukšanas tvertnei — ar otru roku.
- Turiet nospiešu ieslēgšanas/izslēgšanas taustiņu (1), pēc tam ierīce nepārtraukti sāk blendēt.
- Lai vienmērīgi blendētu produktu sastāvdaļas, izmantojiet saudzīgu kustību virzienā uz augšu un uz leju.
- Lai izvairītos no pārtikas izšķakstīšanās, neizceļiet ierīci no sastāvdaļām darbības laikā.
- Izvēlieties naža ātrumu, darbības laikā nospiežot + (2) vai - (3) pogu (Ātruma diapazons: no 1 līdz 6). Asmens ātrums tiks parādīts LCD displejā (4). **Piezīme:** Nav jānospiež ieslēgšanas/izslēgšanas poga (1), vienlaikus izvēloties naža ātrumu.
- Pēc darbības beigām atlaidiet IESLĒGŠANAS/IZSLĒGŠANAS taustiņu (1), lai izslēgtu ierīci.
- Pagaidiet, līdz asmens (8) pilnībā apstājas. Pēc tam atvienojiet to no elektrotīkla.
- Pagrieziet galveno bloku (10) pulksteņrādītāja virzienā, lai izjauktu blendera daļu (7) tīrīšanai. **Piezīme:**
 1. Lai veiktu ātro regulēšanu, nospiediet un turiet nospiešu + (2) vai - (3) pogu, kas samazina vai palielina ātrumu.
 2. Kad asmens ir pieslēgts, noklusējuma ātrums tiek iestatīts uz "3".

Tīrīšana un apkope

Uzmanību! Pirms tīrīšanas vienmēr atvienojiet ierīci no elektrotīkla un ļaujiet tai pilnīgi atdzist, izjaucot un izjaucot blendera daļu (7).

Tīrīšana

- Notīriet visus šķēršļus naža tuvumā.
- Novietojiet blendera strēli un zvanveida cauruli piemērotā traukā ar tīru ūdeni un uz dažām sekundēm ieslēdziet. Nekad neiegremdējiet vārpstu virs atzīmes Max. (Maksimālais).
- Nekādā gadījumā neiegremdējiet motora bloku vai rokturi ūdenī; notīriet ar mitru drānu vai sūkli.

BRĪDINĀJUMS: Pēc tīrīšanas vienmēr rūpīgi nosusiniet asmeņus, lai novērstu rūsas plankumu veidošanos.

Ieteicamā tīrīšanas procedūra:

Daļa	Kā tīrīt	Biezums
Galvenā iekārta ar motoru (10)	<ul style="list-style-type: none"> • Negremdējiet šo daļu ūdenī vai citos šķidrumos. • Izmantojot mitru drānu ar mazgāšanas līdzekli un ūdeni, rūpīgi noskalojiet, dezinficējiet un nosusiniet. 	Tīriet pēc katras lietošanas reizes
Sajaucošā daļa (7)	<ul style="list-style-type: none"> • Notīriet to ar siltu ūdeni un maigu mazgāšanas līdzekli. Neiegremdējiet noņemamo blendēšanas daļu (7) virs atzīmes Max. (Maks.). • Pirms atkārtotas lietošanas nosusiniet visas daļas. 	
Asmens (8)	<ul style="list-style-type: none"> • Brīdinājums! Pastāv savainošanās risks! Tīrot asmeņus, esiet ļoti piesardzīgs. • Notīriet to ar siltu ūdeni un maigu mazgāšanas līdzekli. • Pēc tīrīšanas rūpīgi nosusiniet. 	



Uzglabāšana

- Pirms uzglabāšanas vienmēr pārliedziniet, ka ierīce jau ir atvienota no elektrotīkla un pilnībā atdzisusi.
- Glabājiet ierīci vēsā, tīrā un sausā vietā un glabājiet to bērniem nepieejamā vietā.

Traucējummeklēšana

Ja ierīce nedarbojas pareizi, lūdzu, skatiet risinājumu tabulā tālāk. Ja problēmu joprojām neizdodas atrisināt, sazinieties ar pakalpojuma sniedzēju.

Problēmas	Iespējamie cēloņi	Iespējamais risinājums
Ierīce neieslēdzas	Strāvas spraudnis nav pareizi pievienots piemērotam barošanas avotam.	Pārbaudiet, vai kontaktspraudnis ir pareizi pievienots piemērotai kontaktligzdai.
	Ieslēgšanas/izslēgšanas poga (1) nav nospiesta.	Piespiediet un turiet nospiestu ieslēgšanas/izslēgšanas taustiņu (1), lai ieslēgtu ierīci.
Apstrādes laikā rodas neparasti trokšņi	Sajaukšanas daļa (7) nav pareizi pievienota.	Vēlreiz izjauciet un samontējiet blendera daļu (7).
Ierīce nedarbojas	Iekšējās pārkaršanas ierīces aktivizējas.	Pirms darba atsākšanas ļaujiet ierīcei atdzist.
Ierīce ir pārkaršusi	Darbība pie pārslodzes	Atlaidiet ieslēgšanas/izslēgšanas pogu un atvienojiet ierīci no strāvas, pagaidiet 10 minūtes, līdz motors atdziest.


LV

Tehniskā specifikācija

Vienības nr.: 222157

Darbības spriegums un frekvence: 230V~ / 50Hz

Nominālā ieejas jauda: 250W

Aizsardzības klase: II klase 

Ūdensnecaurlaidības klase: IP23

Izmēri: aptuveni 71 x 71 x (A) 444 mm

Neto svars: apm. 1,6 kg

Rotācijas ātrums (apgr./min): apm. 6 600 līdz 13 500

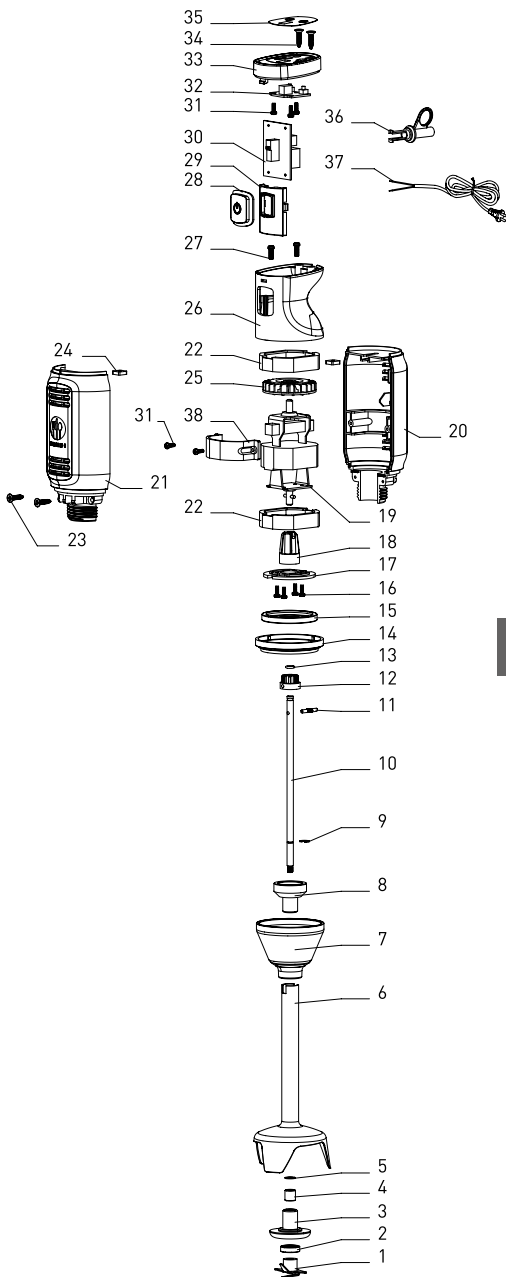
Trokšņa līmenis: < 85dB(A)

Piezīme: Tehniskās specifikācijas var tikt mainītas bez iepriekšēja brīdinājuma.

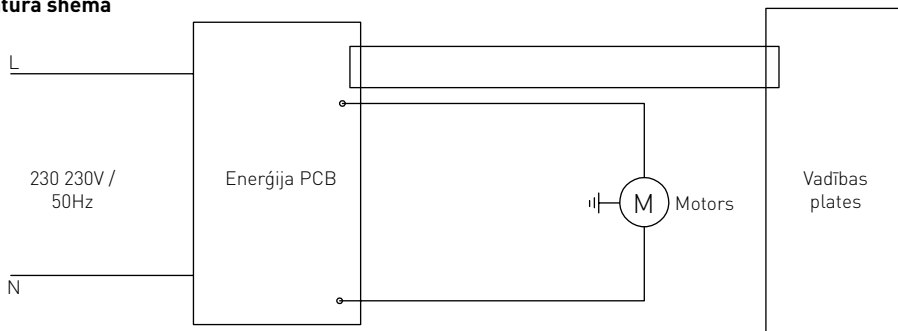


222157 daļu saraksts

Daļas Nr.	Daļas nosaukums	Daudzums
1	Titāna asmens komplekts	1
2	Asmens vārpstas blīvgredzens	1
3	Fiksācijas ieliktnis	1
4	Gultņi	1
5	Tērauda gredzens	1
6	Vārpsta	1
7	Vārpstas galva	1
8	Montāžas vārpstas vāks	1
9	E formas gredzens	1
10	Asmens vārpsta	1
11	Asmens vārpstas tapa	1
12	Caurplūdes vārpsta	1
13	Pretvibrācijas blīvējuma gredzens	1
14	Pārklāts gredzens	1
15	Pretvibrācijas gredzens motoram	1
16	Skrūve motoram	4
17	Motora stiprinājuma plāksne	1
18	Ievades uzmava	1
19	Motors	1
20	Labais skapis	1
21	Kreisais korpuss	1
22	Motora uzsūkšanas pārsegs	2
23	Motora montāžas skrūve	2
24	Uzgrieznis labajā un kreisajā pusē	2
25	Motora ventilators	1
26	Augšējais skapis	1
27	Visu korpusu montāžas skrūve	2
28	Gumija ieslēgšanas/izslēgšanas taustiņā	1
29	Pogas fiksējošais rāmis	1
30	Strāvas panelis	1
31	Montāžas skrūve	5
32	Vadības panelis	1
33	Augšējais vāks	1
34	Augšējā skapja montāžas skrūve	2
35	Vadības uzlīme	1
36	Celmu atvieglošana	1
37	Strāvas vads ar kontaktdakšu	1
38	Motora fiksējošais rāmis	1



Kontūra shēma



Garantija

Jebkurus defektus, kas ietekmē ierīces funkcionalitāti un kas kļūst redzami viena gada laikā pēc iegādes, novērsīs ar bezmaksas remontu vai nomaiņu, ja ierīce ir izmantota un uzturēta saskaņā ar instrukcijām un nav ļaunprātīgi izmantota vai nekādā veidā izmantota ļaunprātīgi. Jūsu likumā noteiktās tiesības netiek ietekmētas. Ja ierīce ir

pieprasīta saskaņā ar garantiju, norādiet, kur un kad tā tika iegādāta, un iekļaujiet pirkuma apliecinājumu (piem., kvīti).

Saskaņā ar mūsu nepārtrauktas produktu izstrādes politiku mēs paturam tiesības bez iepriekšēja brīdinājuma mainīt produkta, iepakojuma un dokumentācijas specifikācijas.

Izmešana un vide

Izslēdzot iekārtu, produktu nedrīkst apglabāt kopā ar citiem sadzīves atkritumiem. Tā vietā jūsu pienākums ir atbrīvoties no atkritumiem, nododot to izraudzītajai savākšanas vietai. Šā noteikuma neievērošanu var sodīt saskaņā ar piemērojamiem noteikumiem par atkritumu apglabāšanu. Jūsu atkritumu aprīkojuma atsevišķa savākšana un pārstrāde apglabāšanas laikā palīdzēs saglabāt dabas

resursus un nodrošināt to pārstrādi tādā veidā, kas aizsargā cilvēku veselību un vidi.

Lai iegūtu plašāku informāciju par to, kur jūs varat atnest atkritumus pārstrādei, lūdzu, sazinieties ar vietējo atkritumu savākšanas uzņēmumu. Ražotāji un importētāji neuzņemas atbildību par pārstrādi, apstrādi un ekoloģisko iznīcināšanu ne tieši, ne ar publiskas sistēmas starpniecību.

Gerbiamas klientas,

Dėkojame, kad įsigijote šį "Hendi" prietaisą. Atidžiai perskaitykite šį vadovą, atkreipdami ypatingą dėmesį į toliau išdėstytas saugos taisykles, prieš pirmą kartą įrengdami ir naudodami šį prietaisą.

Saugos taisyklės

- Šis prietaisas yra skirtas naudoti komerciniais tikslais.
- Prietaisą naudokite tik pagal paskirtį, pagal kurią jis buvo suprojektuotas, kaip aprašyta šiame vadove.
- Gamintojas neatsako už žalą, padarytą dėl netinkamo veikimo ir netinkamo naudojimo.
- Prietaisą ir elektros kištuką laikykite atokiau nuo vandens ir kitų skysčių. Jei prietaisas patenka į vandenį, nedelsdami išimkite maitinimo kištuką iš lizdo. Nenaudokite prietaiso tol, kol jo nepatikrins sertifikuotas technikas. Nesilaikant šių nurodymų sukels gyvybei pavojingą riziką.
- Niekada nebandykite atidaryti prietaiso korpuso patys.
- Nejunkite objektų į prietaiso korpusą.
- Nelieskite kištuko šlapiomis ar drėgnomis rankomis.
- ⚡ **ELEKTROS SMŪGIO PAVOJUS!** Nebandykite patys taisyti prietaiso, remontą turi atlikti tik kvalifikuotas personalas.
- **Niekada nenaudokite pažeisto prietaiso!** Kai jis sugadintas, atjunkite prietaisą nuo lizdo ir kreipkitės į mažmenininką.
- **ĮSPĖJIMAS!** Negalima panardinti prietaiso elektrinių dalių vandenyje ar kituose skysčiuose.
- Niekada nelaikykite prietaiso po tekančiu vandeniu.
- Reguliariai tikrinkite maitinimo kištuką ir laidą dėl bet kokios žalos. Jei jis sugadintas, jį turi pakeisti paslaugų agentas arba panašiai kvalifikuotas asmuo, kad būtų išvengta pavojaus ar sužalojimo.
- Įsitinkinkite, kad laidas nesiliečia su aštriais ar karštais daiktai ir laikykite jį atokiau nuo atviros ugnies. Niekada traukite maitinimo laidą atjunkite jį nuo lizdo, visada traukite kištuką vietoj.
- Įsitinkinkite, kad laidas ir (arba) prailginimo laidas nekelia pavojaus kelionei.
- Niekada nepalikite prietaiso be priežiūros naudojimo metu.
- **ĮSPĖJIMAS!** Tol, kol kištukas yra lizdo prietaisas yra prijungtas prie maitinimo šaltinio.
- Išjunkite prietaisą prieš atjungdami jį iš lizdo.
- Prijunkite maitinimo kištuką prie lengvai prieinamo elektros lizdo, kad avarijos atveju prietaisą būtų galima nedelsiant atjungti.
- Niekada nešiokite prietaisą laidu.
- Nenaudokite jokių papildomų prietaisų, kurie nėra tiekiami kartu su prietaisu.
- Prijunkite prietaisą tik prie elektros lizdo, kurio įtampa ir dažnis yra nurodytas prietaiso etiketėje.
- Niekada nenaudokite priedų, išskyrus tuos, kuriuos rekomenduoja gamintojas. To nepadarius, vartotojas gali kelti pavojų saugai ir gali sugadinti prietaisą. Naudokite tik originalias dalis ir priedus.

LT



- Šio prietaiso neturėtų naudoti asmenys, turintys mažesnes fizines, jutimo ar protines galimybes, arba asmenys, neturintys patirties ir žinių.
- Šis prietaisas jokiais aplinkybėmis neturėtų būti naudojamas vaikams.
- Laikykite prietaisą ir jo maitinimo laidą vaikams nepasiekiamoje vietoje.
- **ĮSPĖJIMAS:** VISADA išjunkite prietaisą ir atjunkite nuo maitinimo lizdo prieš valydami, prižiūrėdami ar laikydami.

Specialios saugos taisyklės


- Prietaisą naudokite tik taip, kaip aprašyta šiame vadove. Naudoti tik patalpose.
- Šį prietaisą turi naudoti ir įrengti specializuoti apmokyti maisto pramonės darbuotojai, pvz., maitinimo įstaigos, restorano, baro ir kt.
- Visus techninės priežiūros, montavimo ir remonto darbus turi atlikti specializuoti kvalifikuoti ir įgalioti technikai.
- Saugokite prietaisą nuo karštų paviršių ir atviros liepsnos. Prietaisą visada naudokite ant lygaus, stabilaus, švaraus, karščiui atsparaus ir sauso paviršiaus.
- Jei reikia, darbo metu dėvėkite apsauginius drabužius, kaukę arba apsauginius akinius.
- Šis prietaisas nėra skirtas eksploatuoti naudojant išorinį laikmatį arba atskirą nuotolinio valdymo sistemą.
- **ĮSPĖJIMAS:** Pasirūpinkite, kad jokios ventiliacijos angos prietaise nebūtų užkimštos.
- **ĮSPĖJIMAS:** Naudojimo metu rankas ir virtuvės reikmenis laikykite į konteinerį, kad sumažintumėte sunkaus sužalojimo ir (arba) trintuvo sugadinimo pavojų.
- Aplink prietaisą palikite bent 20 cm atstumą, kad išvengtumėte pavojaus.
- **Atsargiai!** Jei reikia, saugiai nutieskite maitinimo laidą, kad jis atsitiktinai nepasitrauktų, arba kad jis nesiliestų prie judančio peilio.
- Nemerkite veleno į vandenį ar skystį, mažesnę nei 5 cm.
- Neekspluatuokite prietaiso nuolat, kad išvengtumėte variklio perkaitimo. Nuolatinio veikimo trukmė neturi viršyti 3 minučių. Prietaisą vėl įjunkite po to, kai jis atvės.
- Nenaudokite mašinos už talpyklos ribų.
- Nelieskite peilio, peilio apsaugos ir judamųjų dalių. Pirštus, plaukus, drabužius ir virtuvės reikmenis laikykite atokiau nuo visų judamųjų dalių.
- Neplaukite prietaiso vandeniu arba vandens srove. Plovimas vandeniu gali sukelti nuotėkį ir padidinti elektros smūgio riziką. Jokių dalių negalima plauti indaplovėje.
- Kad nepažeistumėte laido, nespauskite, nelankstykite ir netrinkite jo aštriais kraštais. Laikykite jį atokiau nuo karštų paviršių ir atviros liepsnos. Saugokite, kad besisukantys peiliai nesiliestų prie maitinimo laido.
- Ištraukite maitinimo laidą taip, kad netyčia nebūtų galima jo traukti ar užkliūti.
- Nevalykite ir nelaikykite mašinos, kol ji nėra visiškai atvėsusi.
- **Pavojus susižeisti!** Valant aštirus pjovimo peilius, juos reikia valyti atsargiai.
- Šis prietaisas priskiriamas II apsaugos klasei.

Numatyta paskirtis

- Šis prietaisas skirtas profesionaliam naudojimui.
- Šis prietaisas yra skirtas tik minkštiems ingredientams susmulkinti, maišyti, sutraiškyti ir terpei taroje ištepti. Kitu būdu prietaisą naudojant galima pažeisti arba susižeisti.

- Prietaiso naudojimas bet kokiais kitais tikslais laikomas netinkamas prietaiso naudojimas. Naudotojas yra atsakingas už netinkamą įrenginio naudojimą.

Pagrindinės prietaiso dalys

1. ĮJUNGIMO / IŠJUNGIMO jungiklis : Paspauskite ir palaikykite, kad veiktų nepertraukiamai; norėdami sustabdyti darbą, atleiskite mygtuką
2. Padidinkite greičio nuostatą + :
Padidinkite greitį nuo 1 iki 6
3. Greičio mažinimo nuostata - :
Greičio mažinimas nuo 1 iki 6
4. LCD ekranas: Greičio nustatymui rodyti
5. Rankena
6. Ventilacijos angos
7. Nuimama maišymo dalis
8. Peilis
9. Peilio apsauga
10. Pagrindinis blokas su varikliu



Paruošimas prieš naudojimą

- Nuimkite visą apsauginę pakuotę ir įvyniojimą.
- Patikrinkite, ar prietaisas vientisas ir nepažeistas transportuojant. Jei pristatyta ne visa siunta arba ji pažeista, nedelsdami kreipkitės į tiekėją. NENAUDOKITE prietaiso. (Žr. ==> Garantija).

- Prieš naudodami prietaisą, nuvalykite jį (žr. ==> Valymas ir priežiūra).
- Patikrinkite, ar prietaisas visiškai sausas.
- Maisto produktų paruošimas apdorojimui.

Prieš naudojimą

- Prieš naudodami atidžiai perskaitykite šį vadovą.
- Užtikrinkite, kad prietaisas būtų pastatytas sausoje vietoje ir netrukdytų jums veikti.
- Patikrinkite, ar elektros maitinimas atitinka ant

- prietaiso esančią duomenų lentelę.
- Įsitinkite, kad trintuvės dalis [7] yra tvirtai sumontuota pagrindiniame korpuse su variklio dalimi [10].

Transportavimas

- Nejudinkite veikiančio prietaiso. Pereidami į kitą vietą, atjunkite prietaisą nuo elektros tinklo.

- Atitraukdami prietaisą laikykite už rankenos dalies.

Valdymo

Visada laikykitės toliau pateiktų saugos patarimų!

- Prieš surinkdami prietaisą su trintuvo dalimi [7], visada įsitinkite, kad prietaisas atjungtas nuo maitinimo tinklo.
- Niekada nekiškite rankų į maisto indą (netiekiamas). Visada naudokite medines arba plastines menteles, tik kai prietaisas neveikia.

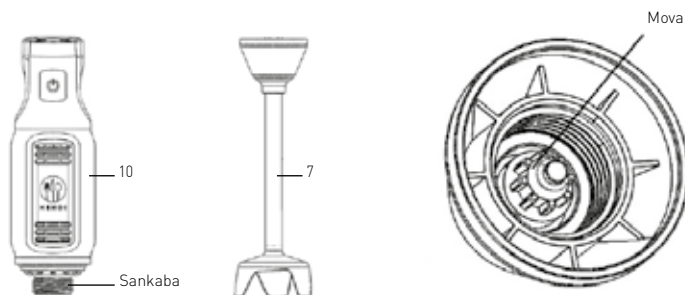
- Nenaudokite prietaiso, jei talpykloje nėra maisto produktų arba jei jame yra kietų maisto produktų, karštų skysčių, tirštos tešlos ir pan., kad išvengtumėte perkaitinimo.
- **ĮSPĖJIMAS!** Po naudojimo iškart atjunkite prietaisą nuo elektros tinklo.



Priedų surinkimas / išardymas

Prietaiso surinkimo / išardymo darbai atliekami prietaisui esant išjungtam ir atjungtam nuo elektros tinklo.

Pagrindinis blokas (10) ir maišymo dalis (7):



Išardymas:

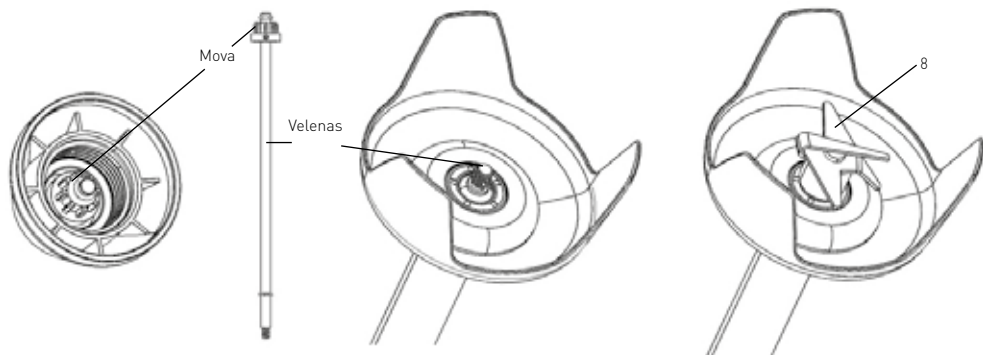
1. Laikykite pagrindinį bloką (10) ir išsukite trintuvo dalį (7) pagal laikrodžio rodyklę, kol ji visiškai atsijungs.

Montavimas:

1. Sutapatinkite trintuvo dalies (7) movą su pagrindinio bloko (10) sankaba.
2. Įsukite trintuvo dalį (7) prieš laikrodžio rodyklę, kol ji bus iki galo priveržta.

Trintuvo dalis (7) ir peilis (8):

ATSARGUMO! Išardydami mūvėkite apsaugines pirštines (nepriedamos).



Išardymas:

1. Laikykite trintuvo dalies (7) movą ir prieš laikrodžio rodyklę išsukite peilį (8), kol jis visiškai atsikabins.
2. Laikydami trintuvo dalį (7) ištraukite veleną.

Montavimas:

1. Įstatykite kotą į maišymo dalį (7), kol jis bus iki galo įstatytas.
2. Laikykite trintuvo dalies (7) movą ir prisukite peilį pagal laikrodžio rodyklę, kol jis bus visiškai priveržtas.

Tinka:	<ul style="list-style-type: none"> • Maišomos sultys ir virpėjimai • Minkštų sudedamųjų dalių maišymas (pvz., blynelių tešla arba majonezas). • Daržovių maišymas į sriubą (pvz., morkų ir kt.)
Paruošimas:	<ul style="list-style-type: none"> • Nulupkite arba pagardinkite maistą ir supjaustykite jį mažais gabaliukais. • Sudėkite maistą į tinkamą, 1–4 litro talpos indą.
Ilgiausia nepertraukiamo veikimo trukmė	3 minutes, kad variklis neperkaistų. Prietaisą vėl įjunkite po to, kai jis atvės.

- Prijungus prie maitinimo kištuko skystųjų kristalų ekranelyje (4) bus rodoma „3“.
- Nuleiskite maišymo dalį (7) į maisto indą (netiekiamą). Prieš paleisdami prietaisą, visiškai pavarndinkite peilį (8) į ingredientus. **DĖMESYS:** Turėtumėte nenardinti trintuvo dalies (7) virš **maks. žymos**.
- Viena ranka tvirtai laikykite pagrindinį įrenginį (10), o kita – maišymo indą.
- Paspauskite ir laikykite nuspaustą JJUNGIMO / IŠJUNGIMO mygtuką (1), tada prietaisas pradės nuolat trinti.
- Švelniai judinkite maisto produktus.
- Kad maistas neišsitaškytų, naudojimo metu neiškelkite prietaiso iš maisto produkto.

- Paspausdami mygtuką + (2) arba - (3), pasirinkite peilio greitį (greitis: nuo 1 iki 6). Ašmenų greitis bus rodomas LCD ekrane (4).
Pastaba. Nereikia spausti JJUNGIMO/IŠJUNGIMO mygtuko (1) vienu metu pasirenkant peilio greitį.
- Baigę darbą, atleiskite JJUNGIMO / IŠJUNGIMO mygtuką (1), kad išjungtumėte prietaisą.
- Palaukite, kol peilis (8) sustos. Tada atjunkite jį nuo elektros tinklo.
- Pasukite pagrindinį bloką (10) pagal laikrodžio rodyklę, kad išardytumėte trintuvo dalį (7) valymui.
Pastaba.
 1. Norėdami greitai sureguliuoti, paspauskite ir laikykite nuspaudę mygtuką + (2) arba - (3).
 2. Įjungus kištuką, numatytasis peilio greitis bus nustatytas į padėtį „3“.

LT

Valymas ir priežiūra

Dėmesio: Prieš valydami ir ardydami maišymo dalį (7), visada išjunkite prietaisą iš elektros lizdo ir palaukite, kol jis visiškai atvės.

Valymas

- Pašalinkite visas kliūtis šalia peilio.
 - Padėkite trintuvą ir varpą į tinkamą indą su švariu vandeniu ir kelioms sekundėms įjunkite. Niekada nenardinkite veleno virš maksimalios žymos.
 - Niekada nemerkitė variklio bloko ar rankenos į vandenį; valykite drėgna šluoste ar kempine.
- ISPĖJIMAS:** Po valymo visada kruopščiai išdžiovinkite prietaisą, kad išvengtumėte rūdžių dėmių.

Rekomenduojama valymo procedūra:

Dalys	Kaip valyti	Dažnis
Pagrindinis blokas su varikliu (10)	<ul style="list-style-type: none"> • Niekada nemerkitė šios dalies į vandenį ar kitus skysčius. • Naudodami drėgną šluostę su šiek tiek ploviklio ir vandens, nuplaukite, dezinfekuokite ir gerai nusausinkite. 	Valykite po kiekvieno naudojimo
Maišymo dalis (7)	<ul style="list-style-type: none"> • Valykite šiltu vandeniu ir nedideliu kiekiu švelnaus ploviklio. Nenardinkite atskiriamosios trintuvo dalies (7) virš maksimalios žymos. • Prieš vėl naudodami nusausinkite visas dalis. 	
Peilis (8)	<ul style="list-style-type: none"> • Įspėjimas! Pavojus susižeisti! Būkite labai atsargūs, kai valote peilius. • Valykite šiltu vandeniu ir nedideliu kiekiu švelnaus ploviklio. • Išvalę kruopščiai nusausinkite. 	



Laikymas

- Prieš sandėliuodami prietaisą visada įsitikinkite, kad jis jau buvo atjungtas nuo elektros lizdo ir visiškai atvėšęs.
- Laikykite prietaisą vėsioje, švarioje ir sausoje vietoje, vaikams nepasiekiamoje vietoje.

Trikčių šalinimas

Jeigu prietaisas veikia netinkamai, patikrinkite, ar yra tirpalas, kaip nurodyta toliau pateiktoje lentelėje.

Jeigu vis tiek negalite išspręsti problemos, kreipkitės į tiekėją / paslaugų teikėją.

Problemos	Galimos priežastys	Galimas sprendimas
Prietaisas neįsijungia	Maitinimo kištukas netinkamai prijungtas prie tinkamo maitinimo šaltinio.	Patikrinkite, ar maitinimo kištukas tinkamai prijungtas prie tinkamo elektros lizdo.
	Nepaspaustas ĮJUNGIMO / IŠJUNGIMO mygtukas (1).	Norėdami įjungti prietaisą, paspauskite ir palaikykite ĮJUNGIMO / IŠJUNGIMO mygtuką (1).
Nenormalūs garsai apdorojant	Maišymo dalis (7) netinkamai prijungta.	Maišymo dalį (7) vėl išardykite ir surinkite.
Prietaisas neveikia	Įsijungia viduje esantys perkaitimo prietaisai.	Prieš vėl pradėdami naudoti prietaisą, palaukite, kol jis atvės.
Prietaisas perkaito	Eksplotavimo viršvalandžius	Atleiskite ĮJUNGIMO / IŠJUNGIMO mygtuką ir atjunkite įrenginį nuo maitinimo tinklo, palaukite 10 minučių, kol variklis atvės.

Techninė specifikacija

Prekės Nr.: 222157

Darbinė įtampa ir dažnis: 230V~ / 50Hz

Vardinė jėgimo galia: 250W

Apsaugos klasė: II klasė 

Atsparumo drėgmei klasė: IP23

Matmenys: maždaug 71 x 71 x (A) 444 mm

Grynasis svoris: maždaug 1,6 kg

Sukimosi greitis (aps./min.): maždaug 6 600–13 500

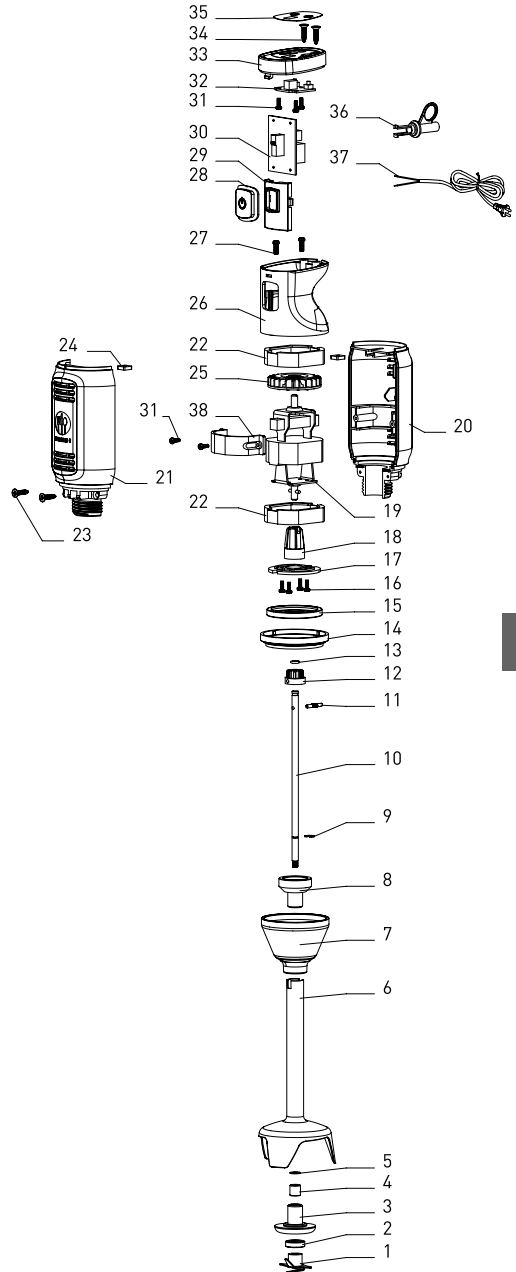
Triukšmo lygis: < 85dB(A)

Pastaba: Techninė specifikacija gali būti keičiama be išankstinio įspėjimo.

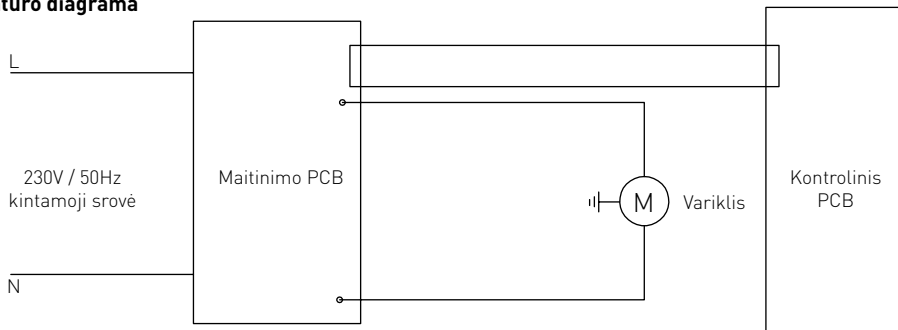


Dalių sąrašas, skirtas 222157

Dalies Nr.	Dalies pavadinimas	Kiekis
1	Titaninių ašmenų rinkinys	1
2	Ašmenų veleno sandariklio žiedas	1
3	Fiksuojamoji įvorė	1
4	Guoliai	1
5	Plieninis žiedas	1
6	Velenas	1
7	Veleno galvutė	1
8	Montavimo veleno dangtis	1
9	E formos žiedas	1
10	Ašmenų velenas	1
11	Peilio ašies kaištis	1
12	Lankstomoji ašis	1
13	Antivibracinis sandarinimo žiedas	1
14	Dengtas žiedas	1
15	Variklio antivibracinis žiedas	1
16	Variklio varžtas	4
17	Variklio tvirtinimo plokštė	1
18	Lankstomoji įvorė	1
19	Variklis	1
20	Dešinysis gaubtas	1
21	Kairysis gaubtas	1
22	Variklio sugeriamasis dangtelis	2
23	Variklio tvirtinimo varžtas	2
24	Dešinioji ir kairioji tvirtinamoji veržlė padidins slėgį	2
25	Variklio ventiliatorius	1
26	Viršutinis gaubtas	1
27	Visų korpusų montavimo varžtas	2
28	Guminis įjungimo / išjungimo mygtukas	1
29	Mygtukų tvirtinimo rėmelis	1
30	Maitinimo blokas	1
31	Tvirtinimo varžtas	5
32	Valdymo blokas	1
33	Viršutinis dangtis	1
34	Viršutinio gaubto tvirtinimo varžtas	2
35	Valdymo lipdukas	1
36	Įtempimo sumažinimas	1
37	Maitinimo laidas su kištuku	1
38	Variklio tvirtinimo rėmas	1



Kontūro diagrama



Garantija

Bet koks defektas, turintis įtakos prietaiso funkcionalumui, kuris paaiškėja per vienerius metus nuo pirkimo, kuris suremontuotas nemokamai arba pakeičiamas, jei prietaisas buvo naudojamas ir prižiūrimas pagal instrukcijas ir jokių būdu nebuvo piktnaudžiaujama ar piktnaudžiaujama. Jūsų įstatyminės teisės neturi įtakos. Jei reikalaujama,

kad prietaisas būtų suteiktas pagal garantiją, nurodykite, kur ir kada jis buvo įsigytas, ir nurodykite pirkimo įrodymą (pvz., kvitą).

Laikydami savo nuolatinio produkto kūrimo politikos, pasiliekaime teisę be išankstinio įspėjimo keisti produkto, pakuotės ir dokumentacijos specifikacijas.

Išmetimas ir aplinka

Nutraukus prietaiso eksploatavimą, gaminyje neturi būti šalinamas su kitomis buitinėmis atliekomis. Vietoj to, jūs esate atsakingi už atliekų šalinimo įrangą, perduodant ją nurodytam surinkimo punktui. Šios taisyklės nesilaikymas gali būti baudžiamas pagal taikomus atliekų šalinimo reglamentus. Atskiras jūsų įrangos atliekų surinkimas ir perdirbimas šalinimo metu padės išsaugoti gamtos ište-

klus ir užtikrinti, kad jie būtų perdirbami taip, kad būtų apsaugota žmonių sveikata ir aplinka.

Norėdami gauti daugiau informacijos apie tai, kur galite išmesti atliekas perdirbimui, kreipkitės į vietinę atliekų surinkimo įmonę. Gamintojai ir importuotojai neprisiima atsakomybės už perdirbimą, apdorojimą ir ekologinį šalinimą tiesiogiai arba per viešąją sistemą.

Prezado cliente,

Obrigado por comprar este aparelho HENDI. Leia atentamente este manual, prestando especial atenção aos regulamentos de segurança descritos abaixo, antes de instalar e usar este aparelho pela primeira vez.

Regulamentos de segurança

- Este aparelho destina-se a utilização comercial.
- Use apenas o aparelho para o propósito pretendido para o qual foi projetado conforme descrito neste manual.
- O fabricante não é responsável por qualquer dano causado por operação incorreta e uso indevido.
- Mantenha o aparelho e o plugue elétrico longe da água e de outros líquidos. Caso o aparelho caia na água, remova imediatamente a ficha de alimentação da tomada. Não use o aparelho até que ele tenha sido verificado por um técnico certificado. O não cumprimento destas instruções causará riscos de vida.
- Nunca tente abrir o invólucro do aparelho sozinho.
- Não insira objetos no invólucro do aparelho.
- Não toque no plugue com as mãos molhadas ou úmidas.
- ⚠ **PERIGO DE CHOQUE ELÉTRICO!** Não tente reparar o aparelho sozinho, os reparos devem ser realizados apenas por pessoal qualificado.
- **Nunca use um aparelho danificado!** Quando estiver danificado, desconecte o aparelho do soquete e entre em contato com o varejista.
- **AVISO!** Não mergulhe as partes elétricas do aparelho em água ou outros líquidos.
- Nunca segure o aparelho sob água corrente.
- Verifique regularmente a ficha de alimentação e o cabo em busca de danos. Quando danificada, deve ser substituída por um agente de serviço ou por uma pessoa qualificada da mesma forma, a fim de evitar perigos ou ferimentos.
- Certifique-se de que o cabo não entre em contato com objetos afiados ou quentes e mantenha-o longe de fogo aberto. Nunca puxe o cabo de alimentação para desconectá-lo do soquete, sempre puxe o plugue.
- Certifique-se de que o cabo de alimentação e/ou o cabo de extensão não causam risco de disparo.
- Nunca deixe o aparelho sem vigilância durante a utilização.
- **AVISO!** Enquanto o plugue estiver no soquete, o aparelho está conectado à fonte de alimentação.
- Desligue o aparelho antes de desconectá-lo do soquete.
- Ligue a ficha de alimentação a uma tomada elétrica de fácil acesso para que, em caso de emergência, o aparelho possa ser desligado imediatamente.
- Nunca carregue o aparelho pelo cabo.
- Não utilize quaisquer dispositivos adicionais que não sejam fornecidos juntamente com o aparelho.
- Conecte o aparelho apenas a uma tomada elétrica com a tensão e a frequência mencionadas no rótulo do aparelho.


PT



- Nunca use outros acessórios que não os recomendados pelo fabricante. Não fazê-lo pode representar um risco de segurança para o usuário e danificar o aparelho. Use apenas peças e acessórios originais.
- Este aparelho não deve ser operado por pessoas com capacidades físicas, sensoriais ou mentais reduzidas, nem por pessoas com falta de experiência e conhecimentos.
- Este aparelho não deve, em qualquer circunstância, ser utilizado por crianças.
- Mantenha o aparelho e seu cabo de alimentação fora do alcance das crianças.
- **AVISO:** SEMPRE desligue o aparelho e desligue da tomada antes da limpeza, manutenção ou armazenamento.

Regulamentos especiais de segurança

- Utilize o aparelho apenas conforme descrito neste manual. Apenas para utilização em interiores.
- Este aparelho deve ser operado e instalado por pessoal especializado e com formação na cozinha da indústria alimentar, como catering, restaurante, bar, etc.
- Todos os trabalhos de manutenção, instalação e reparação devem ser realizados por técnicos especializados e autorizados.
- Mantenha o aparelho afastado de superfícies quentes e chamas abertas. Utilize sempre o aparelho numa superfície nivelada, estável, limpa, resistente ao calor e seca.
- Use vestuário de proteção, máscara ou óculos de proteção, se necessário, durante o funcionamento.
- Este aparelho não se destina a ser operado através de um temporizador externo ou de um sistema de controlo remoto separado.
- **AVISO:** Mantenha todas as aberturas de ventilação no aparelho desobstruídas.
- **AVISO:** Durante o funcionamento, mantenha as mãos e os utensílios fora do recipiente para reduzir o risco de ferimentos graves e/ou danos na liquidificadora.
- Deixe pelo menos 20 cm de espaço à volta do aparelho para evitar perigo.
- **Atenção!** Encaminhe com segurança o cabo de alimentação, se necessário, para evitar o puxar acidental ou o contacto com a lâmina móvel.
- Não mergulhe a haste na água ou em líquidos com menos de 5 cm.
- Não utilize o aparelho continuamente para evitar o sobreaquecimento do motor. O tempo de funcionamento contínuo não deve exceder 3 minutos. Volte a utilizar o aparelho depois de arrefecer.
- Não utilize a máquina fora do recipiente.
- Não toque na lâmina, no protetor da lâmina nem nas peças móveis. Mantenha os dedos, o cabelo, a roupa e os utensílios afastados de todas as peças móveis.
- Não lave o aparelho com água ou jato de água. Lavar com água pode causar fugas e aumentar o risco de choque elétrico. Nenhuma peça pode ser lavada na máquina de lavar loiça.
- Para evitar danificar o cabo, não o aperte, dobre ou fricção em arestas afiadas. Mantenha-o afastado de superfícies quentes e chamas abertas. Não deixe que as lâminas rotativas toquem no cabo de alimentação.

- Coloque o cabo de alimentação de forma a que não seja possível puxar ou tropeçar inadvertidamente.
- Não limpe ou armazene a máquina a menos que esteja completamente arrefecida.
- **Perigo de lesão!** Deve ter-se cuidado ao manusear as lâminas de corte afiadas durante a limpeza.
-  Este aparelho está classificado como classe de proteção II.


Utilização prevista

- Este aparelho destina-se a utilização profissional.
- Este aparelho destina-se exclusivamente a esmagar, misturar, esmagar e esmagar ingredientes macios adequados num recipiente. Qualquer outra utilização pode provocar danos no aparelho

ou lesões pessoais.

- A utilização do aparelho para qualquer outro fim deve ser considerada uma utilização indevida do dispositivo. O utilizador será o único responsável pela utilização indevida do dispositivo.

Peças principais do aparelho

1. Interruptor ON/OFF  : Prima e mantenha premido para um funcionamento contínuo; solte o botão para parar o funcionamento
2. Aumentar a definição de velocidade + :
Aumentar a velocidade entre 1 e 6
3. Diminuir a definição de velocidade - :
Diminua a velocidade entre 1 e 6
4. Ecrã LCD: Para mostrar a definição de velocidade
5. Manípulo
6. Orifícios de ventilação
7. Peça de mistura amovível
8. Lâmina
9. Proteção da lâmina
10. Unidade principal com motor



PT

Preparativos antes da operação

- Remova todas as embalagens e embalagens de protecção.
- Verifique se o aparelho está completo e se apresenta danos causados pelo transporte. Em caso de entrega incompleta ou danos, contacte imediatamente o fornecedor. NÃO utilize o aparelho. (Ver ==> Garantia).

- Limpe o aparelho antes da utilização (Consulte ==> Limpeza e manutenção).
- Certifique-se de que o aparelho está completamente seco.
- Preparação dos ingredientes alimentares para processamento.

Antes da operação

- Leia este manual na íntegra e cuidadosamente antes de utilizar.
- Certifique-se de que o aparelho é colocado numa área seca sem obstáculos para bloquear o seu funcionamento.

- Certifique-se de que a fonte de alimentação eléctrica corresponde à etiqueta de características do aparelho.
- Certifique-se de que a peça de mistura (7) está firmemente instalada com o corpo principal com a peça do motor (10).



Transporte

- Não desloque o aparelho enquanto estiver em funcionamento. Desligue o aparelho da tomada quando se deslocar para outro local.
- Segure na parte da pega do aparelho quando se afastar.

Operação

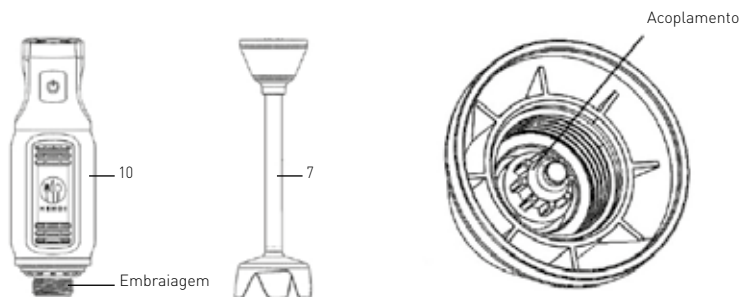
Observe sempre os seguintes conselhos de segurança!

- Certifique-se sempre de que o aparelho está desligado da fonte de alimentação antes de o montar com a peça de mistura (7).
- Nunca coloque as mãos no recipiente para alimentos (não fornecido). Utilize sempre espátulas de madeira ou plástico e apenas quando o aparelho não estiver a funcionar.
- Não utilize o aparelho sem alimentos no interior do recipiente ou com alimentos duros, líquidos quentes, massa pesada, etc. para evitar sobreaquecimento.
- **AVISO!** Desligue o aparelho imediatamente após a utilização.

Montagem/desmontagem dos acessórios

As operações de montagem/desmontagem do aparelho são realizadas com o aparelho parado e desligado da fonte de alimentação.

Unidade principal (10) e peça de mistura (7):



Desmontagem:

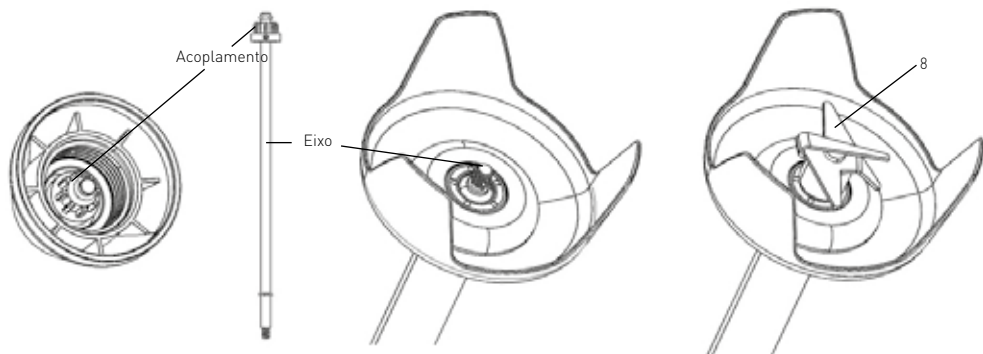
1. Segure na unidade principal (10) e aparafuse a peça de mistura (7) no sentido dos ponteiros do relógio até que esteja totalmente separada.

Montagem:

1. Alinhe o acoplamento da peça de mistura (7) com a embraiagem da unidade principal (10).
2. Aparafuse a peça de mistura (7) no sentido contrário ao dos ponteiros do relógio até estar totalmente apertada.

Peça de mistura (7) e lâmina (8):

CUIDADO! Use luvas de proteção para desmontagem (não incluídas).



Desmontagem:

1. Segure o acoplamento da peça de mistura (7) e aparafuse a lâmina (8) no sentido contrário ao dos ponteiros do relógio até que esteja totalmente separada.
2. Segure na peça de mistura (7) e puxe o eixo para fora.

Montagem:

1. Insira o eixo na peça de mistura (7) até estar totalmente inserido.
2. Segure o acoplamento da peça de mistura (7) e aparafuse a lâmina no sentido dos ponteiros do relógio até estar totalmente apertada.

Adequado para:	<ul style="list-style-type: none">• Misturar sumos e batidos• Misturar ingredientes moles (por exemplo, massa de panqueca ou maionese).• Misturar legumes em sopa (por exemplo, cenouras, etc.)
Preparação:	<ul style="list-style-type: none">• Descasque ou pare alimentos e corte-os em pedaços pequenos.• Coloque os alimentos num recipiente adequado com capacidade de 1 a 4 litros.
Tempo máximo de funcionamento contínuo	3 minutos para evitar o sobreaquecimento do motor. Volte a utilizar o aparelho depois de arrefecer.

PT



- Uma vez ligado à ficha de alimentação, será apresentado "3" no visor LCD (4).
- Baixe a peça de mistura (7) para o recipiente de alimentos (não fornecido). Mergulhe totalmente a lâmina (8) nos ingredientes antes de colocar o aparelho em funcionamento.
ATENÇÃO: Não deve submergir a peça de mistura (7) acima da marca **Máx.**
- Segure a unidade principal (10) firmemente com uma mão e o recipiente de mistura com a outra mão.
- Prima e mantenha premido o botão LIGAR/DESLIGAR (1) e, em seguida, o aparelho começa a misturar continuamente.
- Utilize um movimento suave para cima e para baixo para misturar suavemente os ingredientes dos alimentos.
- Para evitar salpicos de alimentos, não retire o aparelho dos ingredientes durante o funcionamento.
- Selecione a velocidade da lâmina premindo o bo-

tão + (2) ou - (3) (Intervalo de velocidade: 1 a 6) durante o funcionamento. A velocidade da lâmina será apresentada no visor LCD (4).

Nota: Não é necessário premir o botão LIGAR/DESLIGAR (1) ao seleccionar a velocidade da lâmina em simultâneo.

- Após terminar a operação, solte o botão LIGAR/DESLIGAR (1) para desligar o aparelho.
- Aguarde até que a lâmina (8) pare completamente. Em seguida, desligue-o da alimentação elétrica.
- Rode a unidade principal (10) no sentido dos ponteiros do relógio para desmontar a peça de mistura (7) para limpeza.

Nota:

1. Prima e mantenha premido o botão decrescente e crescente + (2) ou o botão - (3) para um ajuste rápido.
2. A velocidade predefinida da lâmina será definida para "3" depois de ligada.

Limpeza e manutenção

Atenção: Desligue sempre o aparelho da tomada eléctrica e deixe-o arrefecer completamente antes de limpar e desmontar a peça de mistura (7).

Limpeza

- Remova todos os obstáculos perto da lâmina.
- Coloque o braço de mistura e a campainha num recipiente adequado com água limpa e ligue durante alguns segundos. Nunca mergulhe a haste acima da marca máx.
- Nunca mergulhe a unidade do motor ou a pega em água; limpe com um pano húmido ou uma esponja.

AVISO: Seque sempre bem as lâminas após a limpeza para evitar manchas de ferrugem.

Procedimento de limpeza recomendado:

Peças	Como limpar	Frequência
Unidade principal com motor (10)	<ul style="list-style-type: none"> • Nunca mergulhe esta peça em água ou outros líquidos. • Utilizando um pano húmido com algum detergente e água, enxágue, higienize e seque bem. 	Limpe após cada utilização
Peça de mistura (7)	<ul style="list-style-type: none"> • Limpe-o com água morna e detergente suave. Não mergulhe a peça de mistura destacável (7) acima da marca máx. • Seque todas as peças antes de utilizar novamente. 	
Lâmina (8)	<ul style="list-style-type: none"> • Aviso! Risco de lesão! Tenha muito cuidado ao limpar as lâminas. • Limpe-o com água morna e detergente suave. • Seque-o cuidadosamente após a limpeza. 	

Armazenamento

- Antes de armazenar, certifique-se sempre de que o aparelho já foi desligado da tomada eléctrica e arrefecido completamente.
- Guarde o aparelho num local fresco, limpo e seco e mantenha-o fora do alcance das crianças.



Resolução de problemas

Se o aparelho não funcionar correctamente, verifique a solução na tabela abaixo. Se continuar a não

conseguir resolver o problema, contacte o fornecedor/prestador de serviços.

Problemas	Causas possíveis	Solução possível
O aparelho não liga	A ficha de alimentação não está corretamente ligada a uma fonte de alimentação adequada.	Certifique-se de que a ficha de alimentação está devidamente ligada a uma tomada elétrica adequada.
	O botão LIGAR/DESLIGAR (1) não é premido.	Prima e mantenha premido o botão ON/OFF (1) para ligar o aparelho.
Ruídos anormais durante o processamento	A peça de mistura (7) não está corretamente ligada.	Desmonte e monte novamente a peça de mistura (7).
O aparelho não pode funcionar	Os dispositivos de sobreaquecimento interior são ativados.	Deixe o aparelho arrefecer completamente antes de iniciar novamente o funcionamento.
O aparelho está sobreaquecido	Operação de horas extras	Liberte o botão LIGAR/DESLIGAR e desligue o dispositivo, aguarde 10 minutos para que o motor arrefeça.

Especificação técnica

Item no: 222157

Tensão e frequência de funcionamento: 230V~/50Hz

Potência de entrada nominal: 250W

Classe de proteção: Classe II 

Classe de proteção à prova de água: IP23

Dimensão: aprox. 71 x 71 x (A) 444 mm

Peso líquido: aprox. 1,6 kg

Velocidade de rotação (rpm): aprox. 6600 a 13500

Nível de ruído: < 85dB(A)

Observação: A especificação técnica está sujeita a alterações sem notificação prévia.

PT



Lista de peças para 222157

N.o de peça	Nome da peça	Quantidade
1	Conjunto de lâminas de titânio	1
2	Anel de vedação do eixo da lâmina	1
3	Bucha de fixação	1
4	Rolamento	1
5	Anel de aço	1
6	Eixo	1
7	Cabeça do eixo	1
8	Tampa do eixo de montagem	1
9	Anel em forma de E	1
10	Eixo da lâmina	1
11	Pino do eixo da lâmina	1
12	Eixo estriado	1
13	Anel de vedação antivibração	1
14	Anel revestido	1
15	Anel anti-vibração para motor	1
16	Parafuso para motor	4
17	Placa de fixação do motor	1
18	Manga estriada	1
19	Motor	1
20	Armário direito	1
21	Armário esquerdo	1
22	Cobertura de absorção do motor	2
23	Parafuso de montagem do motor	2
24	Porca de montagem do gabinete direita e esquerda	2
25	Ventoinha do motor	1
26	Armário superior	1
27	Parafuso de montagem de todos os armários	2
28	Borracha do botão Ligar/Desligar	1
29	Estrutura de fixação de botões	1
30	Placa de alimentação	1
31	Parafuso de montagem	5
32	Painel de controlo	1
33	Cobertura superior	1
34	Parafuso de montagem do invólucro superior	2
35	Autocolante de controlo	1
36	Alívio da tensão	1
37	Cabo de alimentação com ficha	1

38	Estrutura de fixação do motor	1
----	-------------------------------	---

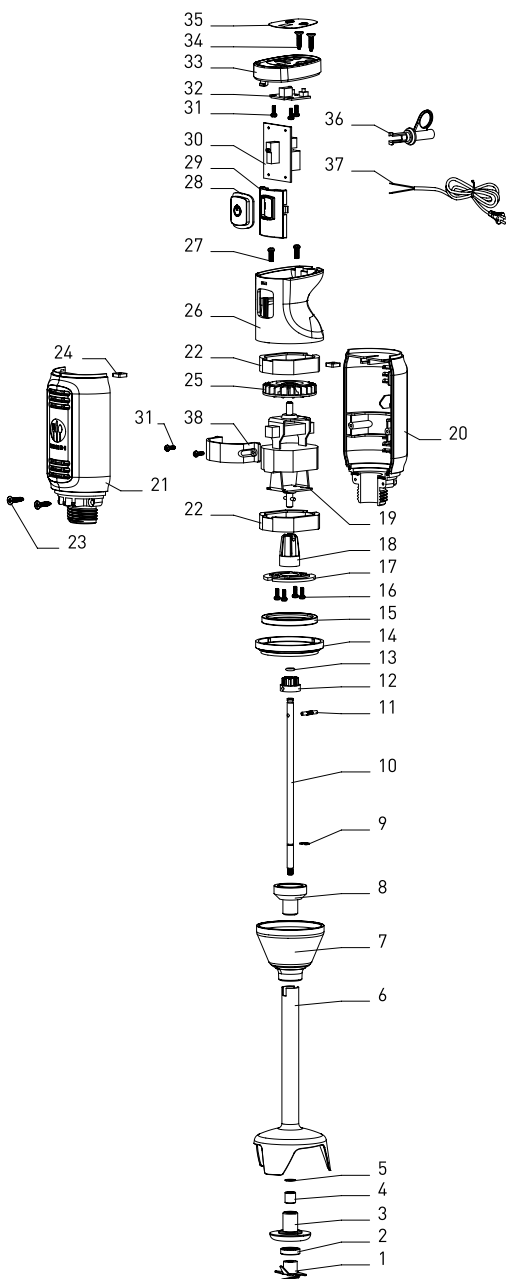
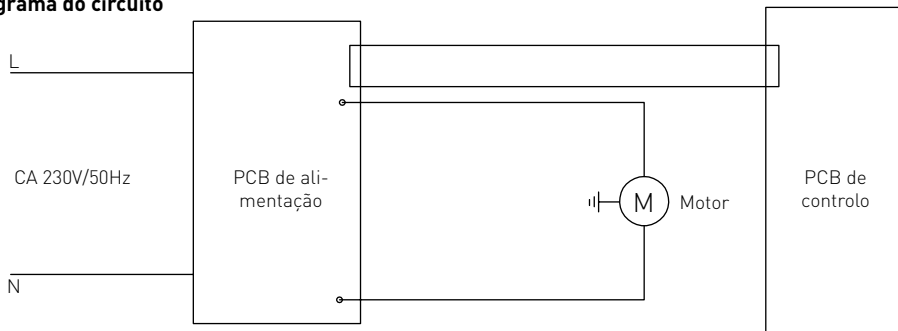


Diagrama do circuito



Garantia

Qualquer defeito que afete a funcionalidade do aparelho que se torne aparente no prazo de um ano após a compra será reparado mediante reparação gratuita ou substituição, desde que o aparelho tenha sido utilizado e mantido de acordo com as instruções e não tenha sido abusado ou mal utilizado de forma alguma. Seus direitos estatutários não são afetados. Se o aparelho for reclamado

ao abrigo da garantia, indique onde e quando foi comprado e inclua o comprovante de compra (por exemplo, recibo).

De acordo com a nossa política de desenvolvimento contínuo de produtos, reservamo-nos o direito de alterar as especificações do produto, embalagem e documentação sem aviso prévio.

Descartar & Ambiente

Ao desactivar o aparelho, o produto não deve ser eliminado com outros resíduos domésticos. Em vez disso, é sua responsabilidade descartar seus equipamentos de resíduos entregando-os a um ponto de coleta designado. O não cumprimento desta regra pode ser penalizado de acordo com os regulamentos aplicáveis em matéria de eliminação de resíduos. A recolha e reciclagem separadas dos seus equipamentos de resíduos no momento da eliminação ajudará a conservar os recursos na-

turais e garantir que sejam reciclados de forma a proteger a saúde humana e o meio ambiente.

Para obter mais informações sobre onde você pode deixar seus resíduos para reciclagem, entre em contato com sua empresa local de coleta de resíduos. Os fabricantes e importadores não assumem a responsabilidade pela reciclagem, tratamento e eliminação ecológica, quer directamente quer através de um sistema público.


PT



Estimado cliente:

Gracias por comprar este electrodoméstico HENDI. Lea detenidamente este manual, prestando especial atención a las normas de seguridad descritas a continuación, antes de instalar y utilizar este aparato por primera vez.

Normativa de seguridad

- Este aparato está diseñado para uso comercial.
- Utilice el aparato únicamente para el propósito previsto para el que fue diseñado, tal y como se describe en este manual.
- El fabricante no se hace responsable de ningún daño causado por un funcionamiento incorrecto y un uso inadecuado.
- Mantenga el aparato y el enchufe eléctrico lejos del agua y otros líquidos. En caso de que el aparato caiga en el agua, retire inmediatamente el enchufe de alimentación de la toma de corriente. No utilice el aparato hasta que haya sido verificado por un técnico certificado. El incumplimiento de estas instrucciones causará riesgos potencialmente mortales.
- Nunca intente abrir la carcasa del aparato usted mismo.
- No inserte objetos en la carcasa del aparato.
- No toque el tapón con las manos mojadas o húmedas.
-  **¡PELIGRO DE DESCARGA ELÉCTRICA!** No intente reparar el aparato usted mismo, las reparaciones solo deben ser realizadas por personal calificado.
- **¡Nunca use un aparato dañado!** Cuando esté dañado, desconecte el aparato del zócalo y póngase en contacto con el distribuidor.
- **¡AVISO!** No sumerja las partes eléctricas del aparato en agua u otros líquidos.
- Nunca sostenga el aparato bajo agua corriente.
- Revise regularmente el enchufe de alimentación y el cable en busca de daños. Cuando se dañe, debe ser reemplazado por un agente de servicio o una persona calificada de manera similar para evitar peligros o lesiones.
- Asegúrese de que el cable no entra en contacto con objetos afilados o calientes y manténgalo alejado del fuego abierto. Nunca tire del cable de alimentación para desenchufarlo del enchufe, siempre tire del enchufe en su lugar.
- Asegúrese de que el cable de alimentación y/o el cable de extensión no causan peligro de desplazamiento.
- Nunca deje el aparato desatendido durante su uso.
- **¡AVISO!** Mientras el enchufe esté en el zócalo, el aparato estará conectado a la fuente de alimentación.
- Apague el aparato antes de desenchufarlo del zócalo.
- Conecte el enchufe a una toma de corriente de fácil acceso para que, en caso de emergencia, el aparato pueda desenchufarse inmediatamente.
- Nunca lleve el aparato por el cable.
- No utilice ningún dispositivo adicional que no se suministre junto con el aparato.

ES




- Conecte el aparato únicamente a una toma de corriente con el voltaje y la frecuencia mencionados en la etiqueta del aparato.
- Nunca utilice accesorios que no sean los recomendados por el fabricante. De no hacerlo, podría suponer un riesgo para la seguridad del usuario y dañar el aparato. Utilice sólo piezas y accesorios originales.
- Este aparato no debe ser operado por personas con capacidades físicas, sensoriales o mentales reducidas, o personas que no tienen experiencia y conocimiento.
- Bajo ninguna circunstancia, este aparato no debe ser utilizado por niños.
- Mantenga el aparato y su cable de alimentación fuera del alcance de los niños.
- **ADVERTENCIA:** Apague SIEMPRE el aparato y desconéctelo de la toma de corriente antes de limpiar, mantener o almacenar.

Normas Especiales de Seguridad

- Utilice el aparato únicamente como se describe en este manual. Solo para uso en interiores.
- Este aparato debe ser utilizado e instalado por personal especializado y formado en la cocina de la industria alimentaria, como catering, restaurante, bar, etc.
- Todos los trabajos de mantenimiento, instalación y reparación deben ser realizados por técnicos autorizados y capacitados especializados.
- Mantenga el aparato alejado de superficies calientes y llamas abiertas. Utilice siempre el aparato sobre una superficie nivelada, estable, limpia, resistente al calor y seca.
- Use ropa protectora, mascarilla o gafas protectoras si es necesario durante el funcionamiento.
- Este aparato no está diseñado para funcionar mediante un temporizador externo o un sistema de control remoto independiente.
- **ADVERTENCIA:** Mantenga todas las aberturas de ventilación del aparato libres de obstrucciones.
- **ADVERTENCIA:** Durante el funcionamiento, mantenga las manos y los utensilios fuera del recipiente para reducir el riesgo de lesiones personales graves y/o daños a la batidora.
- Deje al menos 20 cm de espacio alrededor del aparato para evitar peligros.
- **¡Precaución!** Encamine firmemente el cable de alimentación si es necesario para evitar tirones o contacto accidentales con la hoja móvil.
- No sumerja el eje en agua o líquido de menos de 5 cm.
- No utilice el aparato continuamente para evitar el sobrecalentamiento del motor. El tiempo de funcionamiento continuo no debe superar los 3 minutos. Vuelva a poner en funcionamiento el aparato una vez que se haya enfriado.
- No utilice la máquina fuera del recipiente.
- No toque la hoja, el protector de la hoja ni las piezas móviles. Mantenga los dedos, el cabello, la ropa y los utensilios alejados de todas las partes móviles.
- No lave el aparato con agua o chorro de agua. Lavar con agua puede provocar fugas y aumentar el riesgo de descarga eléctrica. Ninguna pieza es apta para el lavavajillas.
- Para evitar dañar el cable, no lo apriete, doble ni roce en bordes afilados. Manténgalo



alejado también de superficies calientes y llamas abiertas. No deje que las cuchillas giratorias toquen el cable de alimentación.

- Disponga el cable de alimentación de forma que no sea posible tirar o tropezar accidentalmente.
- No limpie ni almacene la máquina a menos que esté completamente enfriada.
- **¡Peligro de lesiones!** Debe tenerse cuidado al manipular las cuchillas cortantes afiladas durante la limpieza.
-  Este aparato está clasificado como protección de clase II.


Uso previsto

- Este aparato está diseñado para uso profesional.
- Este aparato está diseñado únicamente para triturar, mezclar, macerar y hacer puré ingredientes blandos adecuados en un recipiente. Cualquier otro uso puede provocar daños en el

aparato o lesiones personales.

- El uso del aparato para cualquier otro fin se considerará un uso indebido del dispositivo. El usuario será el único responsable del uso indebido del dispositivo.

Piezas principales del aparato

1. Interruptor de encendido/apagado : Mantenga pulsado para un funcionamiento continuo; suelte el botón para detener el funcionamiento
2. Aumente el ajuste de velocidad + :
Aumente la velocidad entre 1 y 6
3. Disminuir ajuste de velocidad - :
Disminuya la velocidad entre 1 y 6
4. Pantalla LCD: Para mostrar el ajuste de velocidad
5. Mango
6. Orificios de ventilación
7. Parte de mezcla desmontable
8. Hoja
9. Protector de cuchilla
10. Unidad principal con motor



Preparativos antes de la operación

- Retire todo el embalaje protector y la envoltura.
- Compruebe que el aparato esté completo y no presente daños durante el transporte. En caso de entrega incompleta o daños, póngase en contacto con el proveedor inmediatamente. NO utilice el aparato. [Consulte ==> Garantía].

- Limpie el aparato antes de usarlo (consulte ==> Limpieza y mantenimiento).
- Asegúrese de que el aparato esté completamente seco.
- Preparación de los ingredientes alimentarios para su procesamiento.

Antes de la operación

- Lea detenidamente este manual antes de utilizarlo.
- Asegúrese de que el aparato esté colocado en un área seca sin ningún obstáculo que bloquee su funcionamiento.
- Compruebe que la fuente de alimentación eléctrica

ca se corresponde con la etiqueta de clasificación del aparato.

- Asegúrese de que la parte de mezcla (7) esté firmemente instalada con el cuerpo principal con la parte del motor (10).



Transporte

- No mueva el aparato mientras esté en funcionamiento. Desenchufe el aparato cuando se mueva a otro lugar.
- Sostenga la parte del asa del aparato cuando se mueva.

Funcionamiento

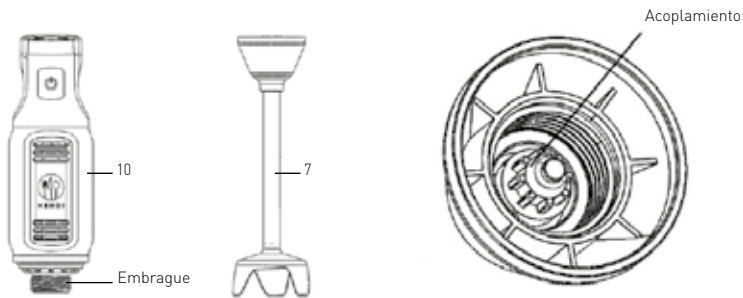
Siga los siguientes consejos de seguridad en todo momento.

- Asegúrese siempre de que el aparato esté desconectado de la fuente de alimentación antes de montarlo con la pieza de mezcla [7].
- Nunca ponga las manos en el recipiente para alimentos (no suministrado). Utilice siempre espátulas de madera o plástico, y solo cuando el aparato no esté funcionando.
- No utilice el aparato sin alimentos dentro del recipiente ni con alimentos duros, líquidos calientes, masa pesada, etc. para evitar el sobrecalentamiento.
- ¡**ADVERTENCIA!** Desenchufe el aparato inmediatamente después de usarlo.

Montaje/desmontaje de los acoplamientos

Las operaciones de montaje/desmontaje del aparato se realizan con el aparato detenido y desconectado de la fuente de alimentación.

Unidad principal (10) y parte de mezcla (7):



Desmontaje:

1. Sujete la unidad principal (10) y desenrosque la pieza de mezcla (7) en el sentido de las agujas del reloj hasta que esté totalmente desacoplada.

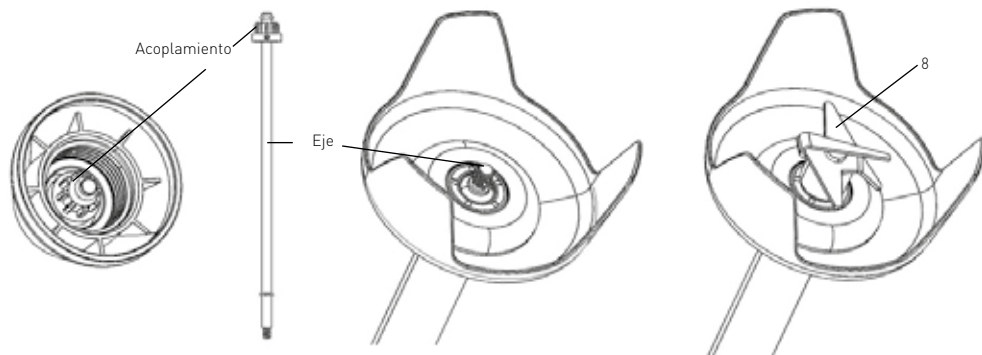
Ensamblaje:

1. Alinee el acoplamiento de la pieza de mezcla (7) con el embrague de la unidad principal (10).
2. Enrosque la parte de mezcla (7) en sentido antihorario hasta que esté completamente apretada.



Parte de mezcla (7) y cuchilla (8):

¡PRECAUCIÓN! Utilice guantes protectores para desmontarlo (no incluidos).



Desmontaje:

1. Sujete el acoplamiento de la pieza de mezclado (7) y desenrosque la hoja (8) en sentido contrario a las agujas del reloj hasta que esté totalmente desprendida.
2. Sujete la pieza de mezcla (7) y tire del eje.

Ensamblaje:

1. Inserte el eje en la parte de mezcla (7) hasta que esté completamente insertado.
2. Sujete el acoplamiento de la pieza de mezclado (7) y atorníllelo en la hoja en el sentido de las agujas del reloj hasta que esté completamente apretado.

ES

Adecuado para:	<ul style="list-style-type: none">• Mezclar zumos y batidos• Mezcla de ingredientes blandos (p. ej., masa para panqueques o mayonesa).• Mezclar verduras en sopa (p. ej., zanahorias, etc.)
Preparación:	<ul style="list-style-type: none">• Pele o prepare los alimentos y córtelos en trozos pequeños.• Coloque los alimentos en un recipiente adecuado de 1-4 litros de capacidad.
Tiempo máximo de funcionamiento continuo	3 minutos para evitar el sobrecalentamiento del motor. Vuelva a poner en funcionamiento el aparato después de enfriarlo.

- Una vez conectado al enchufe, se mostrará "3" en la pantalla LCD (4).
- Baje la parte de mezcla (7) en el recipiente para alimentos (no suministrado). Sumerja completamente la cuchilla (8) en los ingredientes antes de poner en marcha el aparato.
ATENCIÓN: No debe sumergir la parte de mezcla (7) por encima de la marca **Max.**
- Sujete firmemente la unidad principal (10) con una mano y el recipiente de mezcla con la otra.
- Mantenga pulsada la tecla ON / OFF (1), el aparato empieza a batir continuamente.
- Use un movimiento suave hacia arriba y hacia abajo para mezclar los ingredientes de los ali-

mentos suavemente.

- Para evitar salpicaduras de alimentos, no levante el aparato de los ingredientes durante el funcionamiento.
 - Seleccione la velocidad de la cuchilla pulsando el botón + (2) o - (3) (rango de velocidad: 1 a 6) durante el funcionamiento. La velocidad de la cuchilla se mostrará en la pantalla LCD (4).
- Nota: No es necesario pulsar el botón ON/OFF (1) al seleccionar la velocidad de la cuchilla simultáneamente.
- Una vez finalizada la operación, suelte la tecla de encendido/apagado (1) para apagar el aparato.
 - Espere hasta que la cuchilla (8) se detenga com-



pletamente. A continuación, desenchúfelo del suministro eléctrico.

- Gire la unidad principal (10) en el sentido de las agujas del reloj para desmontar la pieza de mezcla (7) y limpiarla.

Nota:

1. Mantenga pulsado el botón de disminución y aumento + (2) o - (3) para un ajuste rápido.
2. La velocidad predeterminada de la cuchilla se establecerá en "3" una vez enchufada.

Limpeza y mantenimiento

Atención: Desenchufe siempre el aparato de la toma de corriente eléctrica y déjelo enfriar por completo antes de limpiar y desmontar la pieza de mezcla (7).

Limpeza

- Retire todos los obstáculos cerca de la cuchilla.
- Coloque el brazo mezclador y la campana en un recipiente adecuado con agua limpia y enciéndalos durante unos segundos. Nunca sumerja el eje por encima de la marca Máx.
- Nunca sumerja la unidad del motor ni el mango

en agua; límpielos con un paño húmedo o una esponja.

ADVERTENCIA: Seque siempre bien las cuchillas después de limpiarlas para evitar manchas de óxido.

Procedimiento de limpieza recomendado:

Piezas	Cómo limpiar	Frecuencia
Unidad principal con motor (10)	<ul style="list-style-type: none">• Nunca sumerja esta pieza en agua u otros líquidos.• Con un paño húmedo con un poco de detergente y agua, enjuague, desinfecte y seque bien.	Limpiar después de cada uso
Parte de mezcla (7)	<ul style="list-style-type: none">• Límpielo con agua tibia y un poco de detergente suave. No sumerja la parte de mezcla desmontable (7) por encima de la marca Máx.• Seque todas las piezas antes de volver a utilizarlas.	
Cuchilla (8)	<ul style="list-style-type: none">• ¡Advertencia! ¡Riesgo de lesiones! Tenga mucho cuidado al limpiar las cuchillas.• Límpielo con agua tibia y un poco de detergente suave.• Séquelo bien después de limpiarlo.	

Almacenamiento

- Antes de guardarlo, asegúrese siempre de que el aparato ya se ha desconectado de la toma de corriente y se ha enfriado por completo.
- Guarde el aparato en un lugar fresco, limpio y seco y manténgalo fuera del alcance de los niños.

ES



Resolución de problemas

Si el aparato no funciona correctamente, compruebe la solución en la tabla siguiente. Si sigue sin poder resolver el problema, póngase en contacto con el proveedor/proveedor de servicios.

Problemas	Posibles causas	Posible solución
El aparato no se enciende	El enchufe de alimentación no está conectado correctamente a una fuente de alimentación adecuada.	Asegúrese de que el enchufe esté conectado correctamente a una toma de corriente adecuada.
	El botón ON/OFF (1) no está pulsado.	Mantenga pulsada la tecla ON/OFF (1) para encender el aparato.
Ruidos anómalos durante el procesamiento	La parte de mezcla (7) no está conectada correctamente.	Desmonte y vuelva a montar la pieza de mezcla (7).
El aparato no puede funcionar	Se activan los dispositivos de sobrecalentamiento internos.	Deje que el aparato se enfríe por completo antes de volver a iniciar el funcionamiento.
El aparato está sobrecalentado	Operación de horas extras	Suelte el botón ON/OFF y desenchufe el dispositivo; espere 10 minutos a que el motor se enfríe.

Especificación técnica

N.º de artículo: 222157

Tensión y frecuencia de funcionamiento: 230V- / 50Hz

Potencia de entrada nominal: 250W

Clase de protección: Clase II 

Clase de protección impermeable: IP23

Dimensiones: aprox. 71 x 71 x (Al) 444 mm

Peso neto: aprox. 1,6 kg

Velocidad de rotación (rpm): aprox. de 6600 a 13500

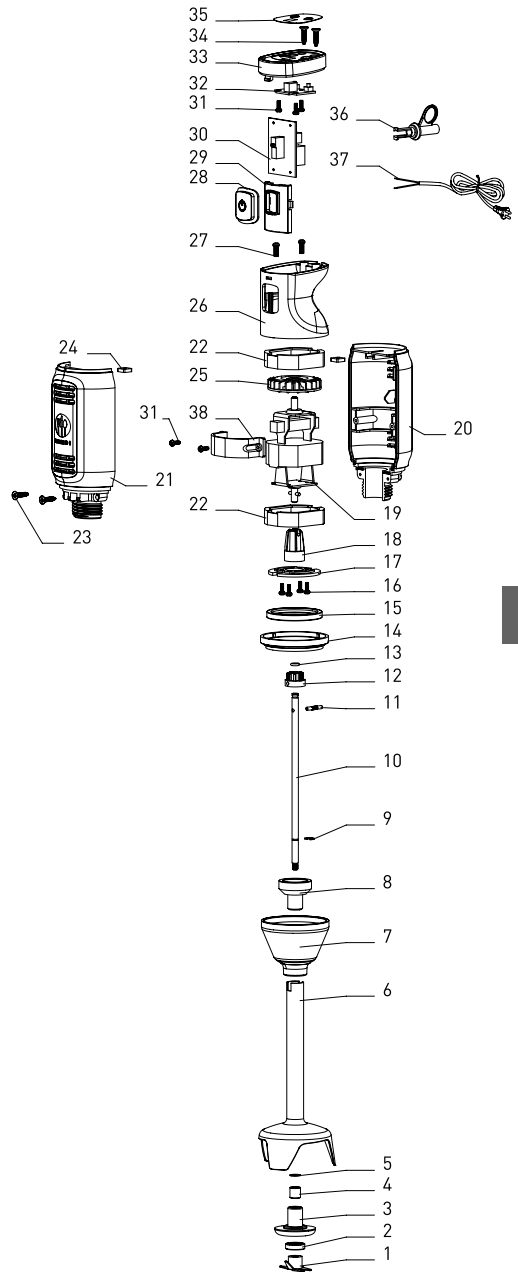
Nivel de ruido: < 85dB(A)

Observación: Las especificaciones técnicas están sujetas a cambios sin previo aviso.

Lista de piezas para 222157

N.º de pieza	Nombre de la pieza	Cantidad
1	Conjunto de hoja de titanio	1
2	Anillo de sellado del eje de la cuchilla	1
3	Casquillo de fijación	1
4	Cojinete	1
5	Anillo de acero	1
6	Eje	1
7	Cabezal del eje	1
8	Cubierta del eje de montaje	1
9	Anillo con forma de E	1
10	Eje de la cuchilla	1
11	Pasador del eje de la cuchilla	1
12	Eje estriado	1
13	Anillo de sellado antivibración	1
14	Anillo recubierto	1
15	Anillo antivibración para motor	1
16	Tornillo para motor	4
17	Placa de fijación del motor	1
18	Manga estriada	1
19	Motor	1
20	Armario derecho	1
21	Armario izquierdo	1
22	Cubierta de absorción del motor	2
23	Tornillo de montaje del motor	2
24	Tuerca de montaje del cierre derecho e izquierdo	2
25	Ventilador del motor	1
26	Carcasa superior	1
27	Tornillo de montaje de todos los armarios	2
28	Caucho con botón de encendido/apagado	1
29	Bastidor de fijación de botón	1
30	Placa de alimentación	1
31	Tornillo de montaje	5
32	Tarjeta de control	1
33	Cubierta superior	1
34	Tornillo de montaje de la carcasa superior	2
35	Pegatina de control	1
36	Alivio de la tensión	1
37	Cable de alimentación con enchufe	1

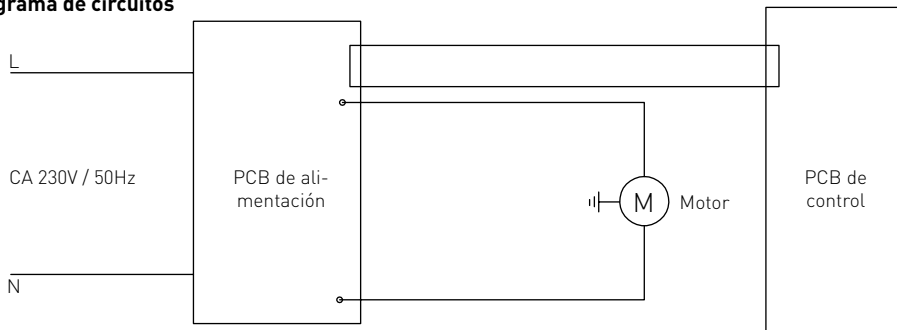
38	Bastidor de fijación del motor	1
----	--------------------------------	---



ES



Diagrama de circuitos



Garantía

Cualquier defecto que afecte a la funcionalidad del aparato que se manifieste en el plazo de un año a partir de la compra será reparado mediante reparación o sustitución gratuita, siempre que el aparato haya sido utilizado y mantenido de acuerdo con las instrucciones y no haya sido abusado o utilizado indebidamente de ninguna manera. Sus derechos legales no se ven afectados. Si el aparato se reclama bajo garantía, indique dónde y cuándo

se compró e incluya un comprobante de compra (por ejemplo, recibo).

En línea con nuestra política de desarrollo continuo de productos, nos reservamos el derecho de cambiar las especificaciones del producto, el embalaje y la documentación sin previo aviso.

ES

Descartar y Medio Ambiente

Al retirar el aparato, el producto no debe eliminarse con otros residuos domésticos. En su lugar, es su responsabilidad deshacerse de su equipo de residuos entregándolo a un punto de recogida designado. El incumplimiento de esta norma puede ser penalizado de conformidad con la normativa aplicable en materia de eliminación de residuos. La recogida y reciclaje por separado de sus equipos de residuos en el momento de su eliminación ayudará a conservar los recursos naturales y ga-

rantizar que se reciclen de manera que proteja la salud humana y el medio ambiente.

Para obtener más información sobre dónde puede dejar sus residuos para su reciclaje, póngase en contacto con su empresa local de recogida de residuos. Los fabricantes e importadores no se responsabilizan del reciclaje, el tratamiento y la eliminación ecológica, ya sea directamente o a través de un sistema público.



Vážený zákazník,

Ďakujeme, že ste si kúpili tento prístroj Hendi. Pozorne si prečítajte túto príručku a venujte osobitnú pozornosť bezpečnostným predpisom, ktoré sú uvedené nižšie, pred prvou inštaláciou a používaním tohto zariadenia.

Bezpečnostné predpisy

- Tento spotrebič je určený na komerčné použitie.
- Spotrebič používajte len na určený účel, na ktorý bol navrhnutý tak, ako je opísané v tejto príručke.
- Výrobca nenesie zodpovednosť za žiadne škody spôsobené nesprávnou prevádzkou a nesprávnym používaním.
- Spotrebič a elektrickú zástrčku uchovávajte mimo dosahu vody a iných kvapalín. V prípade, že spotrebič spadne do vody, okamžite vyberte zástrčku zo zásuvky. Spotrebič nepoužívajte, kým ho nekontroluje certifikovaný technik. Nedodržanie týchto pokynov spôsobí život ohrozujúce riziká.
- Nikdy sa nepokúšajte otvoriť kryt spotrebiča sami.
- Nevkladajte predmety do krytu spotrebiča.
- Nedotýkajte sa zástrčky mokkými alebo vlhkými rukami.
- ⚡ **NEBEZPEČENSTVO ÚRAZU ELEKTRICKÝM PRÚDOM!** Nepokúšajte sa opraviť spotrebič sami, opravy majú vykonávať len kvalifikovaný personál.
- **Nikdy nepoužívajte poškodený spotrebič!** Keď dôjde k poškodeniu, odpojte spotrebič od zásuvky a obráťte sa na predajcu.
- **VAROVANIE!** Neponorte elektrické časti spotrebiča do vody alebo iných kvapalín.
- Nikdy nedržte spotrebič pod tečúcou vodou.
- Pravidelne kontrolujte, či je napájacia zástrčka a kábel poškodený. Ak je poškodený, musí byť nahradený servisným agentom alebo podobne kvalifikovanou osobou, aby sa predišlo nebezpečenstvu alebo zraneniu.
- Uistite sa, že kábel nie je v kontakte s ostrými alebo horúcimi predmetmi a nechajte ho mimo otvoreného ohňa. Nikdy nevytiahnite napájací kábel, aby ste ho odpojili od zásuvky, vždy vytiahnite zástrčku.
- Uistite sa, že napájací kábel a/alebo predlžovací kábel nespôsobujú nebezpečenstvo vypnutia.
- Počas používania nikdy nenechávajte spotrebič bez dozoru.
- **VAROVANIE!** Pokiaľ je zástrčka v zásuvke, spotrebič je pripojený k zdroju napájania.
- Pred odpojením zariadenia zo zásuvky vypnite spotrebič.
- Pripojte napájaciu zástrčku k ľahko dostupnej elektrickej zásuvke, aby bolo v prípade núdze možné okamžite odpojiť spotrebič.
- Nikdy nenoste spotrebič za kábel.
- Nepoužívajte žiadne ďalšie zariadenia, ktoré nie sú dodávané spolu so spotrebičom.
- Spotrebič pripojte iba k elektrickej zásuvke s napätím a frekvenciou uvedenou na štítku spotrebiča.

SK



- Nikdy nepoužívajte iné príslušenstvo ako príslušenstvo odporúčané výrobcom. Nedodržanie tohto postupu by mohlo predstavovať bezpečnostné riziko pre užívateľa a mohlo by dôjsť k poškodeniu spotrebiča. Používajte iba originálne diely a príslušenstvo.
- Tento prístroj by nemal prevádzkovať osoby so zníženými fyzickými, zmyslovými alebo duševnými schopnosťami alebo osoby, ktoré nemajú dostatok skúseností a vedomostí.
- Tento spotrebič by za žiadnych okolností nemali používať deti.
- Spotrebič a jeho napájací kábel uchovávajte mimo dosahu detí.
- **UPOZORNENIE:** VŽDY vypnite spotrebič a odpojte od elektrickej zásuvky pred čistením, údržbou alebo skladovaním.

Osobitné bezpečnostné predpisy

- Spotrebič používajte len v súlade s popisom v tomto návode. Používajte len v interiéri.
- Tento spotrebič by mal obsluhovať a inštalovať špecializovaný vyškolený personál v kuchyni potravinárskeho priemyslu, ako je catering, reštaurácia, bar atď.
- Všetky údržbové, inštalačné a opravárske práce by mali vykonávať špecializovaní kvalifikovaní technici.

• **Spotrebič chráňte pred horúcimi povrchmi a otvoreným ohňom.** Spotrebič používajte vždy na rovnom, stabilnom, čistom, teplovzdornom a suchom povrchu.

• **Počas prevádzky no ste ochranný odev, masku alebo ochranné okuliare, ak je to potrebné.**

• Tento spotrebič nie je určený na prevádzku prostredníctvom externého časovača ani samostatného diaľkového ovládania.

• **VAROVANIE:** Všetky vetracie otvory v spotrebiči udržiavajte mimo prekážok.

• **VAROVANIE:** Počas prevádzky držte ruky a pomôcky mimo kontajnera, aby ste znížili riziko vážnych zranení osôb a/alebo poškodenia mixéra.

• Okolo spotrebiča nechajte priestor minimálne 20 cm, aby ste predišli nebezpečenstvu.

• **Pozor!** V prípade potreby bezpečne vedte napájací kábel, aby ste zabránili neúmyselnému ťahaníu alebo kontaktu s pohybujúcou sa čepeľou.

• Hriadeľ neponárajte do vody ani kvapaliny menšej ako 5 cm.

• Spotrebič neprevádzkujte nepretržite, aby ste zabránili prehriatiu motora. Čas nepretržitej prevádzky by nemal prekročiť 3 minúty. Spotrebič po vychladnutí opäť používajte.

• Nepoužívajte stroj mimo kontajnera.


• Nedotýkajte sa čepele, chrániča čepele a pohyblivých častí. Prsty, vlasy, oblečenie a pomôcky držte mimo všetkých pohyblivých častí.

• Spotrebič neumývajte vodou ani vodnou pištoľou. Pranie s vodou môže spôsobiť únik vody a zvýšiť riziko úrazu elektrickým prúdom. Žiadne časti nie sú vhodné do umývačky riadu.

• Aby nedošlo k poškodeniu kábla, nestláčajte, neohýbajte ho ani ho nepohybujte na ostrých hranách. Uchovávajte mimo horúcich povrchov a otvoreného ohňa. Nedovoľte, aby sa rotujúce čepele dotýkali napájacieho kábla.

• Sieťový kábel odložte tak, aby nebolo možné neúmyselné vytiahnutie alebo zakopnutie.

• Stroj nečistite ani neskladujte, ak nie je úplne vychladnutý.

- **Nebezpečenstvo zranenia!** Pri manipulácii s ostrými rezacími čepeľami počas čistenia postupujte opatrne.
-  Tento spotrebič je klasifikovaný ako ochrana triedy II.


Zamýšľané použitie

- Tento spotrebič je určený na profesionálne použitie.
- Tento spotrebič je určený výlučne na drvenie, miešanie, drvenie a pyré vhodných mäkkých prísad v nádobe. Akékoľvek iné použitie môže viesť k

poškodeniu spotrebiča alebo zraneniu osôb.

- Používanie spotrebiča na akýkoľvek iný účel sa považuje za nesprávne použitie zariadenia. Používateľ nesie výhradnú zodpovednosť za nesprávne použitie zariadenia.

Hlavné časti spotrebiča

1. Vypínač ZAP/VYP  : Stlačte a podržte pre nepretržitú prevádzku; Uvoľnením tlačidla zastavte prevádzku
2. Zvýšte nastavenie rýchlosti + :
Zvýšte rýchlosť v rozsahu od 1 do 6
3. Nastavenie zníženia rýchlosti - :
Znížte rýchlosť v rozsahu od 1 do 6
4. LCD displej: Zobrazenie nastavenia rýchlosti
5. Rukoväť
6. Vetracie otvory
7. Odnímateľná zmiešavacia časť
8. Čepeľ
9. Chránič čepele
10. Hlavná jednotka s motorom



SK

Príprava pred prevádzkou

- Odstráňte všetky ochranné obaly a obaly.
- Skontrolujte, či je spotrebič kompletný a či nie je poškodený. V prípade neúplného doručenia alebo poškodenia sa okamžite obráťte na dodávateľa. Spotrebič NEPOUŽÍVAJTE. (Pozri ==> Záruka).

- Pred použitím spotrebič vyčistite (pozri ==> Čistenie a údržba).
- Skontrolujte, či je spotrebič úplne suchý.
- Príprava potravinových prísad na spracovanie.

Pred prevádzkou

- Pred prevádzkou si dôkladne a pozorne prečítajte tento návod.
- Uistite sa, že spotrebič je umiestnený na suchom mieste bez prekážok, ktoré by blokovali vašu prevádzku.

- Skontrolujte, či elektrické napájanie zodpovedá typovému štítku na spotrebiči.
- Uistite sa, že zmiešavacia časť (7) je pevne nainštalovaná hlavným telesom s motorovou časťou (10).

Preprava

- Spotrebič nepremiestňujte, keď je v činnosti. Pri presúvaní na iné miesto spotrebič odpojte od

elektrickej siete.

- Pri odťahovaní držte časť spotrebiča s rukoväťou.



Prevádzka

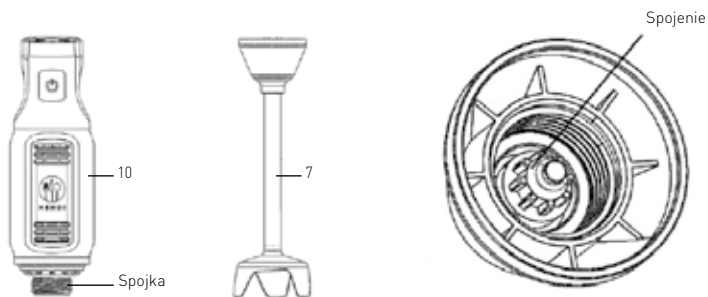
Vždy dodržiavajte nasledujúce bezpečnostné pokyny!

- Pred montážou so zmiešavacou časťou (7) vždy skontrolujte, či je spotrebič odpojený od napájania.
- Nikdy nekladajte ruky do nádoby na potraviny (nedodáva sa). Vždy používajte drevené alebo plastové špachtle a len vtedy, keď spotrebič nie je v prevádzke.
- Spotrebič nepoužívajte v nádobe, ani s tvrdými potravinami, horúcimi tekutinami, ťažkým cestom a pod., aby ste predišli prehriatiu.
- **VAROVANIE!** Ihneď po použití spotrebič odpojte od elektrickej siete.

Montáž/demontáž nastavcov

Montáž/demontáž spotrebiča sa vykonáva tak, že spotrebič je zastavený a odpojený od napájania.

Hlavná jednotka (10) a zmiešavacia časť (7):



Demontáž:

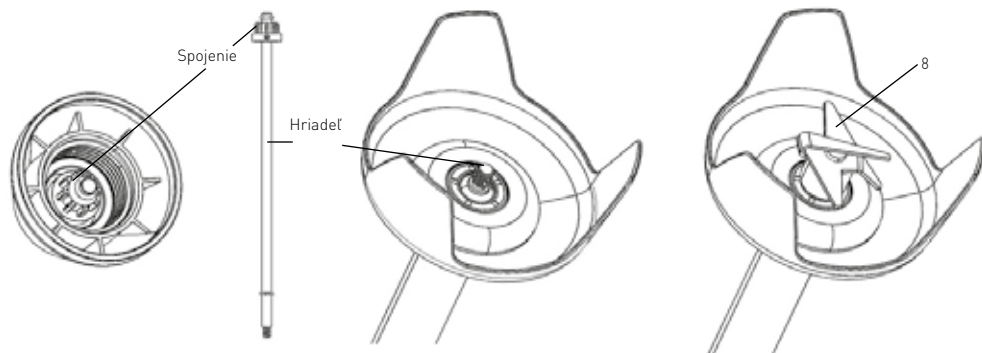
1. Pridržte hlavnú jednotku (10) a vyskrutkujte zmiešavaciu časť (7) v smere hodinových ručičiek, kým sa úplne neodpojí.

Montáž:

1. Spojenie zmiešavacej časti (7) zarovnajte so spojkou hlavnej jednotky (10).
2. Naskrutkujte zmiešavaciu časť (7) proti smeru hodinových ručičiek tak, aby bola úplne utiahnutá.

Zmiešavací diel (7) a čepeľ (8):

OBOZRETNOSŤ! Pri demontáži používajte ochranné rukavice (nie sú súčasťou balenia).



Demontáž:

1. Podržte spoj zmiešavacej časti (7) a čepeľ (8) vyskrutkujte proti smeru hodinových ručičiek, kým sa úplne neodpojí.
2. Podržte zmiešavaciu časť (7) a vyťahnite hriadeľ.

Montáž:

1. Vložte hriadeľ do miešacej časti (7), až kým nebude úplne zasunutý.
2. Držte spoj zmiešavacej časti (7) a zaskrutkujte čepeľ v smere hodinových ručičiek, kým nie je úplne utiahnutá.

Vhodné pre:	<ul style="list-style-type: none">• Miešanie džúsov a nápojov• Miešanie jemných prísad (napr. pekáča na palubu alebo majonézy).• Miešanie zeleniny do polievky (napr. mrkvy atď.)
Príprava:	<ul style="list-style-type: none">• Ošúpte alebo okoreňte jedlo a nakrájajte ho na malé kúsky.• Potravinu vložte do vhodnej nádoby s objemom 1~4 litre.
Maximálny čas nepretržitej prevádzky	3 minúty, aby sa zabránilo prehriatiu motora. Po vychladnutí spotrebič opäť používajte.

- Po pripojení k elektrickej zástrčke sa na LCD displeji (4) zobrazí „3“.
- Znížte zmiešavaciu časť (7) do nádoby na potraviny (nie je súčasťou dodávky). Pred spustením spotrebiča úplne ponorte čepeľ (8) do prísad. **POZORNOSŤ:** Nemali by ste ponárať zmiešavací diel (7) nad značku **Max.**
- Jednou rukou pevne držte hlavnú jednotku (10) a druhou rukou nádobu na miešanie.
- Stlačte a podržte tlačidlo ZAP/VYP (1), spotrebič potom začne nepretržite miešať.
- Jemným pohybom nahor a nadol zmiešajte zložky jedla.
- Aby ste predišli praskaniu potravín, počas prevádzky nevyťahujte spotrebič z prísad.
- Zvoľte rýchlosť čepele stlačením tlačidla + (2) alebo - (3)

bo - (3) (Rozsah rýchlosti: 1 až 6) počas prevádzky. Rýchlosť čepele sa zobrazí na LCD displeji (4).

Poznámka: Pri súčasnom výbere rýchlosti čepele nie je potrebné stlačiť tlačidlo ON/OFF (1).

- Po skončení prevádzky uvoľnite tlačidlo ZAP/VYP (1), čím spotrebič vypnete.
- Počkajte, kým sa čepeľ (8) úplne nezastaví. Potom ho odpojte od elektrickej siete.
- Otočte hlavnú jednotku (10) v smere hodinových ručičiek, aby ste rozmontovali zmiešavaciu časť (7) na čistenie.

Poznámka:

1. Stlačte a podržte tlačidlo na zníženie a zvýšenie + (2) alebo - (3) na rýchle nastavenie.
2. Po zapojení sa predvolená rýchlosť čepele nastaví na hodnotu „3“.

Čistenie a údržba

Upozornenie: Pred čistením a demontážou zmiešavacej časti (7) spotrebič vždy odpojte od elektrickej zásuvky a nechajte ho úplne vychladnúť.

Čistenie

- Odstráňte všetky prekážky v blízkosti čepele.
- Umiestnite miešacie rameno a zvonček do vhodnej nádoby s čistou vodou a na niekoľko sekúnd zapnite. Nikdy neponárajte hriadeľ nad značku Max.

- Motorovú jednotku ani rukoväť nikdy neponárajte do vody. Čistite vlhkou handričkou alebo špongiou.

VAROVANIE: Po čistení čepielky vždy dôkladne osušte, aby ste predišli hrdzaveniu.



Odporúčaný postup čistenia:

Diely	Ako čistiť	Frekvencia
Hlavná jednotka s motorom (10)	<ul style="list-style-type: none"> Túto časť nikdy neponárajte do vody ani iných tekutín. Pomocou vlhkej handričky s malým množstvom čistiaceho prostriedku a vody dôkladne opláchnite, vydezinfikujte a vysušte. 	Po každom použití vyčistite
Zmiešavacia časť (7)	<ul style="list-style-type: none"> Vyčistite ho teplou vodou a jemným čistiacim prostriedkom. Odnímateľný mixovací diel (7) neponárajte nad značku Max. Pred opätovným použitím vysušte všetky časti. 	
Čepel (8)	<ul style="list-style-type: none"> Varovanie! Riziko zranenia! Pri čistení čepeľí dávajte veľký pozor. Vyčistite ho teplou vodou a jemným čistiacim prostriedkom. Po vyčistení ho dôkladne vysušte. 	

Skladovanie

- Pred uskladnením vždy skontrolujte, či je spotrebič odpojený od elektrickej zásuvky a či je úplne vychladený.
- Spotrebič skladujte na chladnom, čistom a suchom mieste a uchovávajte mimo dosahu detí.

Riešenie problémov

Ak spotrebič nefunguje správne, pozrite si tabuľku nižšie pre roztok. Ak problém nedokážete vyriešiť, obráťte sa na dodávateľa/poskytovateľa služieb.


Problémy	Možné príčiny	Možné riešenie
Spotrebič sa nezapne	Sieťová zástrčka nie je správne pripojená k vhodnému zdroju napájania.	Skontrolujte, či je zástrčka správne zapojená do vhodnej elektrickej zásuvky.
	Tlačidlo ZAP/VYP (1) nie je stlačené.	Spotrebič zapnite stlačením a podržaním tlačidla ZAP/VYP (1).
Abnormálne šумы počas spracovania	Zmiešavací diel (7) nie je správne pripojený.	Znova rozmontujte a zmontujte zmiešavaciu časť (7).
Spotrebič sa nedá používať	Aktivuje sa vnútorné prehriatie zariadení.	Pred opätovným spustením nechajte spotrebič vychladnúť.
Spotrebič sa prehrieva	Prevádzka nadčas	Uvoľnite tlačidlo ON/OFF (Zap./Vyp.) a odpojte zariadenie od elektrickej siete. Počkajte 10 minút, kým motor vychladne.

Technické špecifikácie

Č. položky: 222157

Prevádzkové napätie a frekvencia: 230V~ / 50Hz

Menovitý vstupný výkon: 250W

Trieda ochrany: Trieda II 

Rozmery: približne 71 x 71 x (V) 444 mm

Čistá hmotnosť: cca 1,6 kg

Rýchlosť otáčania (ot./min.): približne 6 600 až 13 500

Hladina hluku: < 85dB(A)

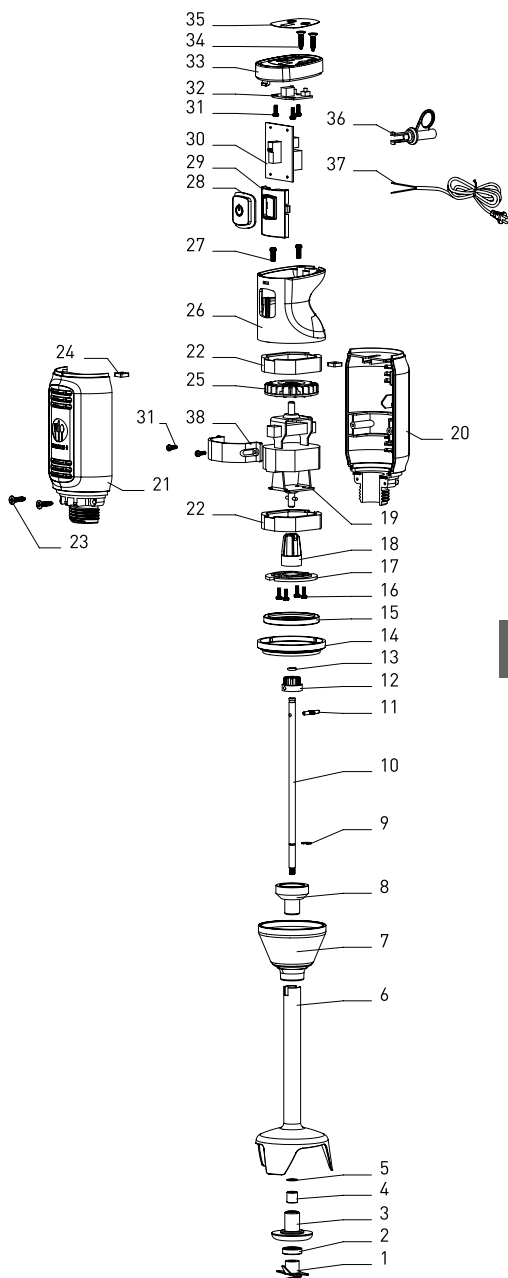
Trieda ochrany proti vode: IP23

Poznámka: Technické špecifikácie podliehajú zmenám bez predchádzajúceho oznámenia.



Zoznam dielov pre 222157

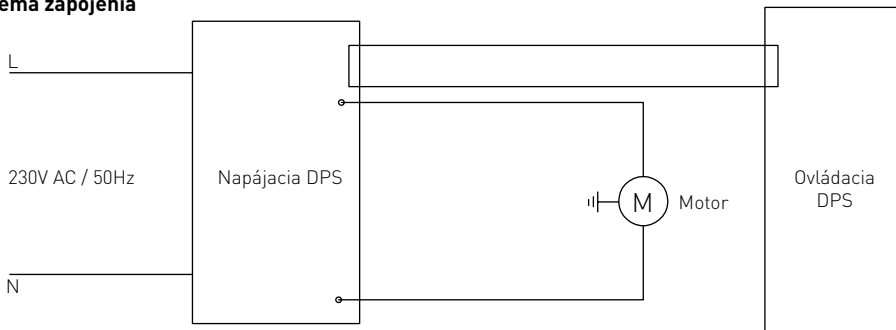
Č. časti	Názov časti	Množstvo
1	Zostava titánovej čepele	1
2	Tesniaci krúžok hriadeľa čepele	1
3	Upevňovacie puzdro	1
4	Ložisko	1
5	Oceľový krúžok	1
6	Hriadeľ	1
7	Hlava hriadeľa	1
8	Kryt upevňovacieho hriadeľa	1
9	Krúžok tvaru E	1
10	Čepel hriadeľa	1
11	Kotlík hriadeľa čepele	1
12	Driek drážkovania	1
13	Protivibračný tesniaci krúžok	1
14	Pofahovaný krúžok	1
15	Protivibračný krúžok pre motor	1
16	Skrutka motora	4
17	Upevňovacia doska motora	1
18	Prierezové puzdro.	1
19	Motor	1
20	Pravá skriňa	1
21	Ľavý kryt	1
22	Kryt pohlcujúci motor	2
23	Montážna skrutka motora	2
24	Pravá a ľavá upevňovacia matica s uzávierkou	2
25	Ventilátor motora	1
26	Vrchný kryt	1
27	Montážna skrutka všetkých skriň	2
28	Gumové tlačidlo zapnutia/vypnutia	1
29	Upevňovací rám na gombíky	1
30	Napájacia doska	1
31	Montážna skrutka	5
32	Riadiaca doska	1
33	Horný kryt	1
34	Montážna skrutka horného krytu	2
35	Ovládacia nálepka	1
36	Uvoľnenie namáhania	1
37	Napájací kábel so zástrčkou	1
38	Upevňovací rám motora	1



SK



Schéma zapojenia



Záruka

Akkoľvek chyba ovplyvňujúca funkčnosť spotrebiča, ktorá sa prejaví do jedného roka po zakúpení, bude opravená bezplatnou opravou alebo výmenou za predpokladu, že spotrebič bol použitý a udržiavaný v súlade s pokynmi a nebol zneužitý ani zneužitý. Vaše zákonné práva nie sú dotknuté. Ak je spotrebič nárokován na základe záruky, uveďte,

kde a kedy bol zakúpený, a uveďte doklad o kúpe (napr. potvrdenie o prijatí).

V súlade s našou politikou nepretržitého vývoja produktov si vyhradujeme právo bez predchádzajúceho upozornenia meniť špecifikácie výrobku, balenia a dokumentácie.

Vyhadzovanie a životné prostredie

Pri vyradovaní spotrebiča z prevádzky sa liek nesmie likvidovať s iným domovým odpadom. Namiesto toho je vašou zodpovednosťou zlikvidovať svoje odpadové zariadenie odovzdaním určenému zbernému miestu. Nedodržanie tohto pravidla môže byť penalizované v súlade s platnými predpismi o zneškodňovaní odpadu. Samostatný zber a recyklácia vášho odpadového zariadenia v čase likvidácie pomôže zachovať prírodné zdroje a za-

bezpečiť ich recyklovanie spôsobom, ktorý chráni ľudské zdravie a životné prostredie.

Pre viac informácií o tom, kde môžete odložiť svoj odpad na recykláciu, kontaktujte miestnu spoločnosť na zber odpadu. Výrobcovia a dovozcovia nepreberú zodpovednosť za recykláciu, úpravu a ekologickú likvidáciu, a to buď priamo, ani prostredníctvom verejného systému.

Zahvaljujemo se vam za nakup naprave Hendi. Pred prvo uporabo naprave natančno preberite ta priročnik, pri čemer bodite posebej pozorni na varnostne predpise, opisane spodaj.


Varnostna navodila

- Ta naprava je namenjena za komercialno uporabo.
- Napravo uporabljajte samo za predviden namen, za katerega je bila zasnovana, kot je opisano v tem priročniku.
- Proizvajalec ni odgovoren za škodo, ki nastane zaradi nepravilnega delovanja in nepravilne uporabe.
- Naprava in električni vtič morata biti oddaljena od vode in drugih tekočin. Če naprava pade v vodo, takoj iztaknite vtič iz vtičnice. Naprave ne uporabljajte, dokler je ne preveri certificirani tehnik. Neupoštevanje teh navodil povzroči življenjsko nevarna tveganja.
- Ohišja naprave nikoli ne odpirajte sami.
- V ohišje naprave ne vstavljajte predmetov.
- Čepa se ne dotikajte z mokrimi ali vlažnimi rokami.
- ⚡ **NEVARNOST ELEKTRIČNEGA UDARA!** Naprave ne poskušajte popravljati sami, popravila lahko izvaja samo kvalificirano osebe.
- **Nikoli ne uporabljajte poškodovane naprave!** Če je poškodovan, napravo izključite iz vtičnice in se obrnite na trgovca.
- **OPOZORILO!** Električnih delov naprave ne potaplajte v vodo ali druge tekočine.
- Naprave nikoli ne držite pod tekočo vodo.
- Redno preverjajte, ali sta vtič in kabel morda poškodovana. Če je poškodovan, ga mora zamenjati predstavnik servisne službe ali druga strokovno usposobljena oseba, da se izognete nevarnosti ali poškodbam.
- Zagotovite, da kabel ne pride v stik z ostrimi ali vročimi predmeti in ga hranite pred odprtim ognjem. Napajalnega kabla nikoli ne vlecite za odklop iz vtičnice, vedno povlecite za vtič.
- Pazite, da priključni kabel in/ali podaljšek ne povzročita nevarnosti spotaknitve.
- Naprave med uporabo nikoli ne puščajte brez nadzora.
- **OPOZORILO!** ADokler je vtič v vtičnici, je naprava priključena na vir napajanja.
- Preden napravo izvlečete iz vtičnice, jo izklopite.
- Vtič vključite v električno vtičnico, ki je lahko dostopna in omogoča takojšen odklop naprave.
- Naprave nikoli ne prenašajte za kabel.
- Ne uporabljajte nobenih dodatnih naprav, ki niso priložene napravi.
- Napravo priključite v električno omrežje samo z napetostjo in frekvenco, ki sta navedeni na nalepki naprave.
- Nikoli ne uporabljajte dodatkov, ki jih ne priporoča proizvajalec. V nasprotnem primeru lahko predstavljate tveganje za uporabnika in poškodujete napravo. Uporabljajte samo originalne dele in dodatke.
- Naprave ne smejo upravljati osebe z zmanjšanimi telesnimi, čutnimi ali razumskimi sposobnostmi ali osebe s pomanjkanjem izkušenj in znanja.



- Naprave v nobenem primeru ne smejo uporabljati otroci.
- Napravo in napajalni kabel hranite zunaj dosega otrok.
- **OPOZORILO:** Pred čiščenjem, vzdrževanjem ali shranjevanjem VEDNO izklopite napravo in iztaknite vtič iz vtičnice.

Posebni varnostni predpisi


- Napravo uporabljajte le tako, kot je opisano v tem priročniku. Samo za uporabo v zaprtih prostorih.
- To napravo mora upravljati in namestiti strokovno usposobljeno osebje v kuhinji prehranske industrije, kot so gostinstvo, restavracija, bar itd.
- Vsa vzdrževalna dela, namestitvena dela in popravila mora izvajati pooblaščen serviser.
- Naprave ne približujte vročim površinam in odprtemu ognju. Napravo vedno uporabljajte na ravni, stabilni, čisti, na vročino odporni in suhi površini.
- Med delom z napravo nosite zaščitna oblačila, masko ali zaščitna očala.
- Ta naprava ni namenjena upravljanju z zunanjo programsko uro ali z ločenim sistemom za daljinsko upravljanje.
- **OPOZORILO:** Na napravi ne sme biti ovir.
- **OPOZORILO:** Med delovanjem hranite roke in pripomočke izven posode, da zmanjšate tveganje za resne telesne poškodbe in/ali poškodbe mešalnika.
- Da se izognete nevarnosti, počakajte vsaj 20 cm okoli naprave.
- **Pozor!** Po potrebi varno speljite napajalni kabel, da preprečite nenamerno vlečenje ali stik s premikajočim se rezilom.
- Greda ne potaplajte v vodo ali tekočino, manjšo od 5 cm.
- Naprave ne uporabljajte neprekinjeno, da se ne pregreje motor. Neprekinjeno delovanje ne sme trajati več kot 3 minute. Po ohladitvi ponovno vklopite napravo.
- Stroja ne uporabljajte zunaj posode.
- Ne dotikajte se rezila, varovala rezila in premičnih delov. Prstov, las, oblačil in pripomočkov ne približujte vsem premičnim delom.
- Naprave ne perite z vodo ali vodno brizgalko. Umivanje z vodo lahko povzroči puščanje in poveča nevarnost električnega udara. Noben del ni primeren za pomivanje v pomivalnem stroju.
- Da ne poškodujete kabla, ga ne stiskajte, ukrivljajte ali prerežite na ostrih robovih. Hranite ga stran od vročih površin in odprtega ognja. Ne dovolite, da bi se rotirajoča rezila dotikala napajalnega kabla.
- Napajalni kabel izvlcite tako, da ne bo prišlo do nenamernega vlečenja ali prevračanja.
- Stroja ne čistite ali shranjujte, če ni popolnoma ohlajen.
- **Nevarnost poškodb!** Pri rokovanju z ostrimi rezili med čiščenjem bodite previdni.
-  Ta naprava je razvrščena v razred zaščite II.

Namen uporabe

- Ta naprava je namenjena za profesionalno uporabo.
- Ta naprava je namenjena izključno stiskanju, mešanju, mešanju in čiščenju primernih mehkih sestavin v posodi. Vsaka drugačna uporaba lahko

- povzroči poškodbe naprave ali telesne poškodbe.
- Upravljanje naprave za kakršen koli drug namen se šteje za zlorabo naprave. Uporabnik je izključno odgovoren za neprimerno uporabo naprave.

Glavni deli naprave

1. Stikalo za vklop/izklop : Pritisnite in držite za neprekinjeno delovanje; za zaustavitev delovanja spustite gumb.
2. Povečanje nastavitve hitrosti + :
Povečajte hitrost med 1 in 6
3. Nastavitev nižje hitrosti - :
Zmanjšanje hitrosti med 1 in 6
4. LCD-prikazovalnik: Za prikaz nastavitve hitrosti
5. Ročaj
6. Odprtine za zračenje
7. Odstranljivi mešalni del
8. Rezilo
9. Ščitnik rezila
10. Glavna enota z motorjem



Priprava pred uporabo

- Odstranite vso zaščitno ovojnino in ovojnino.
- Preverite, ali je naprava popolna in ali je poškodovana med prevozom. V primeru nepopolne dobave ali poškodb se takoj obrnite na dobavitelja. Naprave NE uporabljajte. (Glejte ==> Garancija).

- Pred uporabo očistite napravo (glejte ==> Čiščenje in vzdrževanje).
- Prepričajte se, da je naprava povsem suha.
- Priprava sestavin hrane za pripravo.

SL

Pred uporabo

- Pred uporabo natančno in pozorno preberite ta priročnik.
- Prepričajte se, da je naprava postavljena v suh prostor brez ovir, ki bi ovirale delovanje naprave.

- Preverite, ali se električno napajanje ujema z napisno ploščico na napravi.
- Prepričajte se, da je mešalni del (7) čvrsto nameščen z glavnim ohišjem z delom motorja (10).

Prevoz

- Naprave ne premikajte med delovanjem. Ko se premaknete na drugo mesto, izključite napravo.

- Ko se odmaknete, držite ročaj na napravi.

Delovanje

Vedno upoštevajte naslednje varnostne napotke!

- Preden sestavite napravo z mešalnim delom (7), se vedno prepričajte, da je ta izključena iz napajanja.
- Nikoli ne vstavljajte rok v posodo za hrano (ni priložena). Vedno uporabljajte lesene ali plastične lopatice in samo, ko naprava ne deluje.

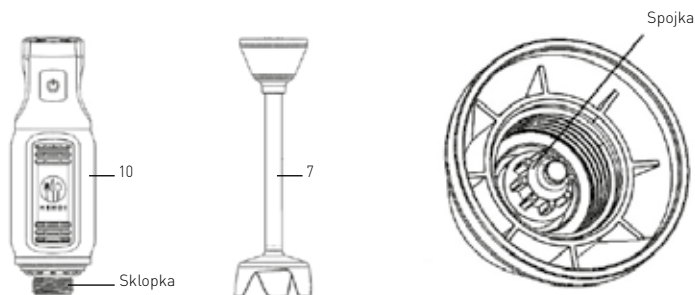
- Naprave ne uporabljajte brez hrane v posodi ali s trdimi živili, vročimi tekočinami, težkim testom itd., da preprečite pregrevanje.
- **OPOZORILO!** Takoj po uporabi izključite napravo iz napajanja.



Sestavljanje/razstavljanje priključkov

Sestavljanje/razstavljanje naprave se izvede, ko je naprava izključena in izključena iz napajanja.

Glavna enota (10) in mešalni del (7):



Razstavljanje:

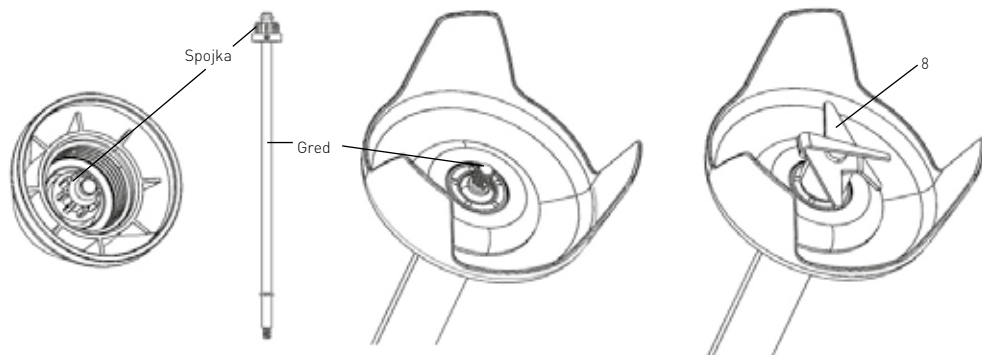
1. Držite glavno enoto (10) in privijte mešalni del (7) v smeri urinega kazalca, dokler ni popolnoma odstranjena.

Sklop:

1. Poravnajte spojko mešalnega dela (7) s sklopko glavne enote (10).
2. Mešalni del (7) privijajte v nasprotni smeri urinega kazalca, dokler ni popolnoma privit.

Mešalni del (7) in rezilo (8):

BODITE PREVIDNI! Pri razstavljanju nosite zaščitne rokavice (niso priložene).



Razstavljanje:

1. Primite spojko mešalnega dela (7) in privijte rezilo (8) v nasprotni smeri urinega kazalca, dokler ni popolnoma odstranjeno.
2. Držite mešalni del (7) in izvlecite gred.

Sklop:

1. Vstavite gred v mešalni del (7), dokler ni popolnoma vstavljena.
2. Primite spojko mešalnega dela (7) in privijte rezilo v smeri urinega kazalca, dokler ni popolnoma privita.

Primerno za:	<ul style="list-style-type: none"> • mešanje sokov in mlečnih napitkov • Mešanje mehkih sestavin (npr. palačinke ali majoneze). • Mešanje zelenjave v juho (npr. korenje itd.)
Priprava:	<ul style="list-style-type: none"> • Olupite ali posolite hrano in jo narežite na majhne kose. • Živilo položite v ustrezen vsebnik s prostornino 1~4 litrov.
Najdaljši čas neprekinjenega delovanja	3 minute, da preprečite pregrevanje motorja. Po ohladitvi ponovno vklopite napravo.

- Ko je vtič priključen na napajanje, se na zaslonu LCD (4) prikaže »3«.
- Del za mešanje (7) spustite v posodo za živila (ni priložena). Preden zaženete napravo, rezilo (8) popolnoma potopite v sestavine. **POZORNOST:** Mešalnega dela (7) ne smete potapljati nad oznako **Max**.
- Z eno roko trdno držite glavno enoto (10), z drugo roko pa mešalno posodo.
- Pritisnite in držite tipko za VKLOP/IZKLOP (1), naprava začne mešati neprekinjeno.
- Sestavine hrane z nežnim gibom navzgor in navzdol nežno zmešajte.
- Da preprečite škropljenje hrane, med delovanjem naprave ne dvigujte iz sestavin.
- Izberite hitrost rezila tako, da med delovanjem pritisnete gumb + (2) ali - (3) (razpon hitrosti: od 1 do 6). Hitrost rezil se prikaže na LCD zaslonu (4). **Opomba:** Pri hkratni izbiri hitrosti rezila vam ni treba pritiskati gumba za VKLOP/IZKLOP (1).
- Po zaključenem delovanju spustite tipko za VKLOP/IZKLOP (1), da izklopite napravo.
- Počakajte, da se rezilo (8) popolnoma ustavi. Nato ga izključite iz električnega omrežja.
- Glavno enoto (10) obrnite v smeri urnega kazalca, da za čiščenje razstavite mešalni del (7). **Opomba:**
 1. Pritisnite in zadržite gumb za zmanjšanje in povečanje + (2) ali - (3) za hitro nastavitev.
 2. Privzeta hitrost rezila bo nastavljena na "3", ko ga priključite.

SL

Čiščenje in vzdrževanje

Pozor: Napravo vedno izključite iz električne vtičnice in pustite, da se pred čiščenjem in razstavljanjem mešalnega dela (7) povsem ohladi.

Čiščenje

- Odstranite vse ovire v bližini rezila.
 - Mešalno ročico in zvon postavite v primerno posodo s čisto vodo in vklopite za nekaj sekund. Nikoli ne potapljajte gredi nad oznako Max.
 - Motorne enote ali ročaja ne potapljajte v vodo, čistite z vlažno krpo ali gobico.
- OPOZORILO:** Po čiščenju rezila vedno temeljito posušite, da preprečite nastajanje madežev rje.

Priporočeni postopek čiščenja:

Deli	Čiščenje izdelka	Pogostost
Glavna enota z motorjem (10)	<ul style="list-style-type: none"> • Nikoli ne potapljajte tega dela v vodo ali druge tekočine. • Z vlažno krpo z nekaj detergenta in vode dobro sperite, razkužite in posušite. 	Očistite po vsaki uporabi
Del za mešanje (7)	<ul style="list-style-type: none"> • Očistite ga s toplo vodo in blagim čistilnim sredstvom. Odstranljivega mešalnega dela (7) ne potapljajte nad oznako Max. • Pred ponovno uporabo osušite vse dele. 	
Rezilo (8)	<ul style="list-style-type: none"> • Opozorilo! Nevarnost poškodbe! Pri čiščenju rezil bodite zelo previdni. • Očistite ga s toplo vodo in blagim čistilnim sredstvom. • Po čiščenju jih temeljito posušite. 	



Shranjevanje

- Pred shranjevanjem vedno preverite, ali je bila naprava izključena iz električne vtičnice in povsem ohlajena.
- Napravo hranite v hladnem, čistem in suhem prostoru in zunaj dosega otrok.

Odpravljanje težav

Če naprava ne deluje pravilno, v spodnji razpredelnici preverite rešitev. Če težave še vedno ne morete rešiti, se obrnite na dobavitelja/ponudnika storitev.

Težave	Možni vzroki	Možna rešitev
Naprava se ne vklopi	Napajalni vtič ni pravilno priključen na ustrezno napajanje.	Preverite, ali je vtič pravilno vtaknjen v ustrezno električno vtičnico.
	Tipka za VKLOP/IZKLOP (1) ni pritisnjena.	Pritisnite in držite tipko za VKLOP/IZKLOP (1) za vklop naprave.
Nenormalni zvoki med obdelavo	Mešalni del (7) ni pravilno priključen.	Znova razstavite in sestavite mešalni del (7).
Naprava ne deluje	Vklopljene so naprave za pregrevanje.	Pustite, da se naprava pred ponovnim vklopom ohladi.
Naprava se pregreva.	delovanje nadure;	Spustite gumb za VKLOP/IZKLOP in napravo izklopite ter počakajte 10 minut, da se motor ohladi.

Tehnične specifikacije

Št. izdelka: 222157

Delovna napetost in frekvenca: 230V~ / 50Hz

Nazivna vhodna moč: 250W

Razred zaščite: Razred II 

Vodoodporen razred zaščite: IP23

Mera: približno 71 x 71 x (V) 444 mm

Neto teža: približno 1,6 kg

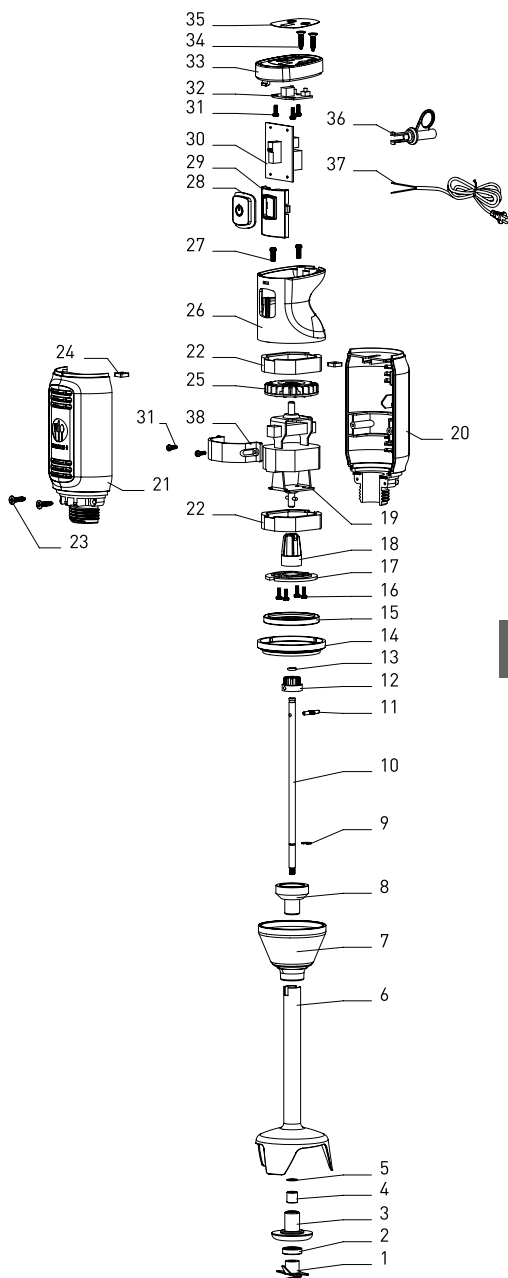
Hitrost vrtenja (vrt./min): približno od 6.600 do 13.500

Raven hrupa: < 85dB(A)

Opomba: Tehnične specifikacije se lahko spremenijo brez predhodnega obvestila.

Seznam delov za 222157

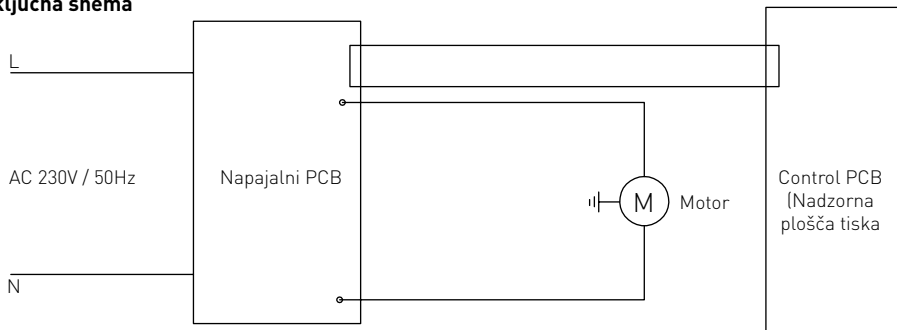
Št. dela	Ime dela	Količina
1	Sklop titanovih rezil	1
2	Tesnilni obroč gredi rezila	1
3	Pritrjevanje puše	1
4	Ležaj	1
5	Jeklen obroč	1
6	Gred	1
7	Glava gredi	1
8	Pokrov gredi za namestitev	1
9	E-obroč za oblikovanje	1
10	Gred rezila	1
11	Zatič gredi rezila	1
12	Gred zobate spojke	1
13	Protivibracijski tesnilni obroček	1
14	Prevlečeni obroček	1
15	Protivibracijski obroč za motor	1
16	Vijak za motor	4
17	Ploščica za pritrditev motorja	1
18	Objemka zobate spojke	1
19	Motor	1
20	Desno ohišje	1
21	Levo ohišje	1
22	Pokrov za vpijanje motorja	2
23	Vijak za pritrditev motorja	2
24	Desna in leva pritrdilna matica	2
25	Ventilator motorja	1
26	Zgornji del ohišja	1
27	Montažni vijak za vse omare	2
28	Guma gumba za vklop/izklop	1
29	Gumb nosilni okvir	1
30	Napajalna ploščica	1
31	Vijak za namestitev	5
32	Krmilna ploščica	1
33	Zgornji pokrov	1
34	Vijak za pritrditev zgornjega dela ohišja	2
35	Nadzorna nalepka	1
36	Sproščanje sledenja	1
37	Napajalni kabel z vtičem	1
38	Ogrodje za pritrditev motorja	1



SL



Priključna shema



Garancija

Okvare, ki vplivajo na funkcionalnost naprave in se pojavijo v enem letu po nakupu, se popravijo s brezplačnim popravilom ali zamenjavo, če je bila naprava uporabljena in se je ohranila v skladu z navodili in ni bila zlorabljena ali napačno uporabljena. To ne vpliva na vaše zakonske pravice. Če je za napravo veljala garancija, navedite, kje in kdaj

je bila kupljena, in priložite dokazilo o nakupu (npr. račun).

Skladno z našo politiko nenehnega razvoja izdelkov si pridržujemo pravico do spremembe izdelka, embalaže in specifikacij dokumentacije brez predhodnega obvestila.

Odstranjevanje in okolje

Med odstranjevanjem naprave ne odvrzite izdelka skupaj z drugimi gospodinjskimi odpadki. Namesto tega ste sami odgovorni za odstranjevanje odpadne opreme na določeno zbirno mesto. Neupoštevanje tega pravila lahko kaznuje v skladu z veljavnimi predpisi o odlaganju odpadkov. Ločeno zbiranje in recikliranje vaše odpadne opreme v času odlaganja bo pomagalo ohraniti naravne vire in zagotoviti,

da se reciklira na način, ki varuje zdravje ljudi in okolje. Za več informacij o tem, kam lahko odložite odpadke za recikliranje, se obrnite na lokalno zbirno podjetje za odpadke. Proizvajalci in uvozniki ne prevzemajo odgovornosti za recikliranje, obdelavo in ekološko odstranjevanje, bodisi neposredno bodisi prek javnega sistema.

EN: Declaration of conformity / DE: Konformitätserklärung / NL: Conformiteitsverklaring / PL: Deklaracja zgodności / FR: Déclaration de conformité / IT: Dichiarazione di conformità / RO: Declarație de conformitate / RU: Декларация соответствия / GR: Δήλωση συμμόρφωσης / HR: Izjava o sukladnosti / CZ: Prohlášení o shodě / HU: Megfelelősségi nyilatkozat / UA: Декларація про відповідність / EE: Vastavusdeklaratsioon / LV: Atbilstības deklarācija / LT: Atitikties deklaracija / PT: Declaração de conformidade / ES: Declaración de conformidad / SK: Vyhlásenie o zhode / SL: Izjava o skladnosti

EN: Hendi BV hereby declares under his own responsibility that the product: / DE: Hendi BV erklärt hiermit in eigener Verantwortung, dass das Produkt: / NL: Hierbij verklaart Hendi BV onder eigen verantwoordelijkheid dat het product: / PL: Firma Hendi BV niniejszym oświadcza na własną odpowiedzialność, że produkt: / FR: Hendi BV déclare par la présente sous sa propre responsabilité que le produit: / IT: Hendi BV dichiara sotto la propria responsabilità che il prodotto: / RO: Hendi BV declară pe propria răspundere că produsul: / RU: Hendi BV настоящим заявляет под свою ответственность, что продукт: / GR: Ο Hendi BV δηλώνει με δική του ευθύνη ότι το προϊόν: / HR: Hendi BV ovime izjavljuje na vlastitu odgovornost da proizvod: / CZ: Společnost Hendi BV tímto prohlašuje na svou výhradní odpovědnost, že výrobek: / HU: A Hendi BV ezennel saját felelősségére kijelenti, hogy a termék: / UA: Hendi BV цим заявляє під власну відповідальність, що продукт: / EE: Hendi BV deklareerib omal vastutusel, et toode: / LV: Hendi BV ar šo paziņo uz savu atbildību, ka produkts: / LT: Čia Hendi BV patvirtina, prisimindama atsakomybę, kad šis gaminys: / PT: A Hendi BV declara sob a sua própria responsabilidade que o produto: / ES: Hendi BV declara bajo su propia responsabilidad que el producto: / SK: Spoločnosť HENDI BV týmto prehlasuje na svoju výhradnú zodpovednosť, že výrobok: / SL: Hendi BV izjavlja, da je izdelek:

EN: Product number: / DE: Produktnummer: / NL: Productnummer: / PL: Numer produktu: / FR: Numéro de produit: / IT: Numero del prodotto: / RO: Numărul produsului: / RU: Номер продукта: / GR: Αριθμός προϊόντος: / HR: Broj proizvoda: / CZ: Číslo výrobku: / HU: Termék szám: / UA: Номер виробу: / EE: Tootenumber: / LV: Izstrādājuma numurs: / LT: Gaminio numeris: / PT: Número do produto: / ES: Número de producto: / SK: Číslo výrobku: / SL: Številka izdelka: 222157

EN: Product name: / DE: Produktname: / NL: Productnaam: / PL: Nazwa produktu: / FR: Nom du produit: / IT: Nome del prodotto: / RO: Numele produsului: / RU: Наименование товара: / GR: Ονομασία προϊόντος: / HR: Ime proizvoda: / CZ: Název výrobku: / HU: Termék név: / UA: Назва продукту: / EE: Toote nimi: / LV: Produkta nosaukums: / LT: Gaminio pavadinimas: / PT: Nome do produto: / ES: Nombre del producto: / SK: Názov výrobku: / SL: Ime izdelka: EN: Stick blender / DE: Stabmixer / NL: Staafmixer / PL: Mikser ręczny / FR: Mixeur plongeur / IT: Frullatore a immersione / RO: Blender stick / RU: Погружной блендер / GR: Ρομβομπλέντερ / HR: Štapi blender / CZ: Tyčový mixér / HU: Botmixer / UA: Палковий блендер / EE: Pulgablender / LV: Stick blenderis / LT: Stick blenderis / PT: Liquidificador de mão / ES: Batidora de mano / SK: Tyčový mixér / SL: Palični mešalnik

EN: Brand: / DE: Marke: / NL: Merk: / PL: Marka: / FR: Marque: / IT: Marca: / RO: Marca: / RU: Марка: / GR: Μάρκα: / HR: Marka: / CZ: Značka: / HU: Márka: / UA: Бренд: / EE: Kaubamärk: / LV: Zīmols: / LT: Prekės ženklas / PT: Marca: / ES: Marca: / SK: Značka: / SL: Znamka: Hendi

EN: Meets the essential requirements as described in: / DE: Erfüllt die grundlegenden Anforderungen wie beschrieben in: / NL: Voldoet aan de essentiële vereisten zoals beschreven in: / PL: Spełnia podstawowe wymagania opisane w: / FR: Répond aux exigences essentielles décrites dans: / IT: Soddisfa i requisiti essenziali descritti in: / RO: Îndeplinește cerințele esențiale descrise în: / RU: Отвечает основным требованиям, описанным в: / GR: Πληροί τις βασικές απαιτήσεις όπως περιγράφεται στο: / HR: Ispunjava osnovne zahtjeve kako je opisano u: / CZ: Splňuje základní požadavky popsané v: / HU: Megfelel az alapvető követelményeknek az alábbiak szerint: / UA: Відповідає основним вимогам, описаним у: / EE: Vastab järgmistes põhinõuetes kirjeldatud nõuetele: / LV: Atbilst pamatprasībām, kā aprakstīts: / LT: Atitinka esminius reikalavimus, aprašytus: / PT: Cumpre os requisitos essenciais descritos em: / ES: Cumple los requisitos esenciales descritos en: / SK: Splňa základné požiadavky opísané v: / SL: Izpolnjuje bistvene zahteve, opisane v: 2006/42/EC
2014/30/EU
2011/65/EU & 2015/863/EU



EN: Has been engineered and manufactured in conformity to harmonized standards:

DE: Wurde in Übereinstimmung mit harmonisierten Normen entwickelt und hergestellt: /

NL: Is ontworpen en vervaardigd in overeenstemming met geharmoniseerde normen: /

PL: Został zaprojektowany i wyprodukowany zgodnie z normami zharmonizowanymi: /

FR: A été conçu et fabriqué conformément aux normes harmonisées: /

IT: È stato progettato e prodotto in conformità a norme armonizzate: /

RO: A fost proiectat și fabricat în conformitate cu standardele armonizate: /

RU: Был разработан и изготовлен в соответствии с гармонизированными стандартами: /

GR: Έχει κατασκευαστεί και κατασκευαστεί σύμφωνα με εναρμονισμένα πρότυπα: /

HR: Projektiran je i proizveden u skladu s uskladenim standardima: /

CZ: Byl navržen a vyroben v souladu s harmonizovanými normami: /

HU: A harmonizált szabványoknak megfelelően lett megtervezve és gyártva: /

UA: Розроблено та виготовлено відповідно до гармонізованих стандартів: /

EE: On konstrueeritud ja valmistatud kooskõlas harmoneeritud standarditega: /

LV: Ir konstruēts un izgatavots atbilstoši harmonizētajiem standartiem: /

LT: Buvo sukonstruotas ir pagamintas, laikantis harmonizuotų standartų: /

PT: Foi concebido e fabricado em conformidade com as normas harmonizadas: /

ES: Ha sido diseñado y fabricado de conformidad con normas armonizadas: /

SK: Bol navrhnutý a vyrobený v súlade s harmonizovanými normami: /

SL: Je bila izdelana in izdelana v skladu z usklajenimi standardi:

EN: Meets the requirements as described in regulations: /

DE: Erfüllt die Anforderungen wie in den Vorschriften beschrieben: /

NL: Voldoet aan de eisen zoals beschreven in regelgeving: /

PL: Spełnia wymagania opisane w przepisach: /

FR: Répond aux exigences décrites dans les réglementations: /

IT: Soddisfa i requisiti descritti nelle normative: /

RO: Îndeplinește cerințele descrise în reglementări: /

RU: Отвечает требованиям, изложенным в нормах: /

GR: Πληροί τις απαιτήσεις όπως περιγράφεται στους κανονισμούς: /

HR: Uдовoljava zahtjeva opisanim u propisima: /

CZ: Splňuje požadavky popsané v předpisech: /

HU: Megfelel az előírásokban leírt követelményeknek: /

UA: Відповідає вимогам, описаним у положеннях: /

EE: Vastab eeskirjades kirjeldatud nõuetele: /

LV: Atbilst regulās aprakstītajām prasībām: /

LT: Atitinka reikalavimus, aprašytus reglamentuose: /

PT: Cumpre os requisitos descritos nos regulamentos: /

ES: Cumple con los requisitos descritos en las regulaciones: /

SK: Splňa podmienky uvedené v predpisoch: /

SL: Izpolnjuje zahteve, opisane v predpisih:

EN: Meets the requirements as described in resolutions: /

DE: Erfüllt die Anforderungen wie in den Verordnungen beschrieben: /

NL: Voldoet aan de vereisten zoals beschreven in resoluties: /

PL: Spełnia wymagania opisane w uchwałach: /

FR: Répond aux exigences décrites dans les résolutions: /

IT: Il prodotto soddisfa i requisiti specificati nelle risoluzioni: /

RO: Înrunește cerințele descrise în regulamente: /

RU: Соответствует требованиям, описанным в решениях: /

GR: Πληροί τις απαιτήσεις όπως περιγράφεται στις προδιαγραφές: /

HR: Ispunjava zahtjeve kako je opisano u rješenjima: /

CZ: Splňuje požadavky popsané v usneseních: /

HU: Megfelel a határozatokban leírt követelményeknek: /

UA: Відповідає вимогам, описаним у постановках: /

EE: Vastab eraldusvõimetes kirjeldatud nõuetele: /

LV: Atbilst instrukcijās aprakstītajām prasībām: /

LT: Atitinka reikalavimus, aprašytus rezoliucijose: /

PT: Cumpre os requisitos descritos nas resoluções: /

ES: Cumple con los requisitos descritos en las resoluciones: /

SK: Splňa požiadavky popísané v predpisoch: /

SL: Izpolnjuje zahteve, opisane v razčlenitvah:

EN 55014-1:2017

EN 55014-2:2015

EN IEC 61000-3-2:2019

EN 61000-3-3:2013+ A1:2019

EN 12853:2001+A1:2010

EN 60204-1:2006+A1:2009/AC:2010

EN ISO 12100:2010

1907/2006/EC

CM/Res(2013)9



EN: Technical documentation available at the company's headquarters: /
DE: Technische Dokumentation am Hauptsitz des Unternehmens erhältlich: /
NL: Technische documentatie beschikbaar op het hoofdkantoor van het bedrijf: /
PL: Dokumentacja techniczna dostępna w siedzibie firmy: /
FR: Documentation technique disponible au siège de l'entreprise: /
IT: Documentazione tecnica disponibile presso la sede dell'azienda: /
RO: Documentație tehnică disponibilă la sediul companiei: /
RU: Техническая документация доступна в штаб-квартире компании: /
GR: Τεχνική τεκμηρίωση διαθέσιμη στα κεντρικά γραφεία της εταιρείας: /
HR: Tehnička dokumentacija dostupna u sjedištu tvrtke: /
CZ: Technická dokumentace k dispozici v sídle společnosti: /
HU: A társaság székhelyén elérhető műszaki dokumentáció: /
UA: Технічна документація, доступна в головному офісі компанії: /
EE: Ettevõtte peakorteris kättesaadavad tehnilised dokumendid: /
LV: Tehniskā dokumentācija, kas pieejama uzņēmuma galvenajā mītnē: /
LT: Techninė dokumentacija prieinama kompanijos būstinėje: /
PT: Documentação técnica disponível na sede da empresa: /
ES: Documentación técnica disponible en la sede de la empresa: /
SK: Technická dokumentácia k dispozícii v sídle spoločnosti: /
SL: Tehnična dokumentacija je na voljo na sedežu podjetja:

Hendi B.V.
Innovatielaan 6
6745 XW De Klomp, The Netherlands

De Klomp, 12-07-2021

R.E. Vooijs
Purchasing Manager





HENDI

Tools for Chefs

Hendi B.V.

Innovatielaan 6

6745 XW De Klomp, The Netherlands

Tel: +31 317 681 7040

Email: info@hendi.eu

Hendi Polska Sp. z o.o.

ul. Firmowa 12

62-023 Robakowo, Poland

Tel: +48 61 658 7000

Email: info@hendi.pl

Hendi Food Service Equipment GmbH

Ehring 15

5112 Lamprechtshausen, Austria

Tel: +43 6274 200 10 0

Email: office.austria@hendi.eu

Hendi Food Service Equipment Romania S.R.L.

Str. 13 decembrie 94A, Hala 14

Braşov, 500164, Romania

Tel: +40 268 320330

Email: office@hendi.ro

PKS Hendi South East Europe SA

5 Metsovou Str.

18346 Moschato, Athens, Greece

Tel: +30 210 4839700

Email: info@pks-hendi.com

Hendi Italia S.R.L.

Via Leonardo da Vinci 4

39100 Bolzano (BZ), Italy

Tel: +39 800 727 438

Email: office.italy@hendi.eu

Hendi HK Ltd.

1208, 12/F Exchange Tower

33 Wang Chiu Road, Kowloon Bay, Hong Kong

Tel: +852 2154 2618

Email: info-hk@hendi.eu

Find Hendi on internet:

www.hendi.eu

www.facebook.com/HendiToolsforChefs

www.linkedin.com/company/hendi-food-service-equipment-b.v.

www.youtube.com/HendiEquipment

- Changes, printing and typesetting errors reserved.
- Änderungen, Druck- und Satzfehler vorbehalten.
- Wijzigingen, druk- en zetfouten voorbehouden.
- Zastrzega się możliwość zmian, błędów w druku i składzie.
- Sous réserve d'erreurs de modification, d'impression et de composition.
- Con riserva di modifiche, errori di stampa e composizione.
- Rezervate modificările, tipărirea și erorile de tipărire.
- Мы оставляем за собой право вносить изменения, ошибки печати и набора.
- Επιφυλάσσονται αλλαγές, εκτύπωση και στοιχειοθεσία.
- Pridrżane su promjene, pogreške u ispisu i stanju slova.
- Změny, chyby tisku a sazby vyhrazeny.

- A változtatások, a nyomtatási és a betűzési hibák fenntartva.
- Всі права захищені щодо змін, можливі помилки друку та верстки.
- Neid juhiseid võidakse muuta ja need võivad sisaldada trükkivigu.
- Šti instrukcija var tikt mainīta, tajā tāpat var būt drukas kļūdas.
- Šios instrukcijos gali būti keičiamos, jose taip pat gali pasitaikyti spausdinimo klaidų.
- Alterações, impressão e erros de composição reservados.
- Reservado el derecho a realizar modificaciones, errores de impresión y tipografía.
- Zmeny, chyby v tlači a sadzbe vyhrazené.
- Spremembe, tiskanje in tipnastavitev napake shranjenih.